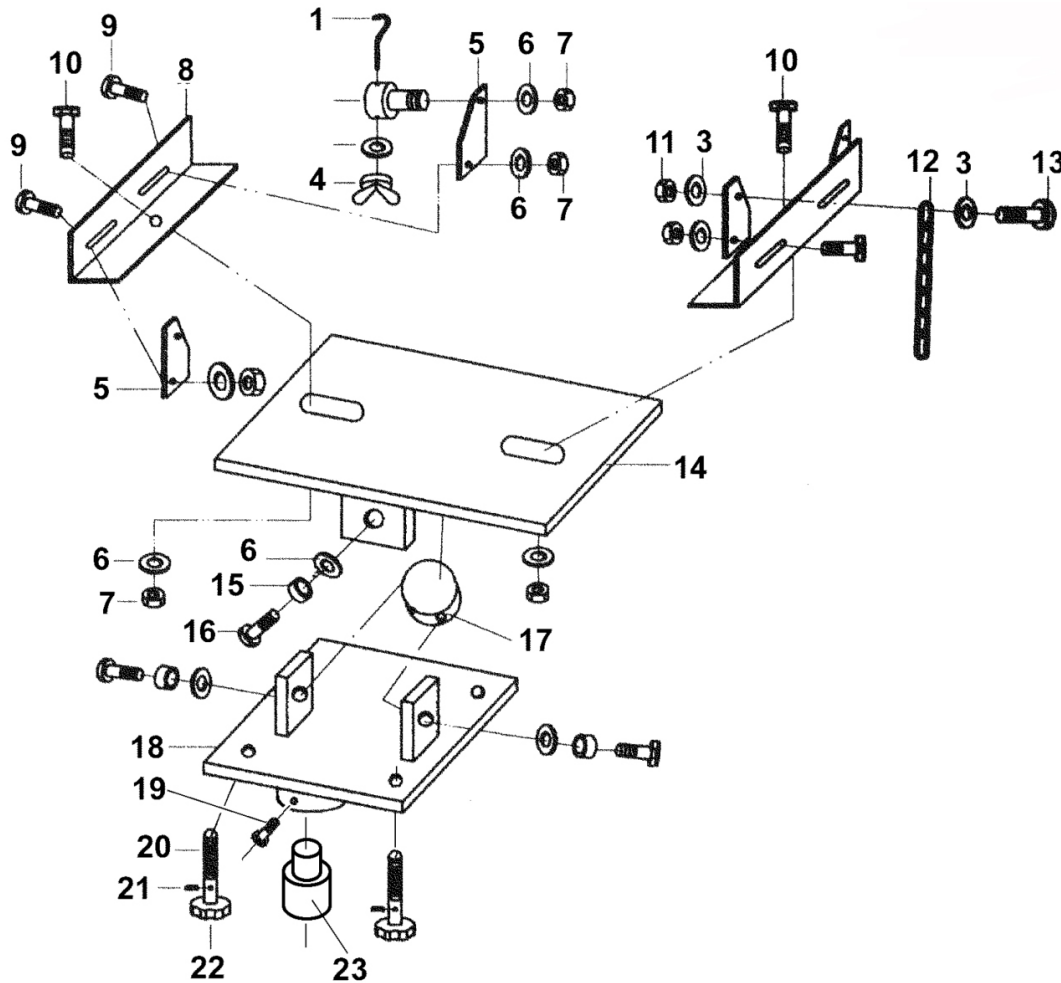


Parts Information:
Adjustable Gearbox Support 500kg
Capacity for 300TR, 300TRQ, 600TR,
600TRQ
Model No: ADT3



Item	Part No.	Description
1	ADT3.01	HOOK BOLT
2	ADT3.02	SCREW
3	FWM8.S	FLAT WASHER M8 SINGLE
4	SN8.SW	WING NUT M8 (SINGLE)
5	ADT3.05	PLATE
6	FWM10.S	FLAT WASHER M10 SINGLE
7	SN10.S	STEEL NUT M10 ZINC DIN934(SINGLE)
8	ADT3.08	BRACKET
9	SS1025.S	HEX HEAD SET SCREW M10x25mm SINGLE
10	SS1035.S	HEX HEAD SET SCREW M10x35mm SINGLE
11	SN8.S	STEEL NUT M8 ZINC DIN934 (SINGLE)
12	ADT3.12	CHAIN

Item	Part No.	Description
13	ADT3.13	BOLT
14	ADT3.14	SADDLE
15	ADT3.15	BUSH
16	SCB1025.SB	SOCKET HEAD CAP SCREW M10x25 BLACK
17	ADT3.17	CONNECTING PLATE
18	ADT3.18	BOTTOM PLATE
19	ADT3.19	SCREW
20	ADT3.20	ADJUSTABLE SCREW (C/W SPRING PIN)
21	ADT3.21	SPRING PIN M3.2 X 25
22	ADT3.22	GRIP
23	ADT3.23	ADAPTOR 30mm(M)TO 25mm

NOTE: It is our policy to continually improve products and as such we reserve the right to alter data, specifications and component parts without prior notice.

IMPORTANT: No liability is accepted for incorrect use of product.

WARRANTY: Guarantee is 12 months from purchase date, proof of which will be required for any claim.