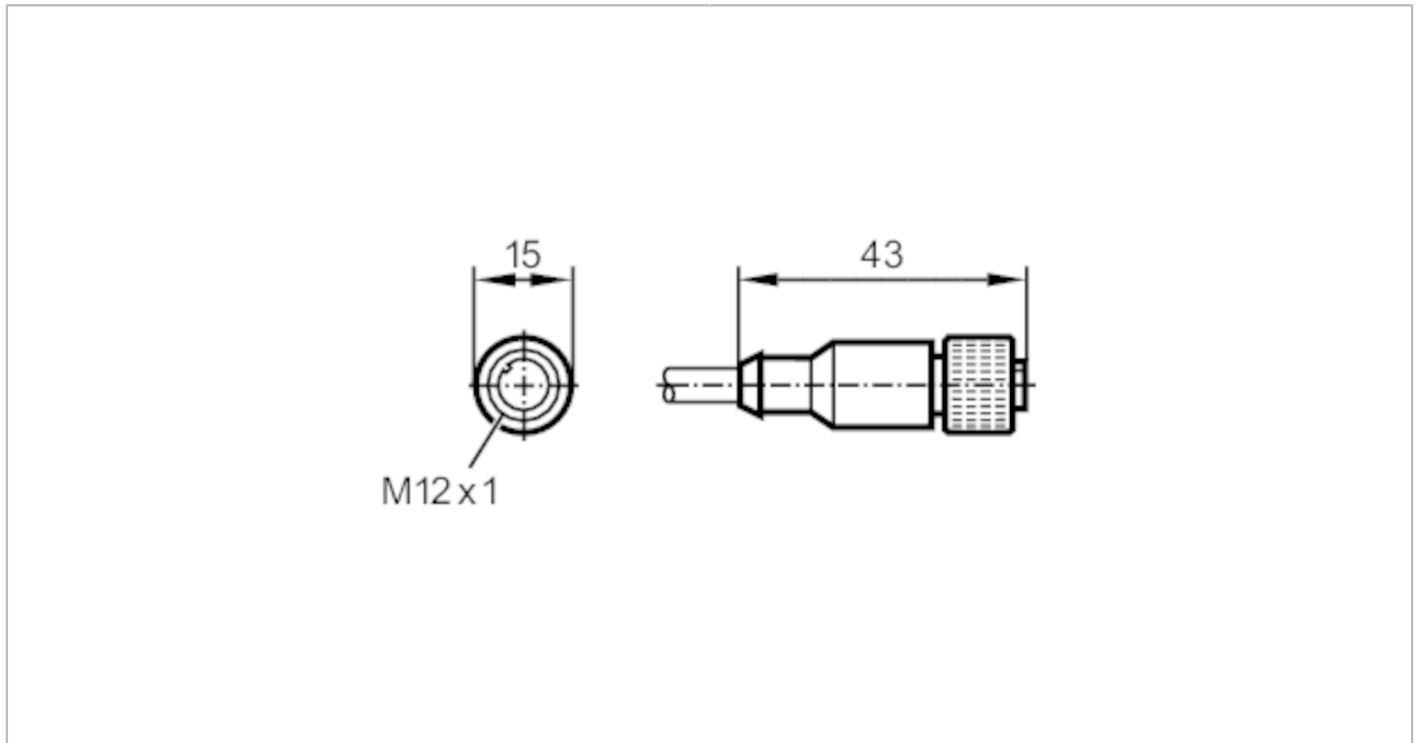


E12402



Connecting cable with socket

ADOGH080MSS0002K08



Application	
Special feature	Screened cable
Electrical data	
Operating voltage [V]	< 30 AC / < 36 DC
Protection class	III
Max. current load total [A]	2
Operating conditions	
Ambient temperature [°C]	-25...90
Protection	IP 67
Mechanical data	
Weight [g]	181.3
Dimensions [mm]	15 x 15 x 43
Materials	TPU
Material nut	brass, nickel-plated
Remarks	
Notes	For 8-pole sockets the core colours are not standardised.; Please note the wiring of the sensor and the sockets (see data sheet).
Pack quantity	1 pcs.

Electrical connection

Cable: 2 m, PUR, black, shielded; 8 x 0.25 mm² (14 x Ø 0.15 mm)

Electrical connection - socket

Connector: 1 x M12, straight; Moulded body: TPU; Locking: brass, nickel-plated; Tightening torque: 1...1.5 Nm; Shielded connection cable: screen connected

E12402

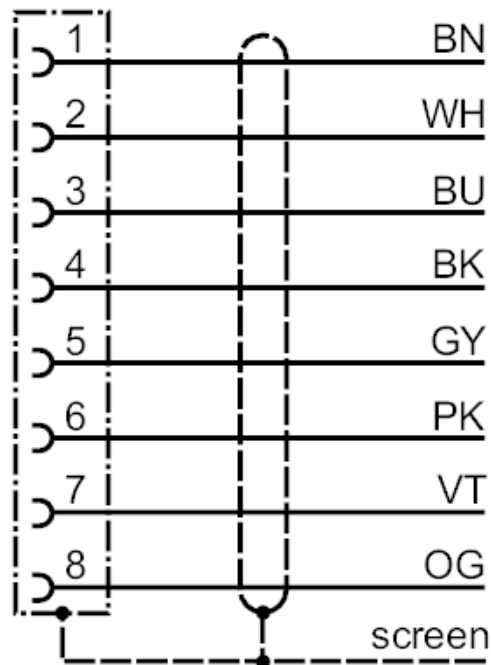


Connecting cable with socket

ADOGH080MSS0002K08



Connection



colours to DIN EN 60947-5-2

Core colours :

BK =	black
BN =	brown
BU =	blue
GY =	grey
PK =	pink
OG =	orange
VT =	lilac
WH =	white
screen =	screen