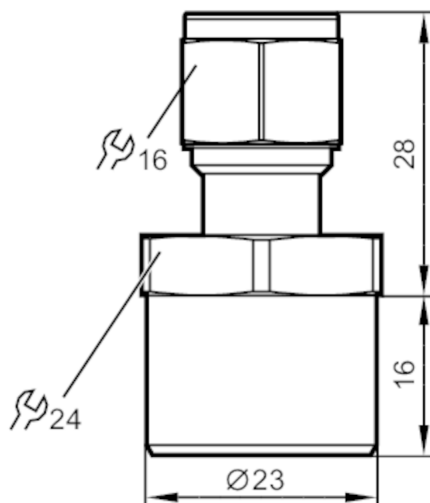


# E40269



## Adapter for E40048

COMPR. FITTING F. MOUNT. CLAMP



### Application

Installation	Progressive ring fitting
Pressure rating [bar]	1
Note on pressure rating	50 bar in case of welded installation

### Mechanical data

Weight [g]	91.5
Materials	stainless steel (1.4404 / 316L)
Sensor connection	clamp adapter Ø 8 mm
Process connection	Ø 23 mm

### Remarks

Pack quantity	1 pcs.
---------------	--------