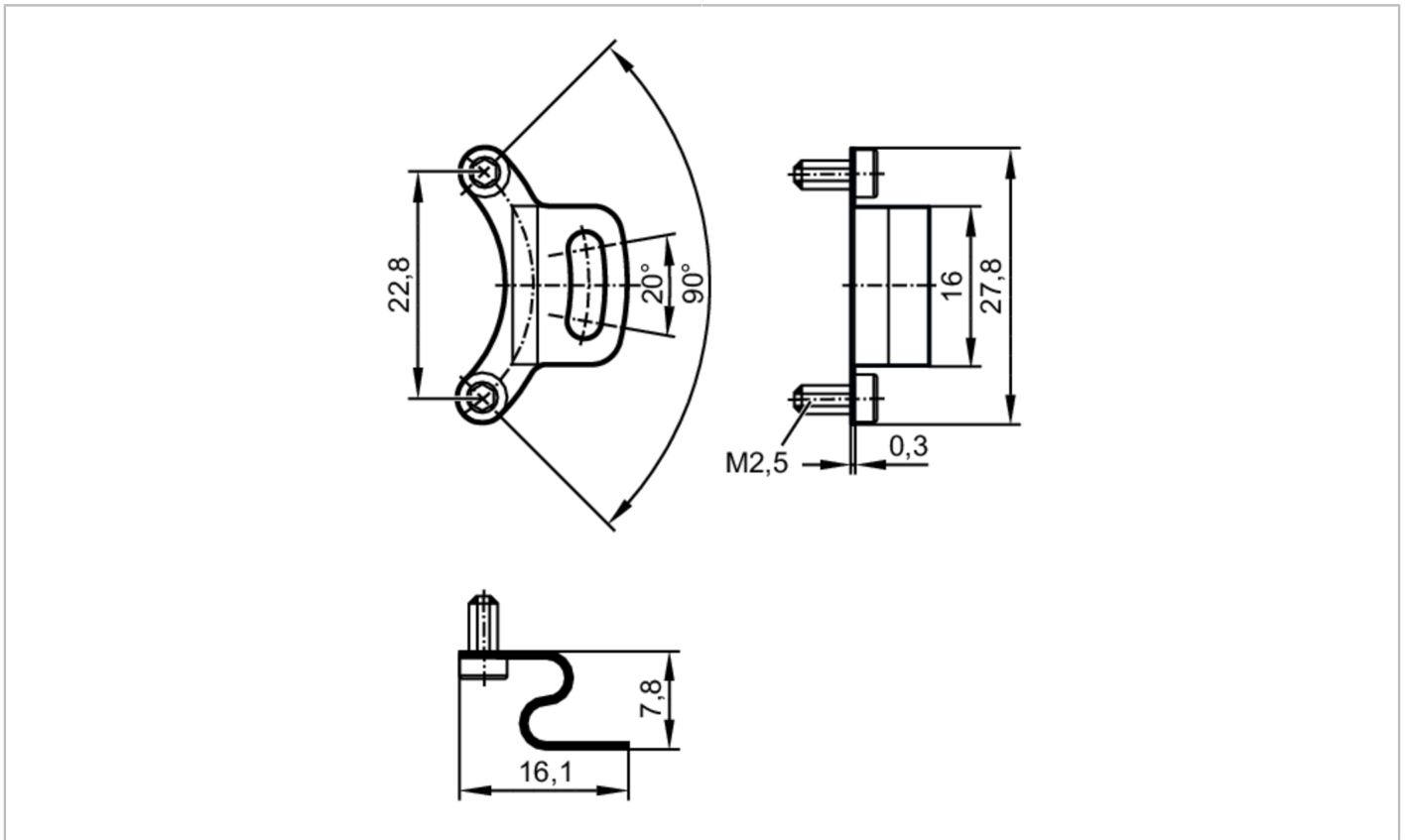


E60204



Stator coupling for encoders

STATOR COUPLING RA3



Mechanical data

Weight	[g]	5.2
Materials		stainless steel (1.4310 / 301)
Tightening torque	[Nm]	0.6

Accessories

Accessories (supplied)		socket head screws: 2 screw type: M2,5 x 0,45-6H, TX 8
------------------------	--	---

Remarks

Pack quantity		1 pcs.
---------------	--	--------