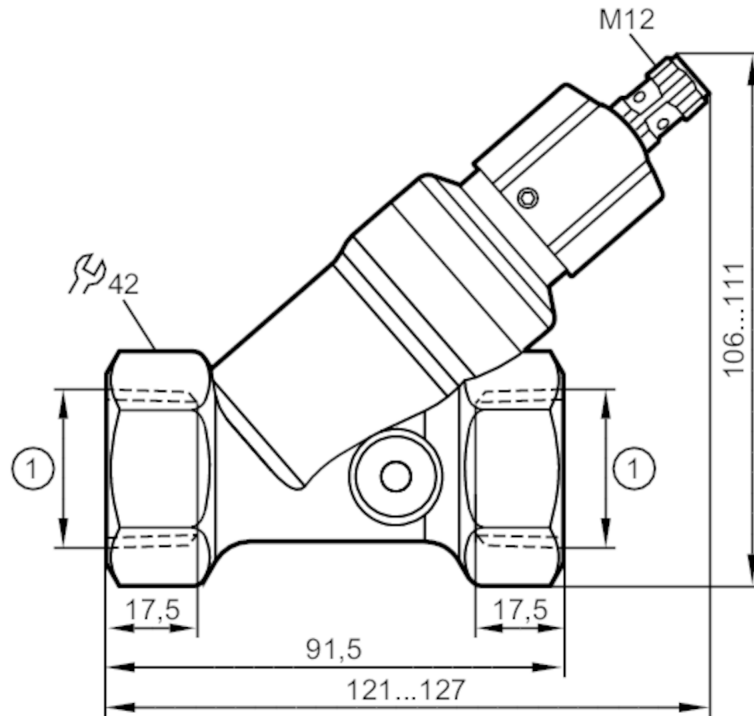


SBN346



Flow sensor with integrated backflow prevention

SBY11BF0BPKG/US



1: 1" NPT



Product characteristics

Number of inputs and outputs	Number of digital outputs: 1
Process connection	1 NPT

Application

Media	Liquids; water; glycol solutions; oils; coolants
Medium temperature [°C]	0...85
Pressure rating [bar]	25

Electrical data

Operating voltage [V]	10...30 DC; (to SELV/PELV)
Current consumption [mA]	< 15
Protection class	III
Reverse polarity protection	yes

Inputs / outputs

Number of inputs and outputs	Number of digital outputs: 1
------------------------------	------------------------------



Flow sensor with integrated backflow prevention

SBY11BF0BPKG/US

Outputs		
Total number of outputs		1
Output signal		switching signal
Electrical design		PNP
Number of digital outputs		1
Output function		normally open
Max. voltage drop switching output DC	[V]	2.5
Permanent current rating of switching output DC	[mA]	100
Short-circuit protection		yes
Overload protection		yes
Accuracy / deviations		
Repeatability		1
	[% of the final value]	
Hysteresis	[gpm]	0,8...1,58
Measuring error		± 5
	[% of the final value]	
Response times		
Response time	[s]	< 0.01
Operating conditions		
Ambient temperature	[°C]	0...60
Storage temperature	[°C]	-15...80
Protection		IP 65; IP 67
Tests / approvals		
EMC		DIN EN 61000-6-2
		DIN EN 61000-6-3
Shock resistance		20 g (11 ms)
Vibration resistance		5 g (10...2000 Hz)
MTTF	[years]	3318
Mechanical data		
Weight	[g]	921.5
Materials		brass chemically nickel-plated; PPS; aluminium anodised; PA
Materials (wetted parts)		stainless steel (1.4310 / 301); stainless steel (1.4301 / 304); PBT; brass chemically nickel-plated; PP; PPS; Polyolefin; O-ring: FKM
Process connection		1 NPT
Switching cycles mechanical		10 million
Displays / operating elements		
Display	switching status	4 x LED, yellow
Accessories		
Accessories (supplied)		Allen key
Remarks		
Remarks	Caution Do not turn the cap beyond the maximum value of the setting range. All data refer to water (20 °C).	
Pack quantity		1 pcs.

SBN346



Flow sensor with integrated backflow prevention

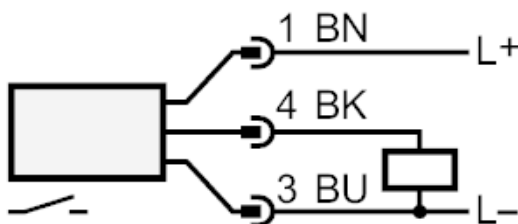
SBY11BF0BPKG/US

Electrical connection

Connector: 1 x M12



Connection



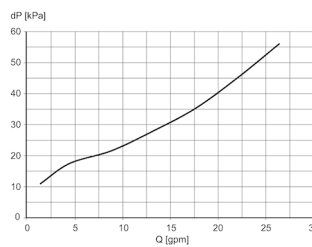
colours to DIN EN 60947-5-2

Core colours :

- BK = black
- BN = brown
- BU = blue

Diagrams and graphs

Pressure loss



dP Pressure loss
Q volumetric flow quantity