



Model number

VAZ-FK-R-YE

AS-Interface flat cable

Features

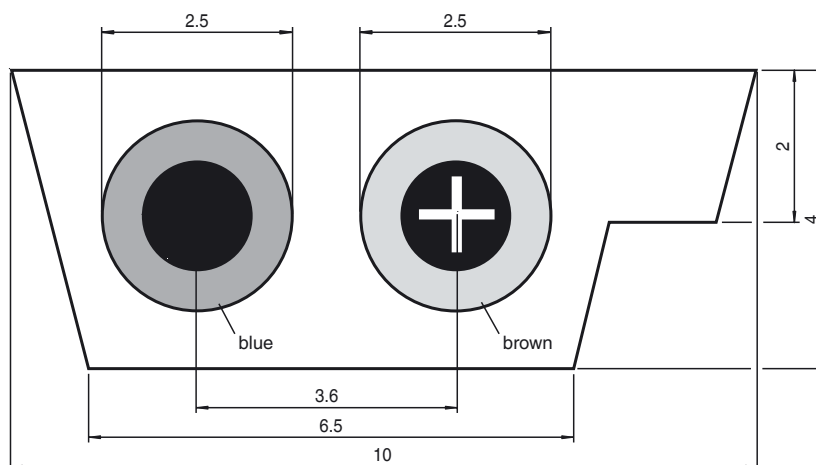
- Oil resistant
- Cable piercing technique
- Resistant to environmental influence
- Resistant to bending
- Suitable for drag chains
- Reverse polarity protected due to the shape of the cable
- Does not give off silicone
- Graduations in meters

Accessories

VAZ-FK-ED3

AS-Interface end seal for flat cable

Dimensions



Technical data

General specifications

UL File Number	E130266
----------------	---------

Electrical specifications

Nominal voltage	U_n	300 V
Current loading capacity	According to DIN VDE 0298 Part 4, Table 6, Column 4	

Ambient conditions

Conductor temperature	Operating mode: 90 °C (363 K) Short-circuit: 200 °C (473 K)
Ambient temperature	-40 ... 85 °C (-40 ... 185 °F) at standstill, -25 ... 85 °C (-13 ... 185 °F) in motion

Mechanical specifications

Core cross-section	Copper tin-plated, extra-fine wire, class 6 in accordance with DIN VDE 0295 cross-section 1.5 mm ²
Bending radius	min. permissible bend radii in accordance with DIN VDE 0298 Part 3, Table 2 Bending stress only permitted on the wide side of the cable
Tension loading	max. 50 N/mm ² on laying acc. to DIN VDE 0298 Part 3
Material	Thermoplastic Elastomer (TPE)
Core insulation	Thermoplastic Elastomer (TPE)
Cable	UL-Style 2103
Color	yellow (Similar to RAL 1012)
Drag chain suitability	
Drag chain cycles	≥ 10000000
Motion velocity	≤ 4 m/s
Traverse distance	10 m
Acceleration	≤ 4 m/s ²
Cable length	100 m
Flammability	
Cable	Flame-retardant as per IEC 60332-1 and UL 758
Note	The cable is intended for use as a bus power line in inside areas. Only cable with a black sheathing is suitable for outside use.