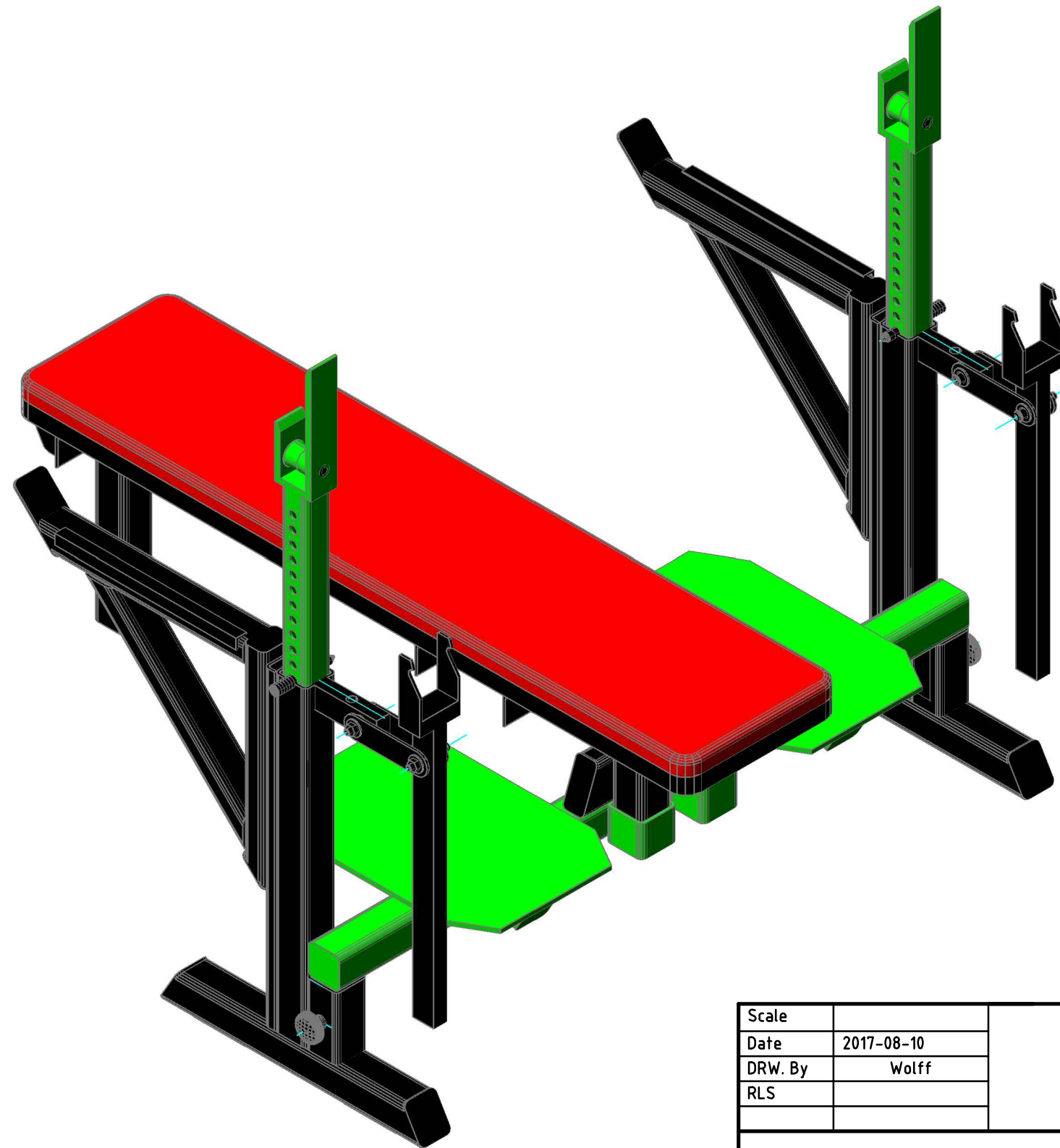
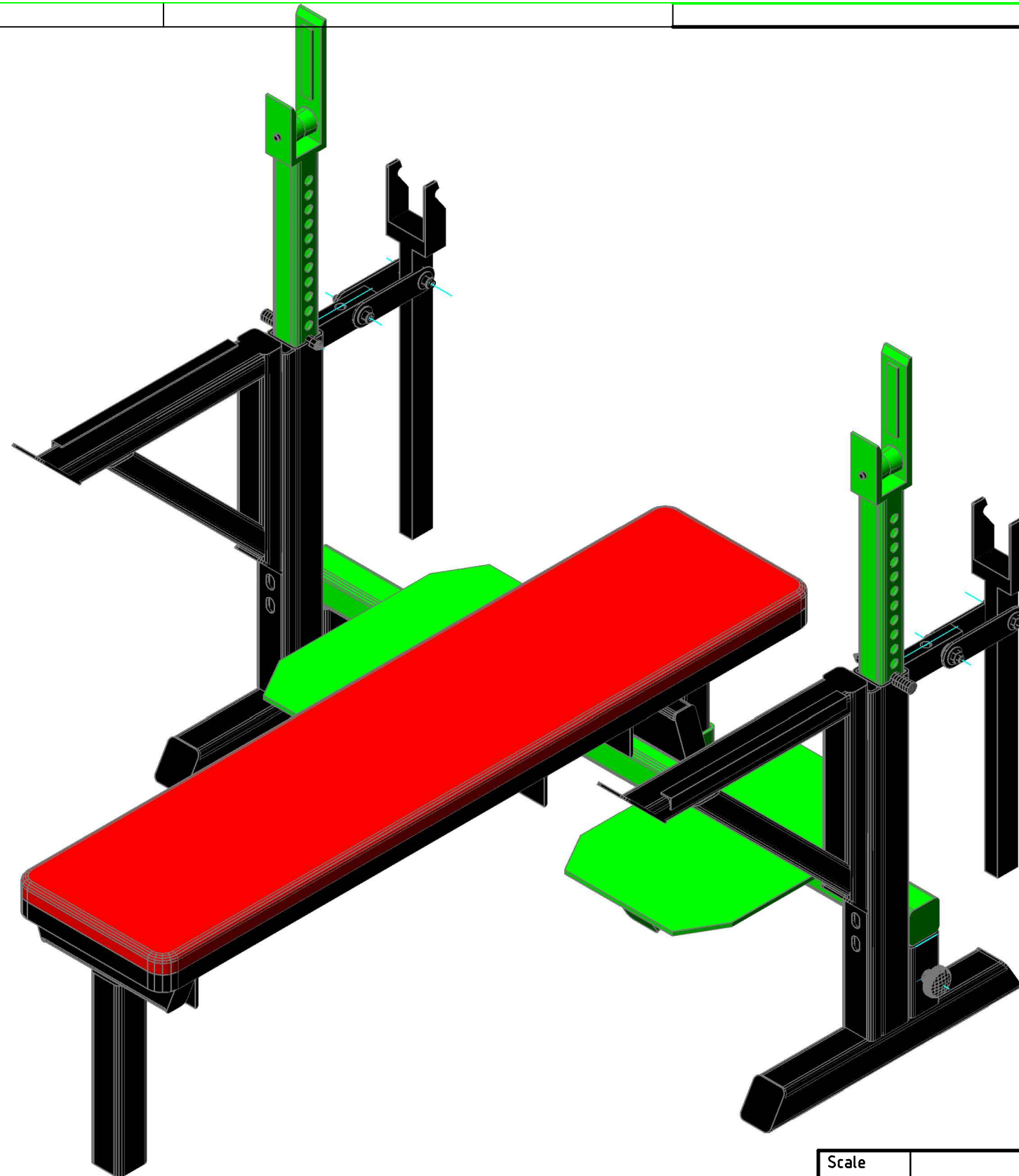


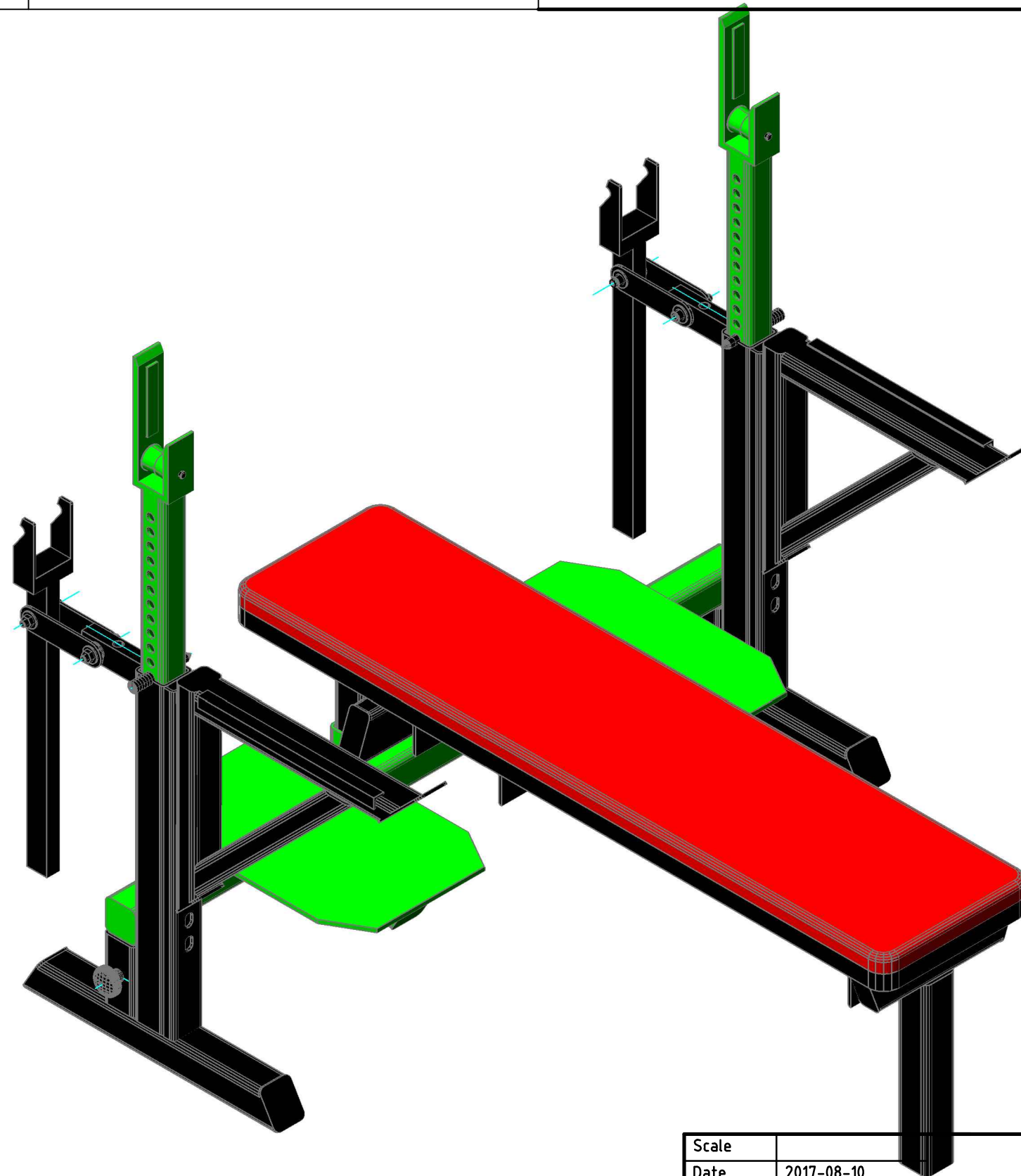
Scale		CyberFit Ltd. BP-Bench
Date	2017-08-10	
DRW. By	Wolff	
RLS		
Assembly Complete		Art.Nr. 1837302
		LEXCH.F. Draw.:
		LEXCH.TH. Draw.:
		Original:



Scale		CyberFit Ltd. BP-Bench
Date	2017-08-10	
DRW. By	Wolff	
RLS		
Assembly Drawing 1		Art.Nr. 1837302
		LEXCH.F. Draw.:
		LEXCH.TH. Draw.:
		Original:



Scale		CyberFit Ltd. <i>BP-Bench</i>
Date	2017-08-10	
DRW. By	Wolff	
RLS		
Assembly Drawing 2		Art.Nr. 1837302
		LEXCH.F. Draw.:
		LEXCH.TH. Draw.:
		Original:



Scale	
Date	2017-08-10
DRW. By	Wolff
RLS	

CyberFit Ltd.
BP-Bench

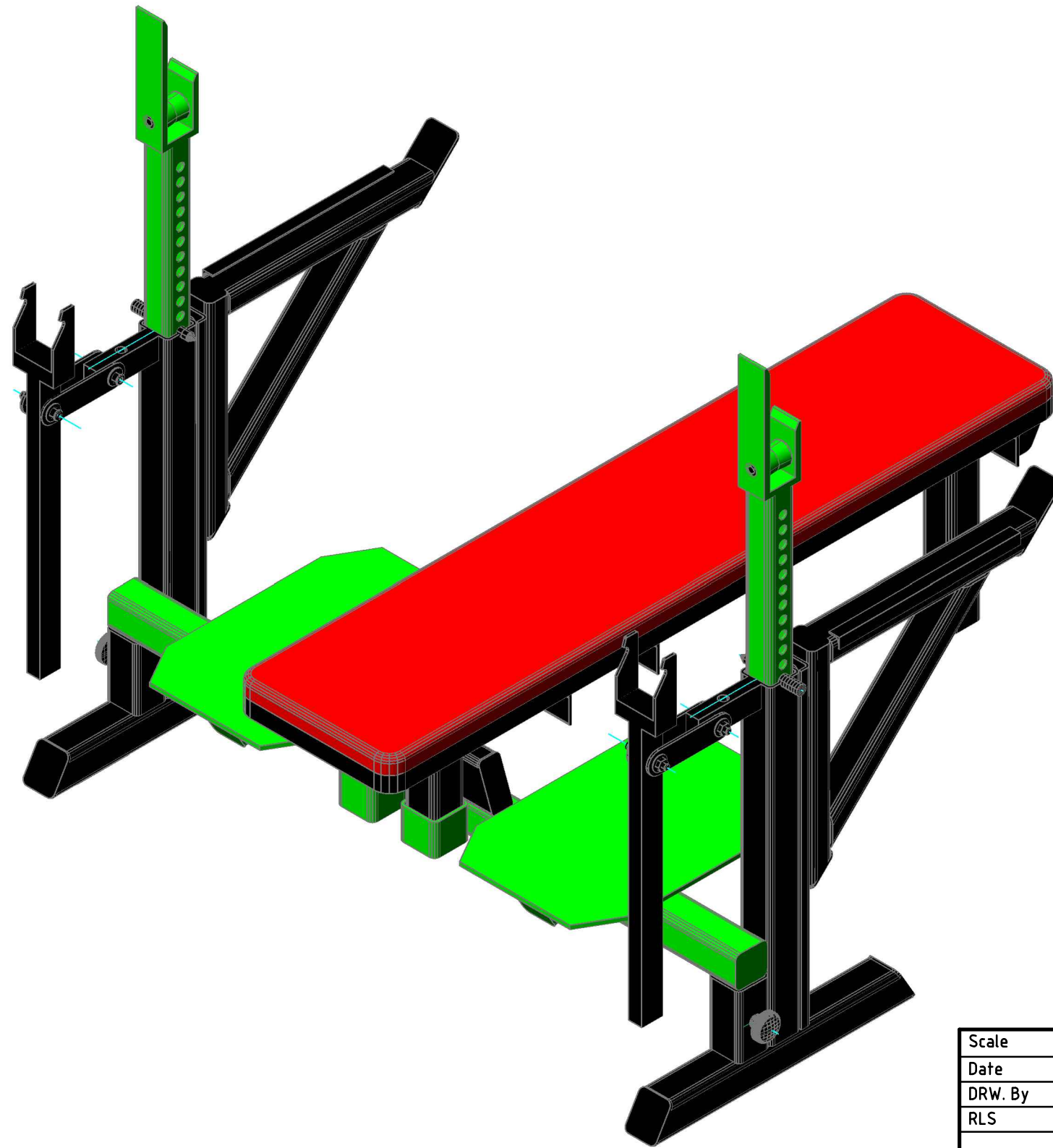
Assembly
Drawing 3

Art.Nr. 1837302

LEXCH.F. Draw.:

LEXCH.TH. Draw.:

Original:



Scale		CyberFit Ltd. BP-Bench
Date	2017-08-10	
DRW. By	Wolff	
RLS		
Assembly Drawing 4		Art.Nr. 1837302
		LEXCH.F. Draw.:
		LEXCH.TH. Draw.:
		Original: