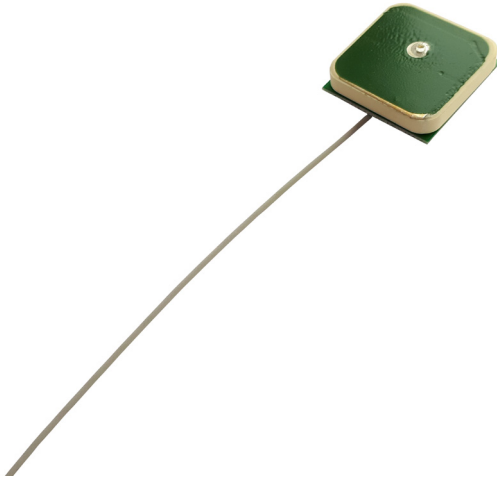


## Echo 34

Embedded Ceramic low profile WiFi/Bluetooth antenna



### Key Features

- WiFi / Bluetooth and Zigbee Antenna
- Ceramic Package

### General Description

The Echo 34 is a compact and active WiFi/ Bluetooth/Zigbee embedded low profile antenna.

This low profile ceramic patch antenna is perfect for WiFi applications designed to include embedded solutions that can still produce high levels of performance despite its small form factor.

The Echo 34 is supplied, as standard, with 100mm 1.13mm Ø coaxial cable, terminated with a UFL connector.

Custom cable lengths and alternative connector types can be supplied for volume requirements.

### Additional Considerations

- Compact antenna with high levels of performance
- Ideal for embedded solutions

## Echo 34

Embedded Ceramic low profile WiFi/Bluetooth antenna

### Electrical Specifications

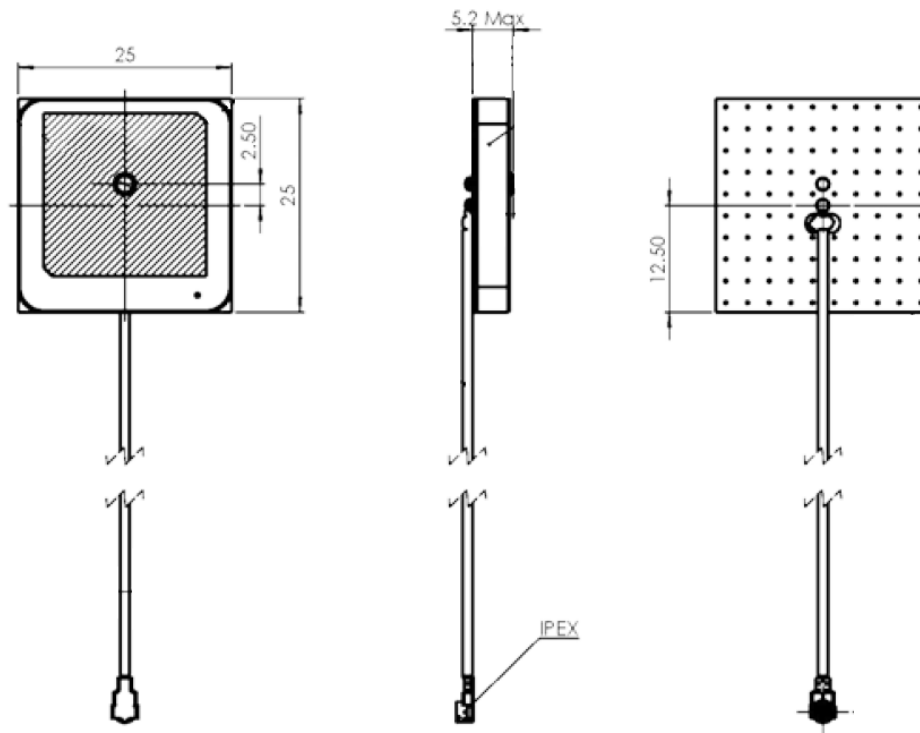
Impedance:	50 Ohm
Peak Gain:	2dBi (based on 27 x 27mm ground plane)
VSWR:	1.5:1 Max
Frequency:	2400MHz +/- 2MHz
Polarization:	RHCP

### Mechanical Specifications

Dimensions:	25 x 25 x 5.2mm
Mounting:	Embedded

### Environmental Specifications

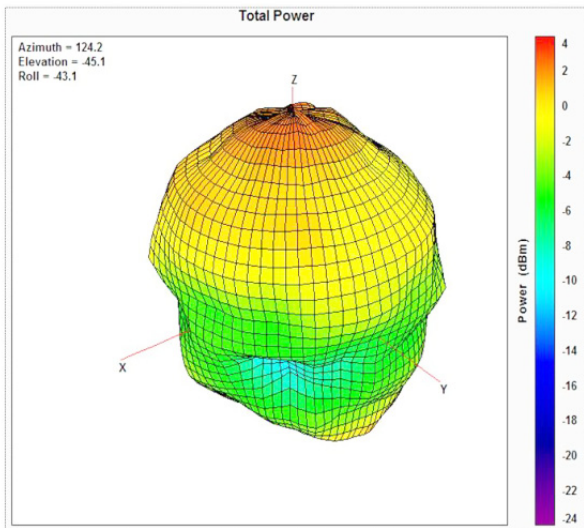
Operating Temperature:	-40 - +85°C
------------------------	-------------



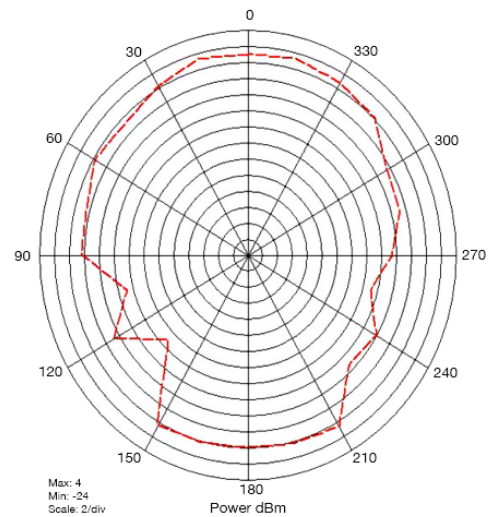
## Echo 34

Embedded Ceramic low profile WiFi/Bluetooth antenna

### 3D Radiation Pattern



### Radiation Pattern



### Ordering Details

Part Number	Description
ECHO34/0.1M/UFL/S/S/17	Embedded ceramic low profile WiFi/Bluetooth antenna