

This document shall be issued upon changes to the design of a GCT Product.
It shall be distributed to all Interested Parties and shall be made available on the GCT Website.

Date of Notice: (DD/MM/YYYY) **05/11/2018**

Product Change Notice Number: **SIM6050 D PCN 20181105**

Product Identifier: **SIM6050-8-0-30-00-A**

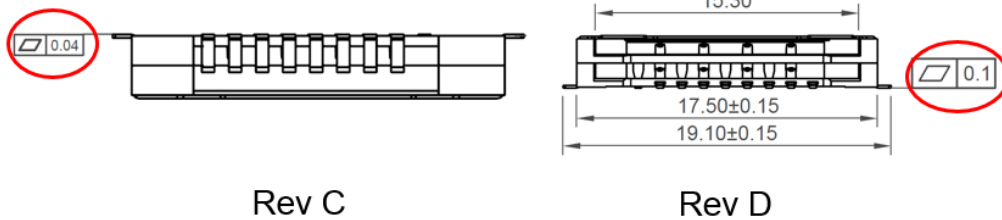
Drawing Revision Letter: **D**

Effective from date code/batch code:

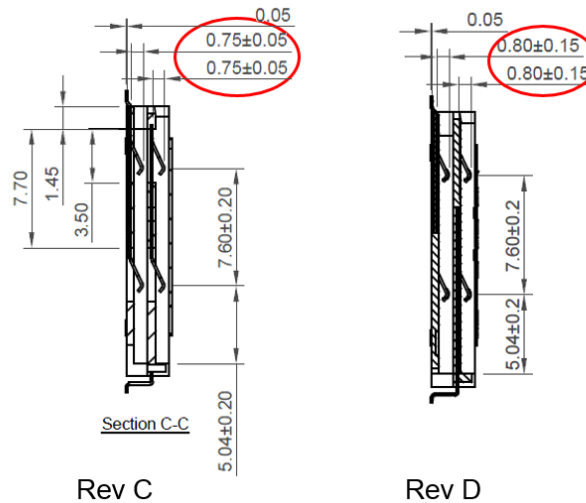
All shipments from 1st January 2019

Description of Changes: with diagrams if relevant

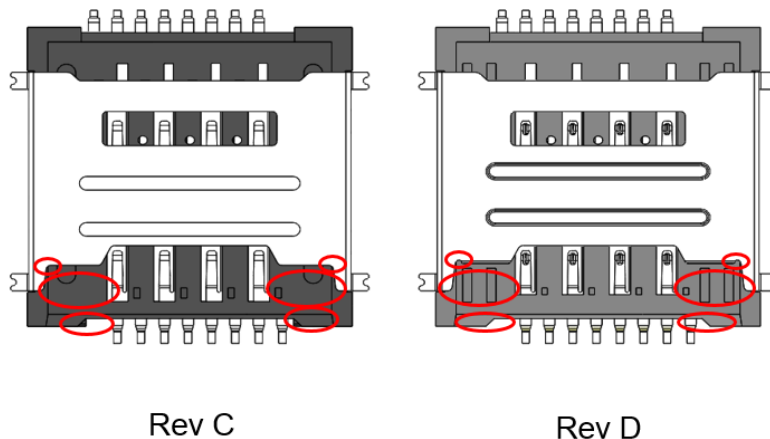
1. Change in co-planarity from 0.04 to 0.10mm:



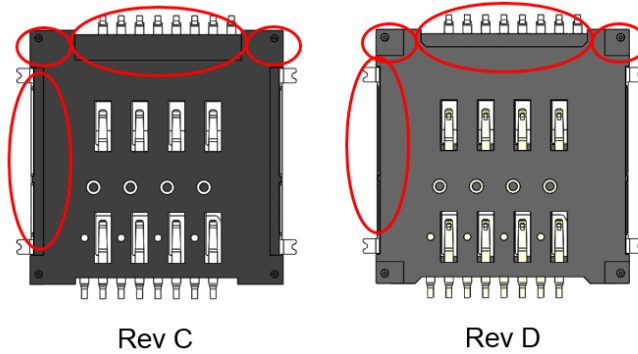
2. Change in contact height from 0.75 ± 0.05 to 0.80 ± 0.15 :



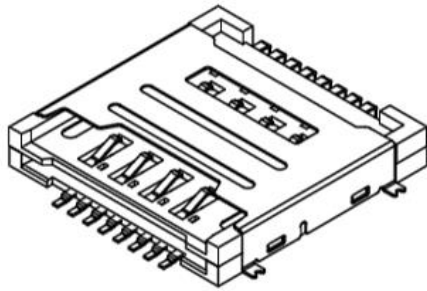
3. Change in housing & shell structure:



4. Change in housing structure:

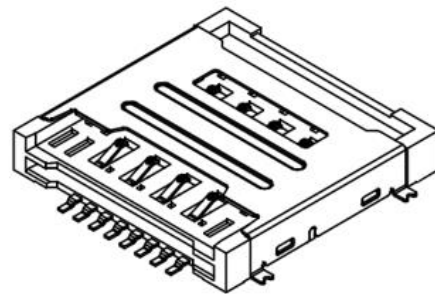


5. Change in shell material to Stainless Steel:



Specifications 规格
 Material 物料
 Plastic Housing 塑胶外壳: LCP 30%GF, UL94V-0, Black
 Contact Terminal 接触端子: Phosphor Bronze C5191R-EH, T=0.15mm
 Metallic Shell 金属外壳: Phosphor Bronze C5210R-EH, T=0.15mm

Rev C



Specifications
 Material
 Plastic Housing: LCP 30%GF, UL94V-0, Black
 Contact Terminal: Phosphor Bronze C5191R-EH, T=0.15mm
 Metallic Shell: SUS301-H, T=0.15mm

Rev D

Reason for Change:

Process improvement

Anticipated Impact on Form, Fit, Function or Reliability:

There are small changes in co-planarity, contact height, housing & shell material, but, none will impact PCB layout or reliability.

Required Inventory Action:

None

Contact Information(s): (if blank, please visit www.gct.co or use the regional details below).

If there any questions, comments or suggestions regarding this notice, please contact GCT

GCT Europe (UK)
 +44 (0)1707 321122
 sales@gct-europe.com

GCT Americas (USA)
 +1 978 208 1618
 sales@gct-americas.com

GCT Asia-Pacific (HK)
 +852 2578 9030
 sales@gct-apac.com