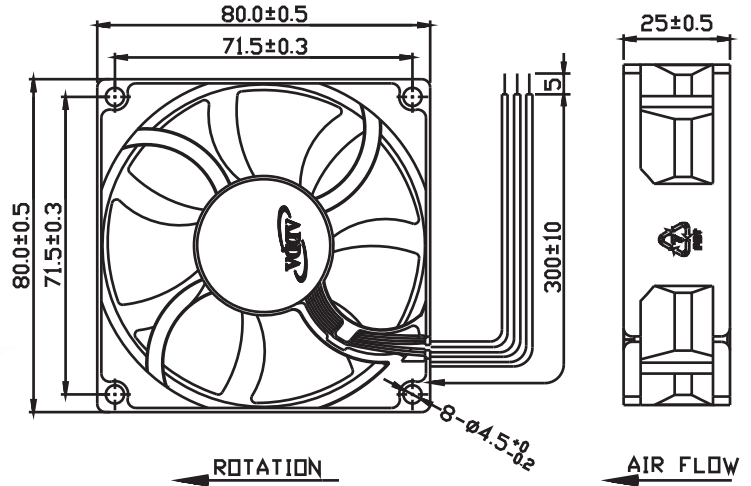




AD8025GP SERIES



External Dimensions



Frame: Plastic (UL:94V-0)
 Impeller: Plastic (UL:94V-0)
 Lead wire: UL1007AWG24

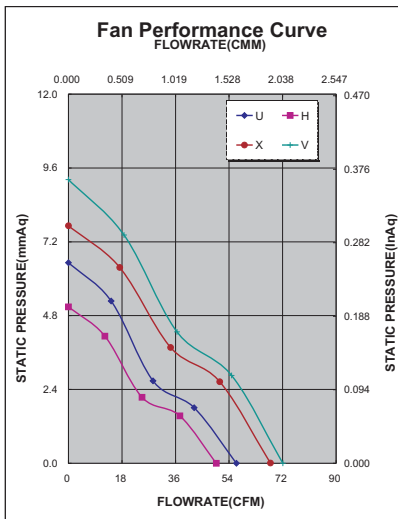
Specifications (Nominal)

*Noise is measured at the distance of one (1) meter from the axis of intake.

Bearing type: ◎=Ball ※=Sleeve ●=Hypro bearing

Frame size (mm)	Model No.	Bearing System Type	Rated Voltage (VDC)	Current (A)	Power (W)	Rated Speed (rpm)	Maximum AirFlow (CMM)	Maximum AirFlow (CFM)	Maximum Pressure (InAq)	Maximum Pressure (mmAq)	*Noise Level (dB/A)	Weight (g)
80x80x25	AD0812HB-A73GP(11)	◎	12	0.17	2.04	3500	1.406	49.700	0.200	5.080	38.5	95.0
	AD0812UB-A7BGP(11)	◎	12	0.27	3.24	4000	1.584	56.000	0.250	6.350	43.5	
	AD0812XB-A7BGP(11)	◎	12	0.35	4.20	4500	1.896	67.000	0.300	7.620	46.0	
	AD0812VB-A7BGP(11)	◎	12	0.53	6.36	5000	2.037	72.000	0.360	9.144	49.0	
	AD0824HB-A73GP	◎	24	0.10	2.40	3500	1.406	49.700	0.200	5.080	38.5	
	AD0824UB-A73GP	◎	24	0.13	3.12	4000	1.584	56.000	0.250	6.350	43.5	
	AD0824XB-A73GP	◎	24	0.18	4.32	4500	1.896	67.000	0.300	7.620	46.0	
	AD0824VB-A73GP	◎	24	0.26	6.24	5000	2.037	72.000	0.360	9.144	49.0	
	AD0848HB-A7BGP	◎	48	0.07	3.36	3500	1.406	49.700	0.200	5.080	38.5	
	AD0848UB-A7BGP	◎	48	0.10	4.80	4000	1.584	56.000	0.250	6.350	43.5	
	AD0848XB-A7BGP	◎	48	0.12	5.76	4500	1.896	67.000	0.300	7.620	46.0	
	AD0848VB-A7BGP	◎	48	0.13	6.24	5000	2.037	72.000	0.360	9.144	49.0	

Specifications subject to change without notice.



*Motor protective circuit and third lead wire functions

0	1	2	3	4	6	7	8	9	A	B
	✓	✓	✓					✓		✓

*Safety approvals

				✓