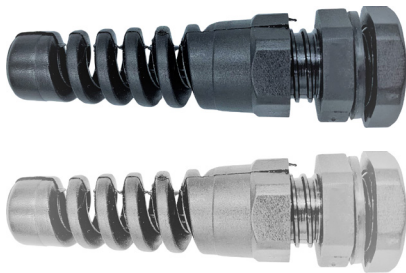


# Nylon Spiral Cable Glands

RoHS  
Compliant



## Description

These nylon glands offer excellent cable retention with a choice of Metric and PG threads and a full range of cable clamping sizes

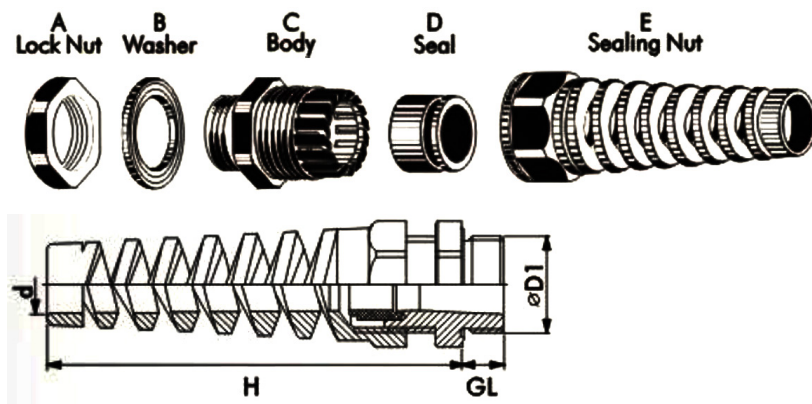
## Specifications

IP Rating : IP68  
 Working Temperature : -20°C to 80°C  
 Approval : CE

### Material

Lock Nut, Body and Sealing Nut : PA (Nylon)  
 Washer and Seal : NBR

## Diagram



## Part Number Table

Description	Thread $\Phi D1$	Cable Range (mm)	H (mm)	GL (mm)	d (mm)	Spanner Size (mm)	Colour	Part Number					
Spiral Cable Gland, Nylon	M12×1.5	3 - 6.5	54	8	7	15	Black	PELB0237					
							Grey	PELB0238					
	M16×1.5	4 - 8	63	8	8.5	19	Black	PELB0239					
							Grey	PELB0240					
							5 - 10	78	8	10.5	22	Black	PELB0241
												Grey	PELB0242

# Nylon Spiral Cable Glands



Description	Thread ΦD1	Cable Range (mm)	H (mm)	GL (mm)	d (mm)	Spanner Size (mm)	Colour	Part Number
Spiral Cable Gland, Nylon	M20×1.5	6 - 12	90	9	13	24	Black	PELB0243
							Grey	PELB0244
	M25×1.5	10 - 14	100	9	15.5	27	Black	PELB0245
							Grey	PELB0246
	M25×1.5	13 - 18	114	11	20	33	Black	PELB0247
							Grey	PELB0248
	PG7	3 - 6.5	54	8	7	15	Black	PELB0249
							Grey	PELB0250
	PG9	4 - 8	63	8	8.5	19	Black	PELB0251
							Grey	PELB0252
	PG11	5 - 10	78	8	10.5	22	Black	PELB0253
							Grey	PELB0254
	PG13.5	6 - 12	90	9	13	24	Black	PELB0255
							Grey	PELB0256
	PG16	10 - 14	100	10	15.5	27	Black	PELB0257
							Grey	PELB0258
	PG21	13 - 18	114	11	20	33	Black	PELB0259
							Grey	PELB0260

**Important Notice :** This data sheet and its contents (the "Information") belong to the members of the AVNET group of companies (the "Group") or are licensed to it. No licence is granted for the use of it other than for information purposes in connection with the products to which it relates. No licence of any intellectual property rights is granted. The Information is subject to change without notice and replaces all data sheets previously supplied. The Information supplied is believed to be accurate but the Group assumes no responsibility for its accuracy or completeness, any error in or omission from it or for any use made of it. Users of this data sheet should check for themselves the Information and the suitability of the products for their purpose and not make any assumptions based on information included or omitted. Liability for loss or damage resulting from any reliance on the Information or use of it (including liability resulting from negligence or where the Group was aware of the possibility of such loss or damage arising) is excluded. This will not operate to limit or restrict the Group's liability for death or personal injury resulting from its negligence. pro-ELEC is the registered trademark of Premier Farnell Limited 2019.

Newark.com/exclusive-brands  
 Farnell.com/exclusive-brands  
 Element14.com/exclusive-brands

