

# INSTALLATION POWER SUPPLY 12VDC 12WATT

STONTRONICS: UKR006-57-KBB



## Features:

- Level VI
- Universal / Full range AC input
- Fixed AC mains lead (UK plug)
- Class II power (no earth)
- Small & Compact design

## Description:

The TT Range of 12 Watt AC/DC Installation Power supplies are offered in a low profile compact enclosure with 4 mounting tabs, a fixed AC Input Cable and DC Output Cable, Single output voltage between 5Vdc – 24Vdc. These highly reliable power supplies can be used in many indoor applications such as CCTV, Access control and Building Management Systems.

| Specification            |  |
|--------------------------|--|
| Part Code                | UKR006-57-KBB  |
| Voltage                  | 12Vdc  |
| Current Max              | 1A   |
| Power (Watts)            | 12W  |
| Line Regulation          | Less than $\pm 5\%$ while measuring at rated load and $\pm 10\%$ of input voltage changing                           |
| Ripple & Noise           | 120mVp-p   |
| Protections              | Over Current, Short Circuit  |
| Case Size (mm)           | 84.5(L) x 39(W) x 26.5(H)  |
| Weight                   | 173g   |
| DC Cord                  | 1.8m   |
| DC Plug                  | Straight 2.1 C+ve  |
| Rated Input Voltage      | 100-240Vac   |
| Full Input Voltage Range | 90-264Vac  |
| Full Frequency Range     | 50-60Hz $\pm 3\%$  |
| Efficiency               | 83.26% minimum (output current from 100%, 75%, 50%, 25%)<br>73.26% minimum(10% load)                                 |
| Input Current RMS Max    | 400mA  |
| Inrush Current           | No damage shall be occurred and the input fuse shall not be blown up nominal input voltage full load 25°C cold start |
| Leakage Current          | <0.25mA  |
| Input Power (No Load)    | 0.075W Max   |
| AC Mains Lead            | 1.5m UK Plug   |
| Hi-Pot                   | 3000 Vac, 5mA, 1 min   |
| Operating Temperature    | 0°C to +40°C   |
| Storage Temperature      | -20°C to +80°C   |
| Operating Humidity       | 10% to 90% (Non Condensing)  |
| Storage Humidity         | 10% to 90% (Non Condensing)  |
| Safety Approvals         | UL, CSA, TUV,CE, UK & TCA  |
| EMI Standards            | FCC part 15, EN55032, GB9254, GB17625  |
| MTBF                     | 50K  |

## General Note

TT Electronics reserves the right to make changes in product specification without notice or liability. All information is subject to TT Electronics' own data and is considered accurate at time of going to print.

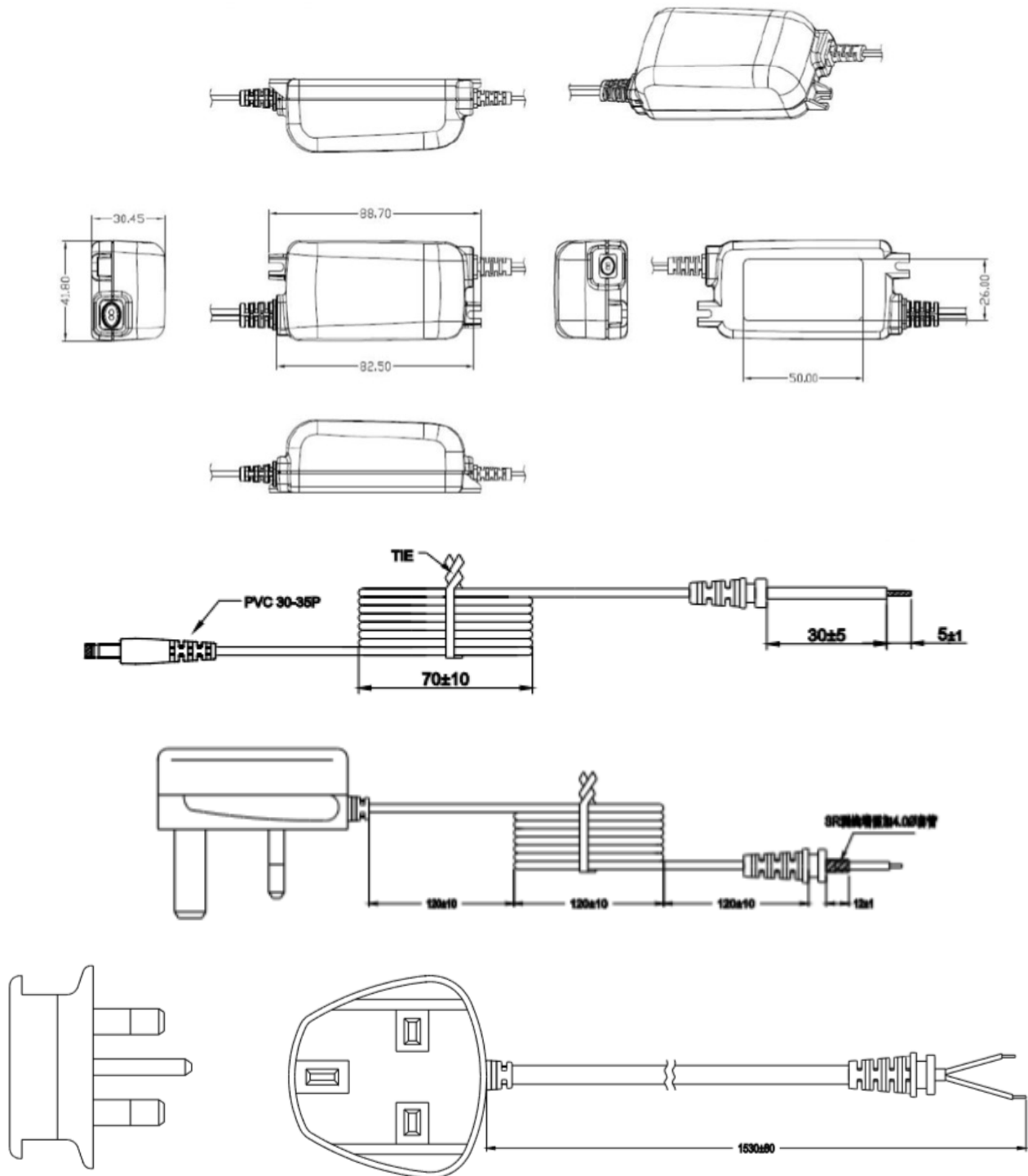
## STONTRONICS

TT Electronics IoT Solutions Ltd  
Tofts Farm East, Brenda Road, Hartlepool, TS25 2BQ, UK  
t: +44 (0) 1429 852 500

# INSTALLATION POWER SUPPLY 12VDC 12WATT STONTRONICS: UKR006-57-KBB



## Diagrams



General Note  
TT Electronics reserves the right to make changes in product specification without notice or liability. All information is subject to TT Electronics' own data and is considered accurate at time of going to print.