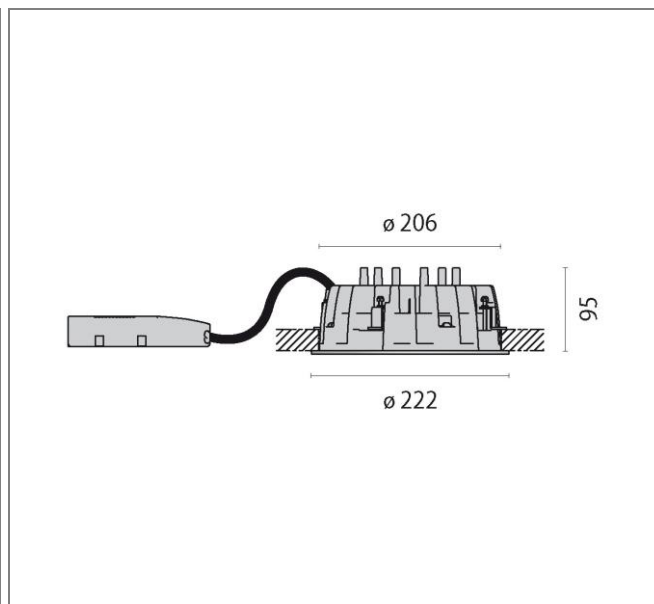


**ART.: 822721734001**

DLSB220 LED OPAL COVER - 95 mm



Art.: 822721734001, DLSB220 LED, Opal-white pmma diffuser, 38W, 4000K, Driver static, Symmetrical - direct, White, Recessed round LED downlight for indoors, consisting of: / Multi-purpose die-cast aluminium housing combines all functions: heat-sinking, ceiling trim, ceiling brackets and gear tray connection / Light-tight housing / Suitable for ceiling tile thickness from 1-25 mm / Recessed frosted diffuser for optimal light distribution and high homogeneity / White modular reflector, ABS injection-molded with light-tight connection of LED board / Excellent heat dissipation through die-cast aluminium heat sink with FAST (Flexible Air Stream) Technology / Colour rendering index Ra > 80 / Colour tolerance according to MacAdam = 3 SDCM / Complete with electric converter / Protection class IP54 (for light emission surface for installation in closed ceilings)

<b>Connected load</b>	38 W
<b>Luminous flux</b>	3690 lm
<b>Efficiency</b>	97 lm/W
<b>Colour temperature</b>	4000K
<b>Colour rendering (CRI)</b>	80
<b>IP class</b>	20
<b>Nominal voltage</b>	220 – 240 V
<b>Colour</b>	WH-RAL9016
<b>UGR</b>	25,2

