

## DIN-Power code pin



Image is for illustration purposes only. Please refer to product description.

|                    |   |
|--------------------|---|
| Part number        | 09 06 000 9950  |
| Specification      | DIN-Power code pin  |
| HARTING eCatalogue | <a href="https://b2b.harting.com/09060009950">https://b2b.harting.com/09060009950</a> |

### Identification

|                              |  |
|------------------------------|--|
| Category                     | Accessories                                  |
| Series                       | DIN 41612                                    |
| Type of accessory            | Coding pin                                   |
| Description of the accessory | for types D, E, F and interface connectors I |
| Features                     | lead-free                                    |

### Technical characteristics

|                 |                                      |
|-----------------|--------------------------------------|
| Isolation group | IIIa ( $175 \leq \text{CTI} < 400$ ) |
|-----------------|--------------------------------------|

### Material properties

|   |  |
|---|--|
| Material (accessories)                    | Metal  |
| Colour (accessories)                      | RAL 7032 (pebble grey)                                 |
| Material flammability class acc. to UL 94 | V-0  |
| RoHS                                      | compliant with exemption                               |
| RoHS exemptions                           | 6(c): Copper alloy containing up to 4 % lead by weight |
| ELV status                                | compliant with exemption                               |
| China RoHS                                | 50   |
| REACH Annex XVII substances               | Not contained  |
| REACH ANNEX XIV substances                | Not contained  |
| REACH SVHC substances                     | Yes  |
| REACH SVHC substances                     | Lead   |
| ECHA SCIP number                          | 0d7d3693-d625-47ab-934a-d241bf72c86e                   |
| California Proposition 65 substances      | Yes  |

## Material properties

California Proposition 65 substances      Lead

## Specifications and approvals

Railway classification      F4/I3 acc. to NFF 16-101/102

## Commercial data

Packaging size      100

Net weight      0.09 g

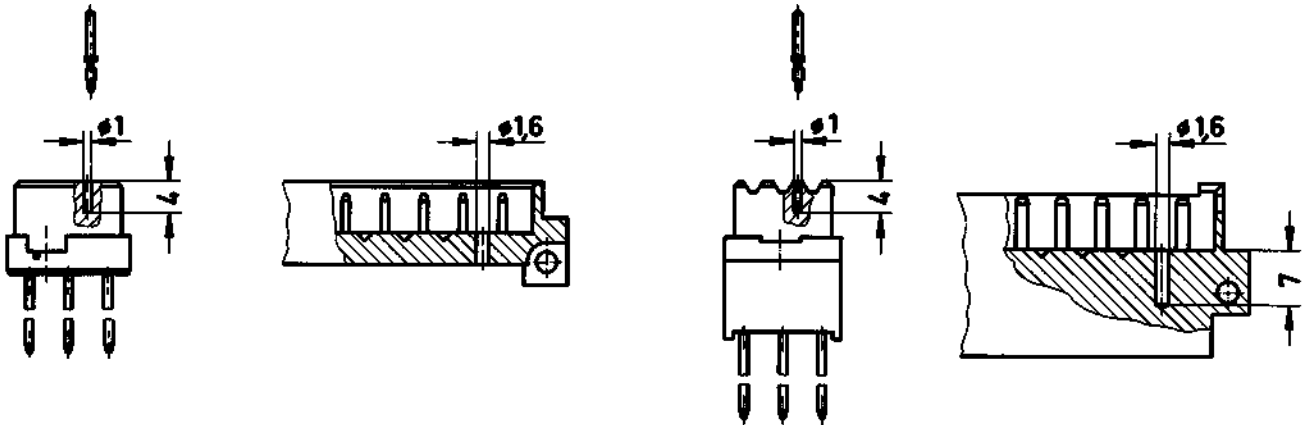
Country of origin      Germany

European customs tariff number      85389099

GTIN      5713140010147

eCl@ss      27440203 Coding for industrial connectors

## Coding pin



Drill out the male connector at pre-centered point according to the sketch. The coding pin can then be inserted into the corresponding cavity of the female connector by means of the insertion tool. This coding system is available only for the types D, E, F and interface connectors I.