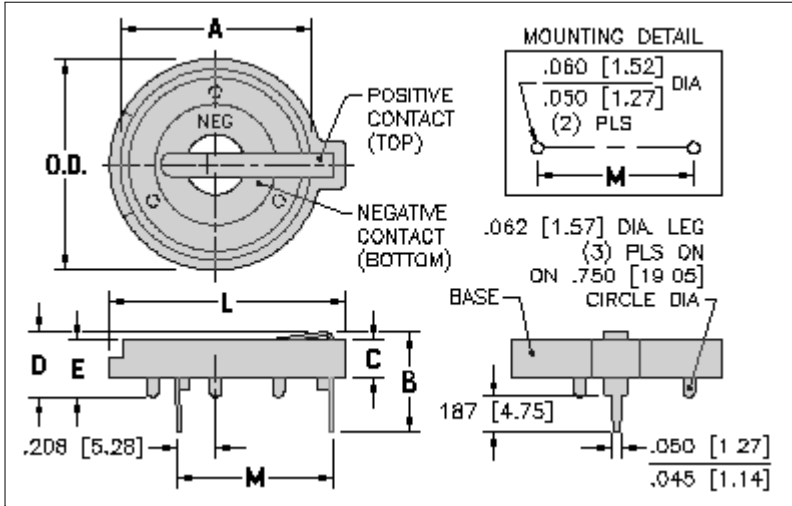


23mm Lithium Coin Cell Battery Holders

Thru Hole Mount (THM)



Cat. No.	Cells	Dims.	A	B	C	D	E	L	O.D.	M
104	One	inch	.911	.513	.195	.335	.295	1.150	1.000	.807
		mm	23,13	13,03	4,95	8,50	7,49	29,21	25,40	20,50
107	One	inch	.911	.513	.195	.335	.295	1.219	1.093	.807
		mm	23,13	13,03	4,95	8,50	7,49	30,96	27,76	20,50
1027	Two	inch	.911	.630	.312	.452	.412	1.219	1.093	.807
		mm	23,13	16,00	7,92	11,48	10,46	30,96	27,76	20,50
Positive & Negative Contacts: .020" (0,5mm) Spring Steel, Tin Nickel Plate										
Base Material: PBT UL 94V-0, Black					Temp. Range: -60°F to +293°F (-50°C to +145°C)					

Battery Cross Reference	
Duracell, Eveready, Panasonic, Sony, Toshiba, Varta, Ray-O-Vac, Sanyo, Seiko	
BR2320, CL2320, CR2320, BR2325, CR2325	
DL2325, BR2330, CL2330, BR2335, CR2354†	
†Cat. No. 1027 (1) Cell Only	