



Terminals & Splices > Terminal Housings, Insulation Sleeves & Blocks > Crimp Terminal Housings



Terminal & Splice Type: **Receptacle**

Housing Type: **Receptacle**

Number of Positions: **1**

Terminal Orientation: **Straight**

Housing Color: **Black**

Features

Product Type Features

Product Type	Terminal Housing
Terminates To	Wire & Cable
Housing Type	Receptacle
Sealable	No
Insulated	No

Configuration Features

Number of Positions	1
---------------------	---

Body Features

Housing Color	Black
Mating Retention	With
Mating Alignment	With

Contact Features

Terminal & Splice Type	Receptacle
Terminal Orientation	Straight



Mechanical Attachment

Mounting Style	Free Hanging
----------------	--------------

Housing Features

Housing Material	PBT
------------------	-----

Dimensions

Length	25 mm [.98 in]
--------	----------------

Usage Conditions

Operating Temperature Range	-40 – 105 °C [-40 – 221 °F]
-----------------------------	-----------------------------

Packaging Features

Packaging Quantity	100
--------------------	-----

Product Compliance

[For compliance documentation, visit the product page on TE.com>](#)

EU RoHS Directive 2011/65/EU	Compliant
EU ELV Directive 2000/53/EC	Compliant
China RoHS 2 Directive MIIT Order No 32, 2016	No Restricted Materials Above Threshold
EU REACH Regulation (EC) No. 1907/2006	Current ECHA Candidate List: JAN 2020 (205) Candidate List Declared Against: JAN 2020 (205) Does not contain REACH SVHC
EU REACH Regulation (EC) No. 1907/2006	Current ECHA Candidate List: JAN 2020 (205) Candidate List Declared Against: JAN 2020 (205)
Halogen Content	Low Halogen - Br, Cl, F, I < 900 ppm per homogenous material. Also BFR/CFR/PVC Free
Solder Process Capability	Not applicable for solder process capability

Product Compliance Disclaimer

This information is provided based on reasonable inquiry of our suppliers and represents our current actual knowledge based on the information they provided. This information is subject to change. The part numbers that TE has identified as EU RoHS compliant have a maximum concentration of 0.1% by weight in homogenous materials for lead, hexavalent chromium, mercury, PBB, PBDE, DBP, BBP, DEHP, DIBP, and 0.01% for cadmium, or qualify for an exemption to these limits as defined in the Annexes of Directive 2011/65/EU (RoHS2). Finished electrical and electronic equipment products will be CE marked as required by Directive 2011/65/EU. Components may not be CE marked. Additionally, the part numbers that TE has identified as EU ELV compliant have a maximum concentration of 0.1% by weight in homogenous materials for lead, hexavalent chromium, and mercury, and 0.01% for cadmium, or qualify for an exemption to these limits as defined in the Annexes of Directive 2000/53/EC (ELV). Regarding the REACH Regulations, TE's information on SVHC in

articles for this part number is still based on the European Chemical Agency (ECHA) 'Guidance on requirements for substances in articles'(Version: 2, April 2011), applying the 0.1% weight on weight concentration threshold at the finished product level. TE is aware of the European Court of Justice ruling of September 10th, 2015 also known as O5A (Once An Article Always An Article) stating that, in case of 'complex object', the threshold for a SVHC must be applied to both the product as a whole and simultaneously to each of the articles forming part of its composition. TE has evaluated this ruling based on the new ECHA "Guidance on requirements for substances in articles" (June 2017, version 4.0) and will be updating its statements accordingly.

Compatible Parts



TE Model / Part # 170258-2
FF 250 REC 14-12AWG TPBR
REREELING



TE Model / Part # 170258-1
FF 250 REC 14-12AWG BR REREELING

Also in the Series | FASTIN-FASTON 250

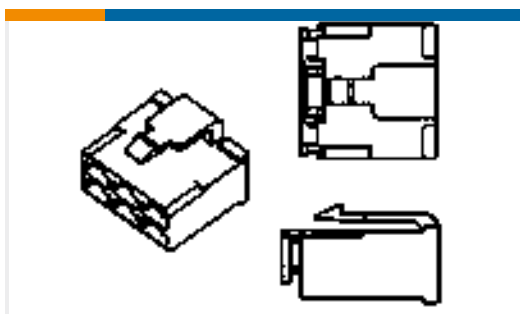


Crimp Terminal Housings(213)



Quick Disconnects(253)

Customers Also Bought



TE Model / Part #178022-1
FF 250 PLUG HSG DBL LOCK NAT



TE Model / Part #1612288-1
SEALED 0.64/2.3II 60POS LEVER



TE Model / Part #590760-000
ES-CAP-HW-NO.3-0-45MM-ST



TE Model / Part #1473140-1
SQUIB 11DIA MK-2 LOCKING BUTTO



TE Model / Part #1939350-1
0.5 SEALED RECEPTACLE CONTACT
Au



Documents

Product Drawings

250 SERIES HORN CONNECTOR, PLUG HSG

English

CAD Files

3D PDF

3D

Customer View Model

[ENG_CVM_CVM_173271-2_A.2d_dxf.zip](#)

English

Customer View Model

[ENG_CVM_CVM_173271-2_A.3d_igs.zip](#)

English

Customer View Model

[ENG_CVM_CVM_173271-2_A.3d_stp.zip](#)

English

By downloading the CAD file I accept and agree to the [Terms and Conditions](#) of use.

Product Environmental Compliance

TE Material Declaration

English