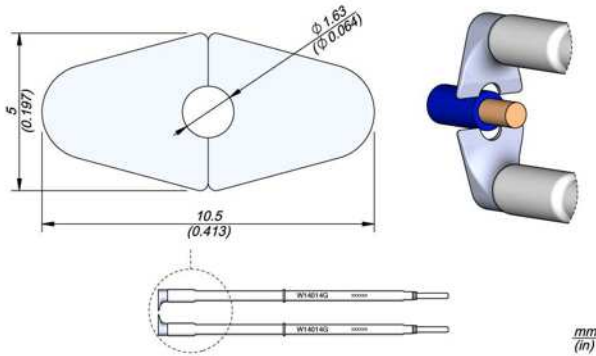


JBC W14014G**Cartridges W140 14G 5mm****JBC**

STRANDED	16 (7 x 24) AWG
SOLID	14 AWG



W14014G is specially designed for **stripping high-temperature wire insulations made of thermostable materials** such as Teflon*, Kapton*, silicone rubber, etc, of **14 AWG (1.63 mm / 0.0642 in)**.

This cartridge works with WS140 Precision High-Temperature Wire Stripper Tweezers which has an adjustable strip length gauge to select the stripping length.

Both cartridges are included in this reference.

* Registered Trade Marks of DuPont

SPECIFICATIONS

Net weight 0,02 kg (0.05lb)

DIMENSIONS AND WEIGHT

22 gr (0.05 lb)

38 gr (0.08 lb)

155 x 56 x 46 mm