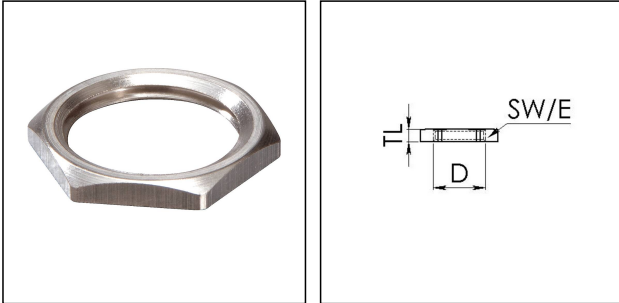


## MMU 13,5

Locknut, brass



Products may differ in size, colour and appearance to those shown. If you require further information or customisation, please contact us directly.



<b>Material</b>	Brass nickel-plated
<b>Surface</b>	Nickel-plated
<b>Temp. range min</b>	-200 °C
<b>Temp. range max</b>	250 °C
<b>Thread type</b>	PG
<b>Ø Connection thread D</b>	13,5
<b>Key width SW</b>	23 mm
<b>Collar diameter (E)</b>	26 mm
<b>Total length TL</b>	3 mm
<b>Order no. nickel-plated</b>	10062144
<b>Type</b>	MMU 13,5
<b>Packing unit</b>	100
<b>EAN number</b>	4007685621441
<b>Tariff number</b>	74153300
<b>ETIM-Classification</b>	EC000940

16.08.2023

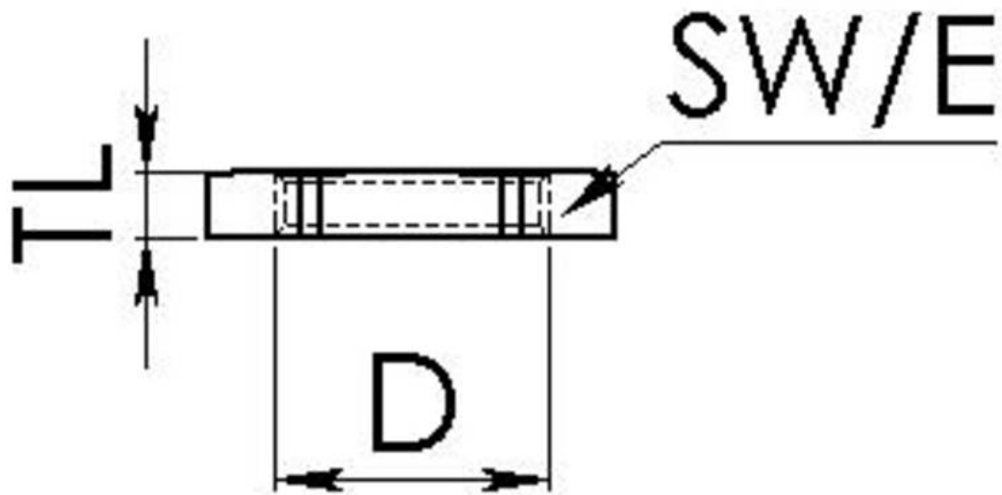
Your Contact:

**WISKA UK Ltd.**

Unit 7, Hurling Way · St. Columb Major Business Park · TR9 6SX, St. Columb Major, Cornwall · Great Britain

☎ +44-12-08816062 · 📠 +44-12-08816708

info@wiska.co.uk · www.wiska.co.uk



Your Contact:

**WISKA UK Ltd.**

Unit 7, Hurling Way · St. Columb Major Business Park · TR9 6SX, St. Columb Major, Cornwall · Great Britain

☎ +44-12-08816062 · 📠 +44-12-08816708

info@wiska.co.uk · www.wiska.co.uk