

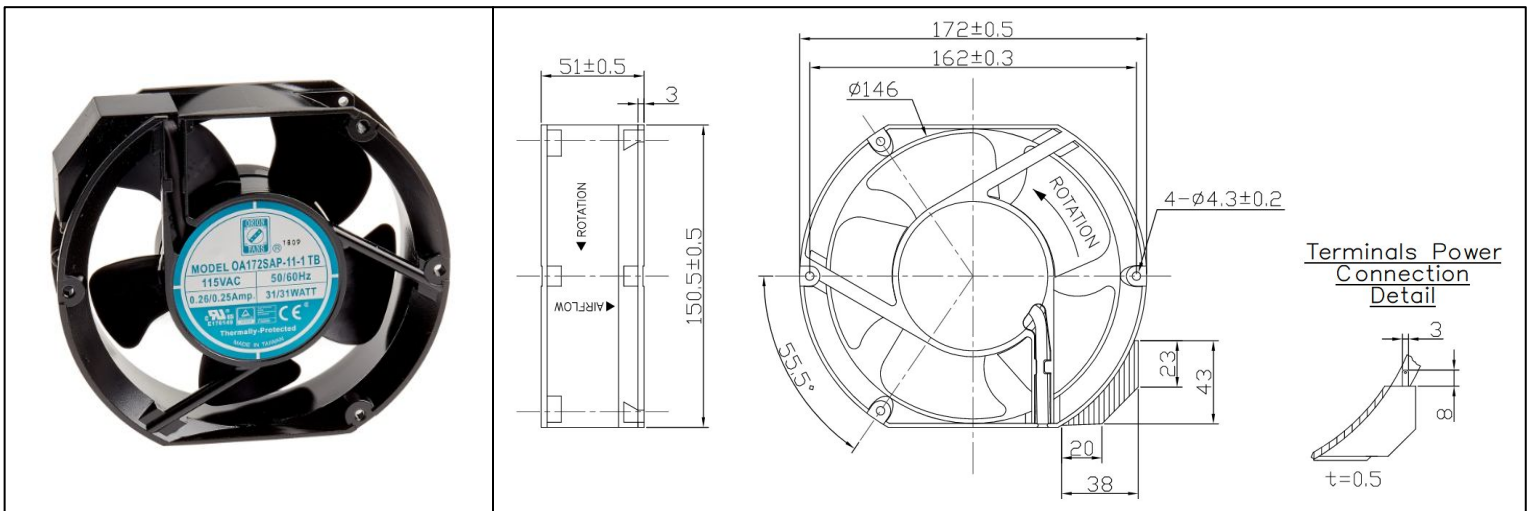


Datasheet

RS PRO AC FAN 172x150x51

Stock Number: 619-6832

EN



Frame	Die Cast Aluminum, Black Finish	<u>Operating Temperature</u> -40°C ~ +70°C	<p><u>Storage Temperature</u> -40°C ~ +80°C</p> <p><u>Life Expectancy</u> 40,000 Hours (L10 at 40°C)</p> <p>Weight: 0.8Kgs (1.76 lbs.)</p>	<p>Static Pressure ("H₂O)</p> <p>--- 50Hz — 60Hz</p> <p>Airflow (CFM)</p>
Impeller	PBT, UL94 V-0 Plastic	<u>Storage Temperature</u> -40°C ~ +80°C		
Connection	Terminals	<u>Life Expectancy</u> 40,000 Hours (L10 at 40°C)		
Motor	AC Motor, Impedance and Thermally Protected, Class B Insulation, IP55 Rated	Weight: 0.8Kgs (1.76 lbs.)		
Bearing System	Ball Bearings			
Dielectric Strength	1500 VAC/min, < 1mA			
Insulation Resistance	≥10M Ohm @ 500 VDC			

Model Number	619-6832
Rated Voltage (Volts AC)	115
Voltage Range (Volts AC)	103 ~ 126
Frequency (Hertz)	50 / 60
Rated Current (Amps)	0.26 / 0.25
Rated Power (Watts)	31 / 31
Rated Speed (RPM)	2850 / 3400
Max Airflow (CFM)	205 / 226
Noise Level (dBA)	53 / 58
Max Static Pressure ("H ₂ O)	0.63 / 0.79