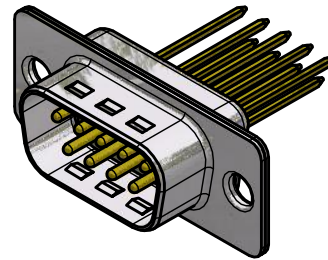
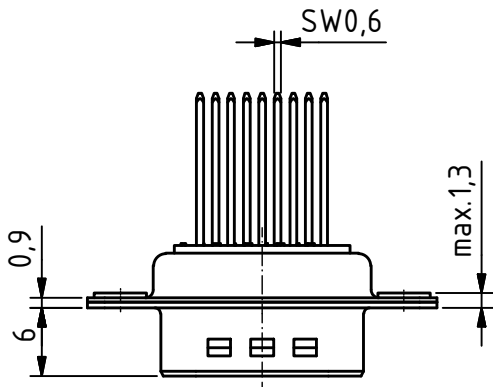
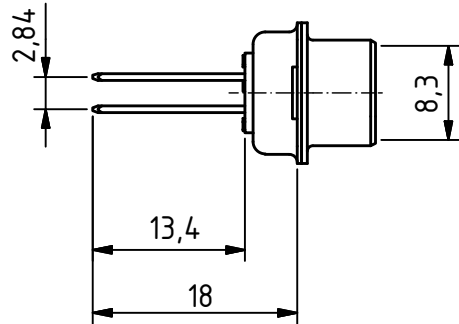
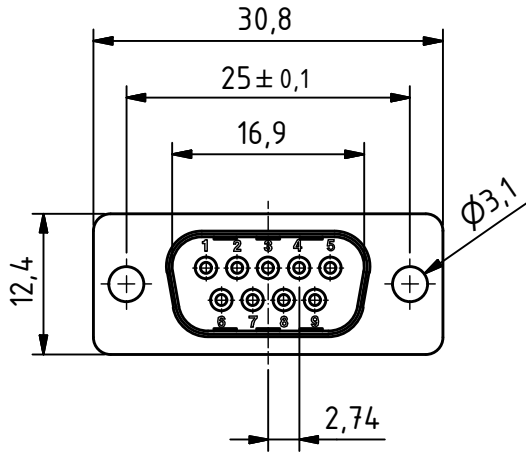


RoHS compliant



IP protection grade: IP50

MATERIALS

- Insulator: Thermoplastic UL 94-V-0 white
- Contact: Machined / Copper alloy
- Contact finish: Quality class 2
- Shell: steel tin plated

CHARAKTERISTICS

- Working voltage: 125V
- Current rating: 7.5A
- Contact resistance: max. 10mΩ - DIN41652
- Insulation resistance: >5GΩ
- Temperature range: -55° to +125°C

General tolerances (Deltron standard)			
size in mm	tolerances		
	> 0.5 up to 3	> 3 up to 6	> 6 up to 30
±0.1	±0.2	±0.2	±0.3

	All dimensions in mm	Rev. a) 02.02.2017 mr	Rev.	Rev.	DE001490 part no.		
		Rev.	Rev.	Rev.			
DTS09PW3/2				1.5:1 scale	drawn	07.06.2012	mr
					checked		
				Industrie Neuhof 8c CH-3422 Kirchberg www.d-sub.swiss	K050043 a drawing no.		
					CONNECT 2 CUSTOMIZE		