

1. Features

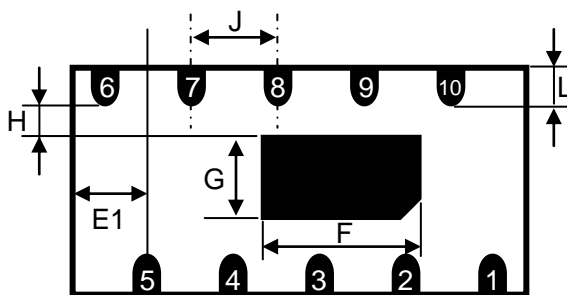
- Ultra low capacitance (0.27pF Typ.)
- Protection for the IEC61000-4-2(ESD) $\pm 15\text{kV}$ (air), $\pm 8\text{kV}$ (contact)
- Fast turn on and low clamping voltage
- For 6 lines
- Pb-free (RoHS compliant) package
- RoHS regulation conformity parts

2. Typical Applications

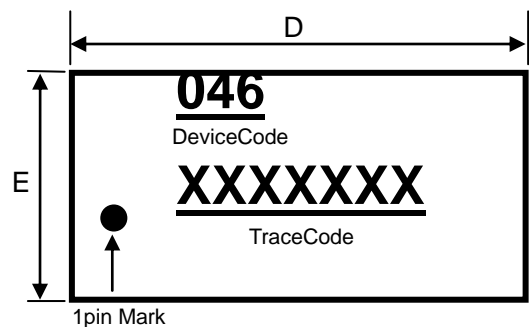
- High Speed Communication Line Protection
- USB 3.0 Power and Data Line Protection

3. Mechanical details (Unit: mm)

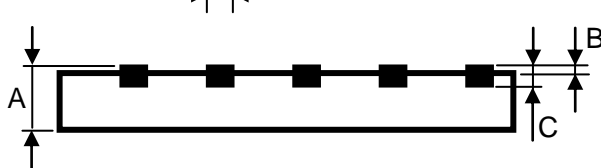
BOTTOM VIEW



TOP VIEW



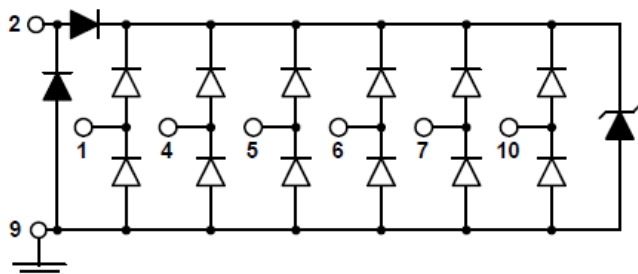
SIDE VIEW



Pin Configuration

No,	Terminal Name
1	I/O 1
2	VDD
3	NC
4	I/O 2
5	I/O 3
6	I/O 4
7	I/O 5
8	NC
9	GND
10	I/O 6

Symbol	Min	Typ	Max
A	0.45	0.50	0.55
B	0	-	0.05
C	0.152 (ref)		
D	4.024	4.1	4.176
E	1.924	2.0	2.076
E1	0.6	-	0.7
F	1.3	1.4	1.5
G	0.7	0.8	0.9
H	0.2 (min)		
I	0.15	0.20	0.25
J	0.8 (typ)		
L	0.224	0.30	0.376

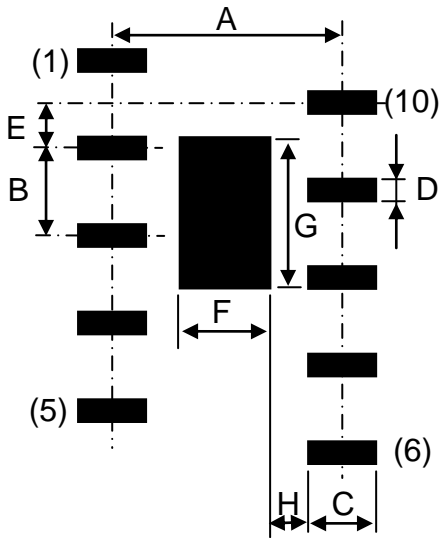
4. Schematic

5. Maximum Ratings

Parameter	Symbol	Rating	Units
Operating Voltage(VDD-GND)	V_{DC}	5.5	V
ESD per IEC 61000-4-2 (air)	V_{ESD}	±15	kV
ESD per IEC 61000-4-2 (contact)		±8	(per port)
Lead Soldering Temperature	T_{SOL}	260(10sec.)	°C
Operating Temperature	T_{OP}	-40 to +85	°C
Storage Temperature	T_{STO}	-40 to +125	°C

6. Electrical Characteristics (T=25 °C)

Parameter	Symbol	Conditions	Min	Typ	Max	Units
Leakage Current	I_{Leak}	$V_{pin2}=5V, V_{pin9}=0V, V_{CH}=0-5V$			1	μA
Breakdown Voltage	V_{BV}	$I_{BV} = 1mA$	6			V
Capacitance (I/O-GND)	C_{IN}	$V_{pin2}=5V, V_{pin9}=0V, V_{in}=2.5V, f=1MHz$		0.27		pF

7. Soldering Footprint (Unit: mm)



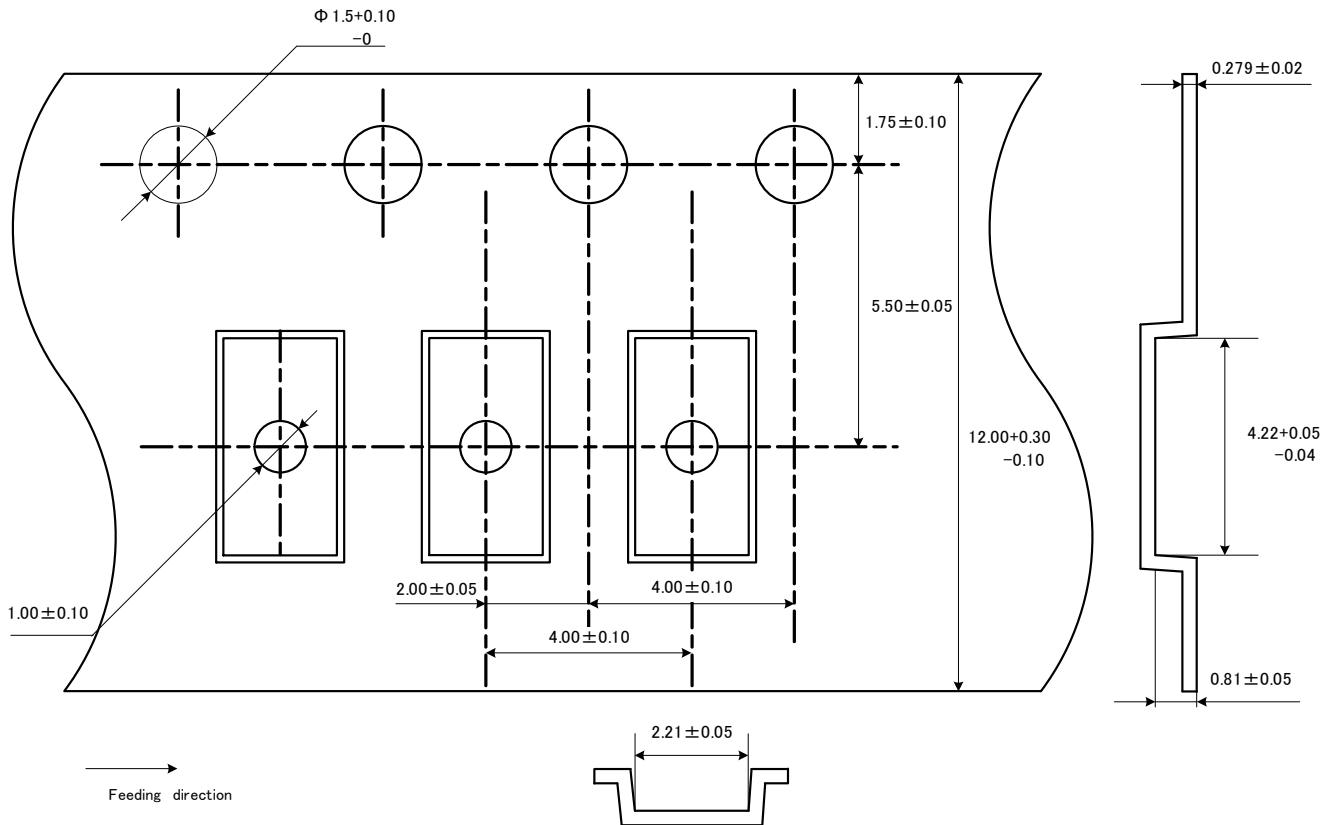
Symbol	Size
A	1.9
B	0.8
C	0.5
D	0.2
E	0.4
F	0.8
G	1.4
H	0.2 (min)

Notes : this land layout is for reference purpose only.

8. Tape and Reel Packing

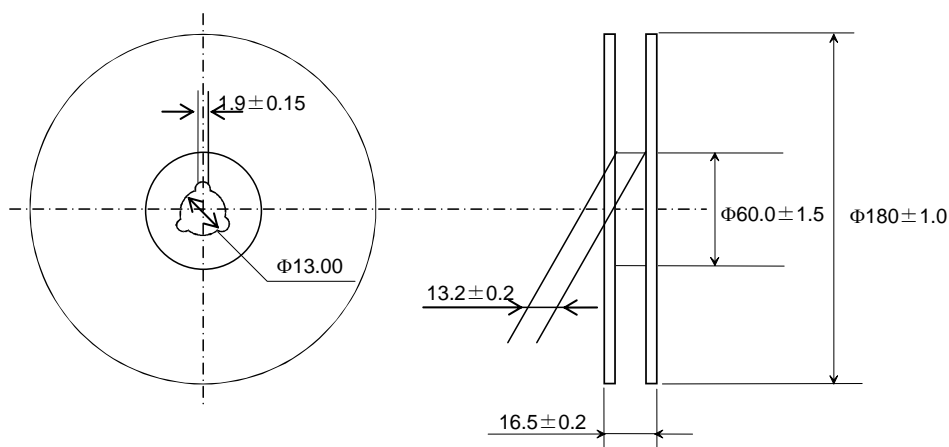
1) Dimensions of Tape (Plastic tape)

(Unit : mm)



2) Dimensions of Reel

(Unit : mm)



3) Packaging Unit (Minimum Order Quantity) : 3,000 pcs/reel

Note:

1. This datasheet's specifications are subject to change or our products in it may be discontinued without advance notice. Please check with our sales representatives or product engineers before ordering.
2. This datasheet has only typical specifications because there is no space for detailed specifications. Therefore, please approve our product specifications or transact the approval sheet for product specifications before ordering.