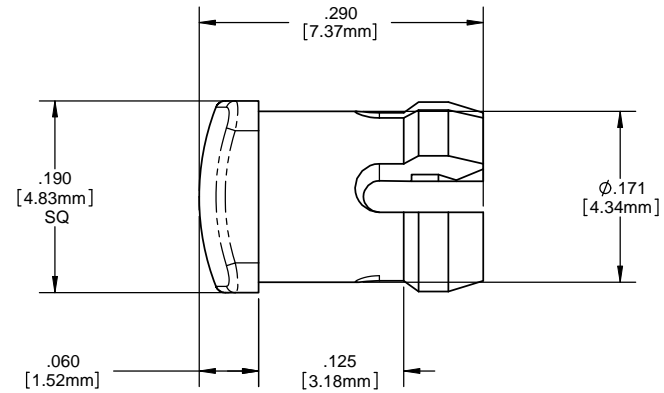
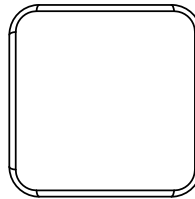
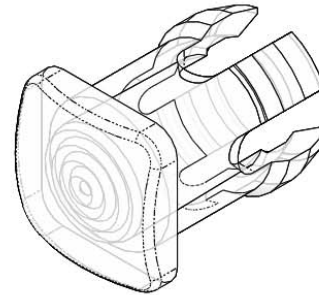


8 7 6 5 4 3 2 1

**NOTES:**

1. **MOUNTING:** Mounts in a  $\phi .171 \pm .002$  [ $\phi 4.34\text{mm} \pm .05$ ] panel hole on  $.250$  [ $6.35\text{mm}$ ] centers. Panel thickness  $.063$  [ $1.6\text{mm}$ ] to  $.125$  [ $3.17\text{mm}$ ]. Panel hole should be deburred, but not chamfered.
2. **ASSEMBLY:** Insert lens through panel hole, and insert LED into lens.
3. **MATERIAL:** Polycarbonate, UL 94-V2
4. **U.S. & Foreign Pat. Issued & Pend.**

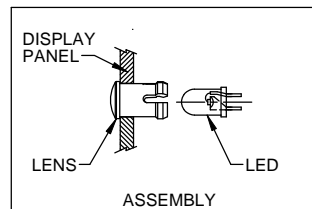
REVISIONS				
ECN#	REV.	DESCRIPTION	DATE	INITIALS
	001	REVISED PER ECR111009AZ01	4-23-10	SMU



ORDERING CODE : **SMQ 250 XXX**

MODEL

LENS COLOR	
RTP	RED TRANSPARENT
ATP	AMBER TRANSPARENT
GTP	GREEN TRANSPARENT
BTP	BLUE TRANSPARENT
YTP	YELLOW TRANSPARENT
CTP	CLEAR TRANSPARENT



<small>UNLESS OTHERWISE SPECIFIED DIMENSIONS ARE IN INCHES</small> ANGLES DECIMALS $\pm 1^\circ$ .X $\pm .020$ FINISH .XXX $\pm .010$ .XXX $\pm .005$	<b>MATERIAL</b> POLYCARBONATE, UL 94-V2	<b>VISUAL COMMUNICATIONS COMPANY, INC.</b> <small>190 Bosstick Boulevard, Suite 101 San Marcos, CA 92069 USA          Phone (760) 560-1300 Fax (760) 560-1301 email vccsales@vccite.com</small>	
	<b>FINISH</b> SEE NOTES	<b>TITLE: 3MM SQUARE LOW PROFILE FRESNEL LENS</b>	
<small>THIRD ANGLE PROJECTION</small> 	<small>APPROVAL</small> SMU 4-23-10	<small>DATE</small> 4-23-10	<small>SIZE</small> <b>B</b>
<small>THE INFORMATION CONTAINED IN THIS DRAWING IS THE SOLE PROPERTY OF VISUAL COMMUNICATIONS COMPANY, INC. REPRODUCTION IN PART OR AS A WHOLE WITHOUT THE WRITTEN CONSENT OF VISUAL COMMUNICATIONS COMPANY, INC. IS PROHIBITED.</small>	<small>DRAWN:</small> SMU	<small>CHECKED:</small> DZ	<small>SCALE: 12:1</small> <b>SMQ 250 XXX</b>
<small>DO NOT SCALE DRAWING</small>	<small>REV</small> <b>001</b>	<small>SHEET 1 OF 1</small>	

8 7 6 5 4 3 2 1