

MTS-D | Latch clamps, weldable, heavy-duty series

Steel



- 1
- 2
- 3
- 4
- 5
- 6
- 7
- 8
- 9
- 10
- 11
- 12
- 13
- 14
- 15
- 16
- 17
- 18

MATERIAL

Phosphated weldable steel.

PIN

Ground and hardened steel.

PULLING HOOK

Zinc-plated steel.

OSCILLATING PIN AND NUTS

Zinc-plated steel.

FEATURES AND APPLICATIONS

All articulated joints are lubricated with special grease.

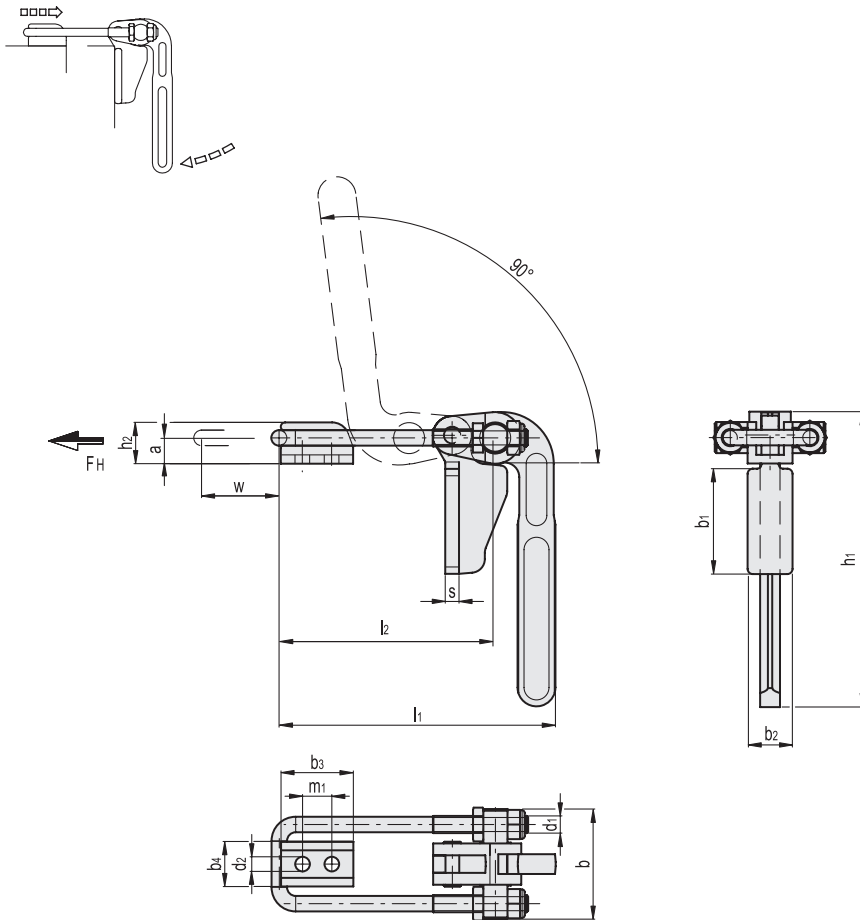
Tight closing of any cover.

they are suitable for use with high resistant torque thanks to high mechanical resistance of materials.

The position of the pulling hook can be adjusted in length according to the specific applications.

ACCESSORIES ON REQUEST

TRU: U-shaped pulling hooks of various dimensions (see page).



Toggle and fastening clamps

Code	Description	a	b	b1	b2	b3	b4	d1	d2	h1	h2	l	l2	m1	s	Stroke w	FH [N]*	
GG.AL552	MTS-D-1400-T3S	15	64	61	26	42	26	M10	8.5	171	24	159.5	125.5	17	8	50	12000	1115

* Holding force.