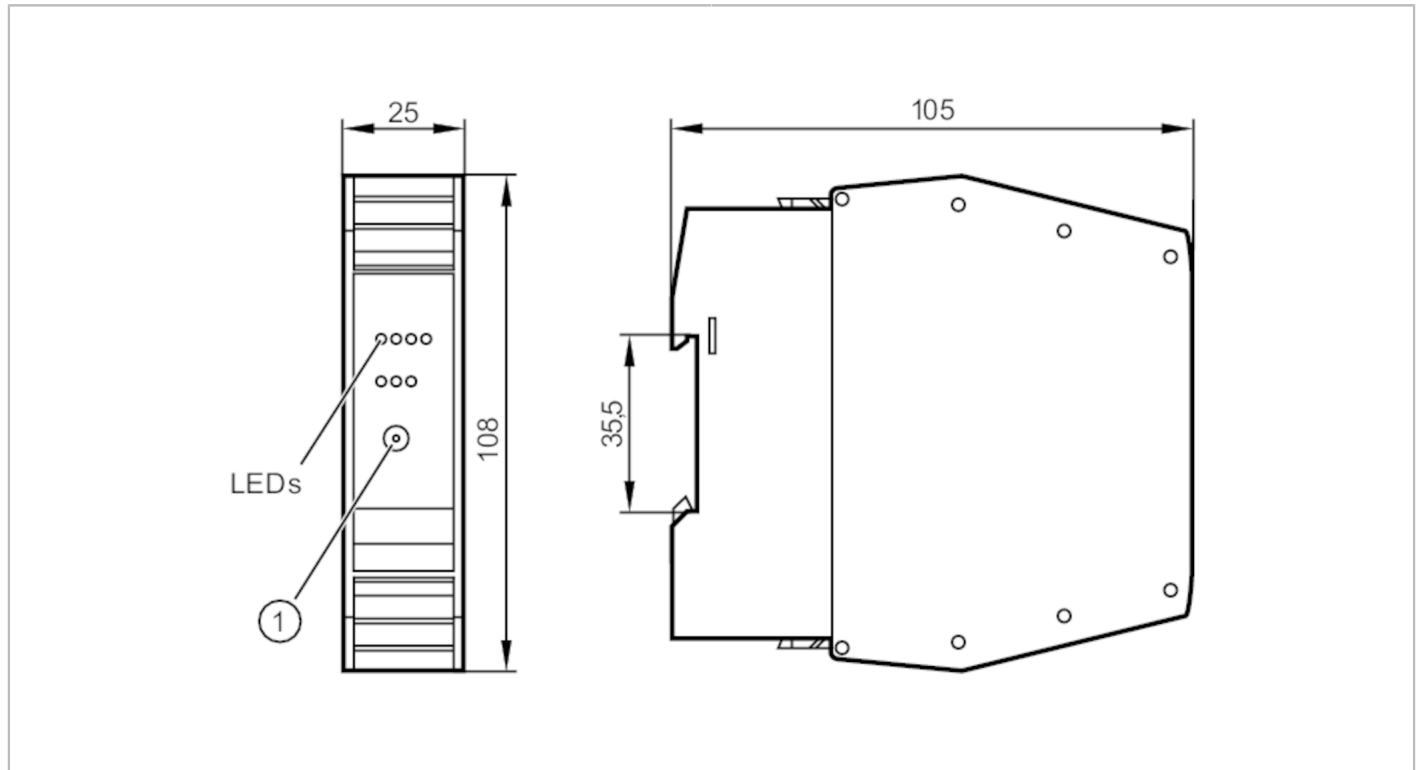


AC2250



AS-Interface control cabinet module

SmartL25 4DI C



| Electrical data | |
|---|-----------------------------|
| Operating voltage [V] | 26.5...31.6 DC |
| Max. current consumption from AS-i [mA] | 250 |
| Inputs / outputs | |
| Number of inputs and outputs | Number of digital inputs: 4 |
| Inputs | |
| Number of digital inputs | 4 |
| Input circuit of digital inputs | PNP |
| Sensor supply of the inputs | AS-i |
| Voltage supply [V] | 18...30 |
| Max. total current rating of inputs [mA] | 200 |
| Input current High [mA] | 6...10 |
| Input current Low [mA] | 0...2 |
| Min. switching level high signal [V] | 11 |
| Digital inputs protected against short circuits | yes |
| Operating conditions | |
| Ambient temperature [°C] | -25...70 |
| Note on ambient temperature | cRUus: -25...60 °C |
| Protection | IP 20 |



AS-Interface control cabinet module

SmartL25 4DI C

| Tests / approvals | | | | | |
|-----------------------------------|--|-----|-------------|-----|-----|
| EMC | EN 50295 | | | | |
| MTTF [years] | 391 | | | | |
| AS-i classification | | | | | |
| AS-i version | 2.1 | | | | |
| AS-i addressing | addressing socket | | | | |
| Extended addressing mode possible | yes | | | | |
| AS-i profile | S-0.A.E | | | | |
| AS-i I/O configuration [hex] | 0 | | | | |
| AS-i ID code [hex] | A.E | | | | |
| AS-i certificate | 35401 | | | | |
| Assignment of the data bits | data bit | D0 | D1 | D2 | D3 |
| | input | I-1 | I-2 | I-3 | I-4 |
| Mechanical data | | | | | |
| Weight [g] | 135 | | | | |
| Type of mounting | mounting on DIN rail; string mounting possible | | | | |
| Materials | PA | | | | |
| Displays / operating elements | | | | | |
| Display | switching status | | LED, yellow | | |
| | operation | | LED, green | | |
| | errors | | LED, red | | |
| Accessories | | | | | |
| Accessories (optional) | COMBICON connectors | | | | |
| Remarks | | | | | |
| Remarks | Do not connect any of the following points to an external potential: I-, I+, I1, I2, I3, I4 | | | | |
| | The connections are electrically connected with the AS-i cable. | | | | |
| Pack quantity | 1 pcs. | | | | |



AS-Interface control cabinet module

SmartL25 4DI C

Electrical connection

COMBICON:

Connection

| | | | |
|----|----|----|----|
| I- | I- | I- | I- |
| I1 | I2 | I3 | I4 |
| I+ | I+ | I+ | I+ |

| | | | |
|----|----|--|--|
| | | | |
| | | | |
| A+ | A- | | |

| | |
|---------|------------------------------|
| A+ | AS-i + |
| A- | AS-i - |
| I+ | Sensor supply +24V |
| I- | Sensor supply 0V |
| I1...I4 | switching input sensor 1...4 |