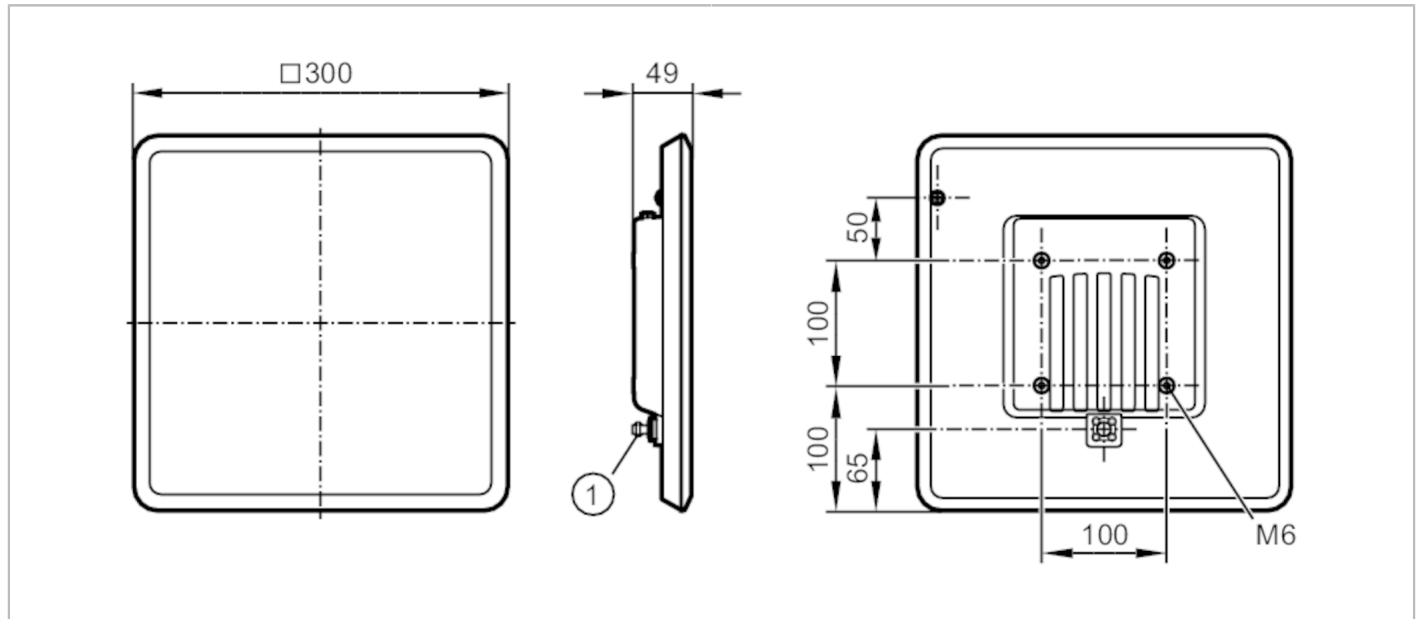


ANT860



RFID read/write head UHF

DTRUHFE_AGRWKOTN04



Electrical data		
Operating frequency	[MHz]	865...868 (ETSI); (865-867 MHz: India)
Antenna connections		1; (TNC socket)
Polarisation		circular
Transmission power ERP	[mW]	1995
Antenna gain	[dB]	8.5
Impedance	[Ω]	50
Detection zone		
Angle of aperture	[°]	65
Operating conditions		
Ambient temperature	[°C]	-40...70
Storage temperature	[°C]	-40...85
Protection		IP 67
Mechanical data		
Weight	[g]	2402.5
Housing		rectangular
Dimensions	[mm]	300 x 300 x 79
Materials		housing: aluminium; TNC socket: brass / PTFE; Protective cover: plastics;
Remarks		
Pack quantity		1 pcs.