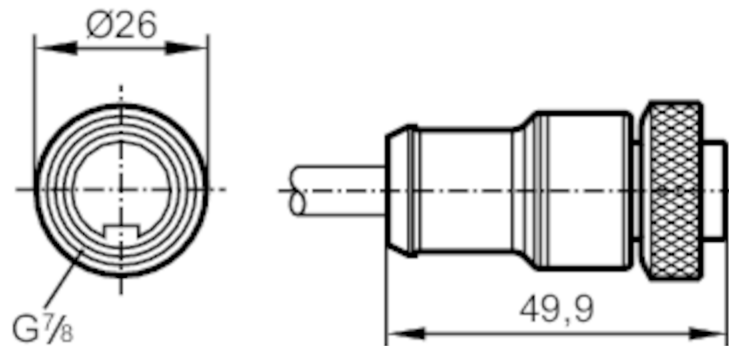


E11076



Connecting cable with socket

AD0GB050PLS0002E05



Electrical data

Operating voltage	[M]	< 250 AC
-------------------	-----	----------

Operating conditions

Ambient temperature	[°C]	-40...80
---------------------	------	----------

Protection		IP 68
------------	--	-------

Mechanical data

Weight	[g]	137.7
--------	-----	-------

Dimensions	[mm]	26 x 26 x 49.9
------------	------	----------------

Materials		TPU
-----------	--	-----

Material nut		diecast zinc
--------------	--	--------------

Remarks

Pack quantity		1 pcs.
---------------	--	--------

Electrical connection

Cable: 2 m, PVC, black; 5 x 0.5 mm² (16 x Ø 0.2 mm)

Electrical connection - socket

Connector: 1 x 7/8", straight; Moulded body: TPU; Locking: diecast zinc



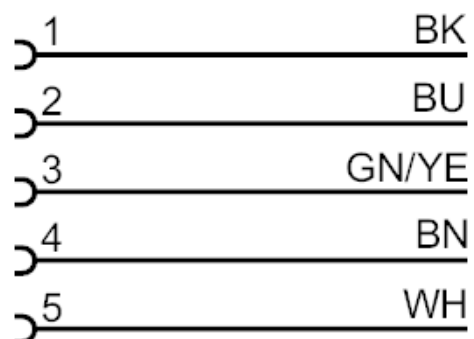
E11076



Connecting cable with socket

AD0GB050PLS0002E05

Connection



Core colours :

BK =	black
BN =	brown
BU =	blue
GN/YE =	green/yellow
WH =	white