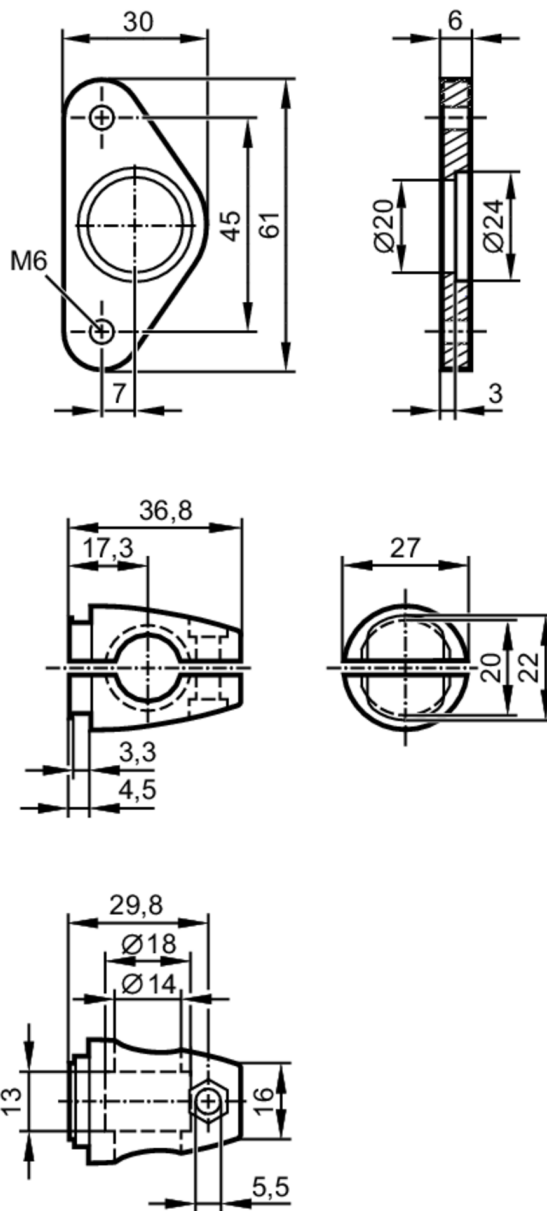


E3M103



Mounting set for 3D sensors

MOUNT SET BIG VISION SENSOR



Application	
Design	clamp mounting
Mechanical data	
Weight [g]	163.5
Type of mounting	Mounting rod; (Ø 14 mm)
Materials	fixture: stainless steel (1.4301 / 304); Clamp: stainless steel (1.4408)
Accessories	
Accessories (supplied)	cylinder screws: 2 x M6 x 85 / ISO 4762 (DIN 912)
Remarks	
Pack quantity	1 pcs.