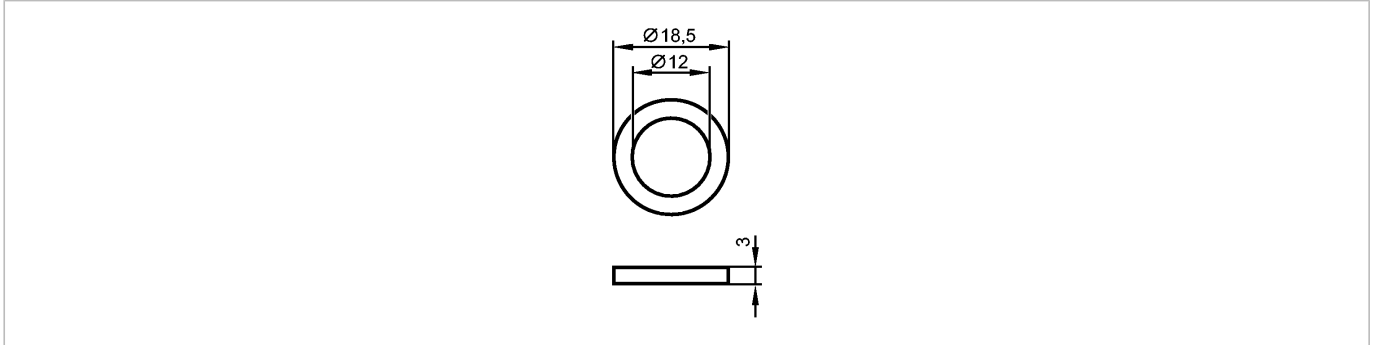




FLAT SEAL G1/2 CENTELLEN

Accessories



Product characteristics

Gasket

18.5 x 12 x 3

Mechanical data

for units with process connection

G 1/2

Housing materials

Centellen

Weight [kg]

0.009

Remarks

Pack quantity [piece]

10