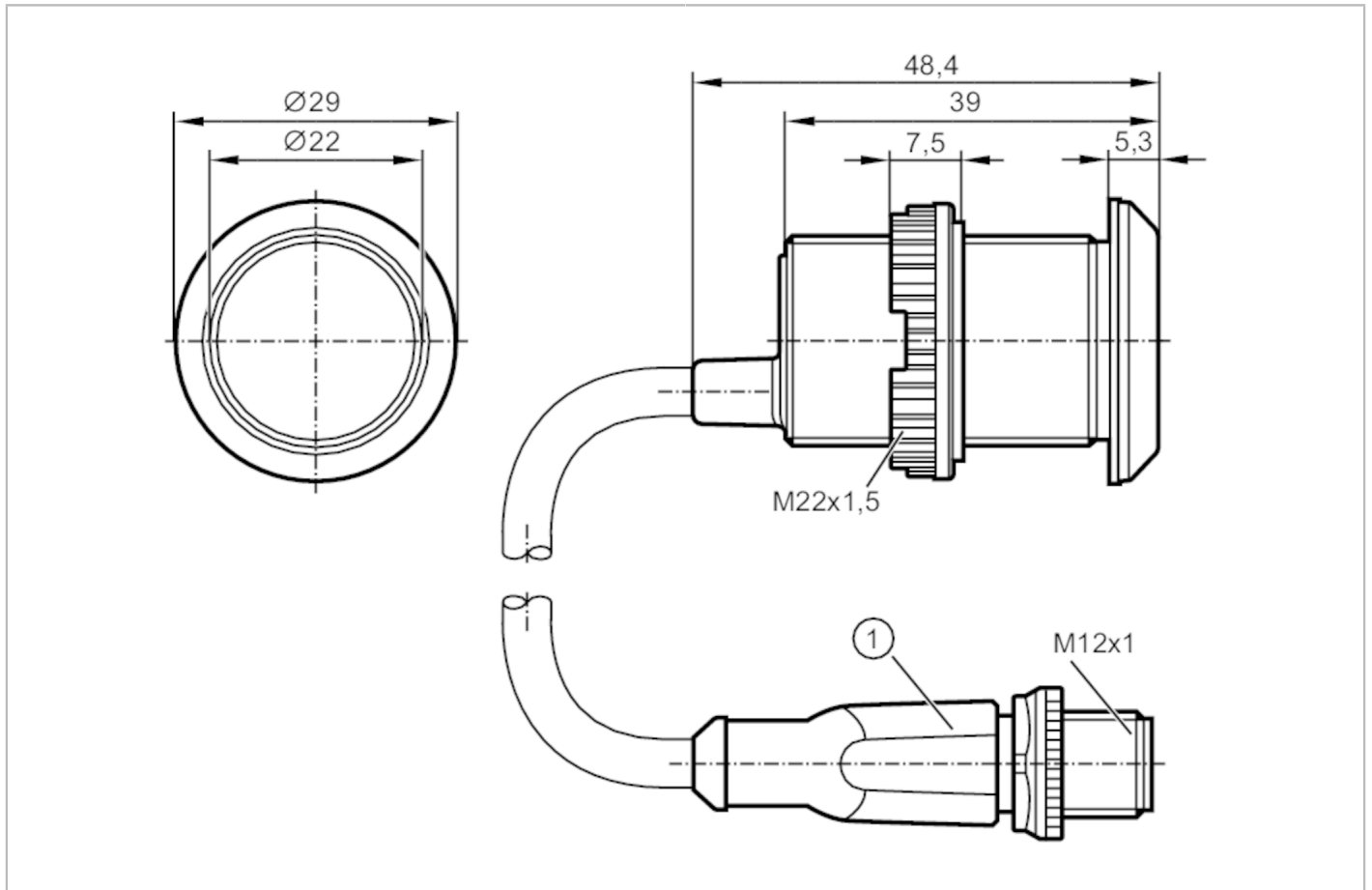


KT6101



Capacitive illuminated pushbutton

KTMEF-KMMFFKG/US/IO



Product characteristics

Electrical design	PNP/NPN
Output function	normally open / normally closed
Communication interface	IO-Link

Application

Operating principle	dynamic; (static; bistable parameterisable)
---------------------	---

Electrical data

Operating voltage	[V]	10...30 DC
Current consumption	[mA]	30
Protection class		III
Reverse polarity protection		yes

Outputs

Electrical design	PNP/NPN	
Output function	normally open / normally closed	
Permanent current rating of switching output DC	[mA]	150
Short-circuit protection		yes
Overload protection		yes

KT6101



Capacitive illuminated pushbutton

KTMEF-KMMFFKG/US/IO

Response times		
Response time [ms]	35	
Software / programming		
Parameter setting options	normally open / normally closed; PnP/nPn; statisch / dynamisch / bistabil / Ein-Ausschaltverzögerung; brightness; Aktivierungs- Operations- Inputfarbe; Sensitivität	
Interfaces		
Communication interface	IO-Link	
Transmission type	COM2 (38,4 kBaud)	
IO-Link revision	1.1	
SDCI standard	IEC 61131-9	
IO-Link device ID	1002 d / 00 03 EA h	
Profiles	Smart Sensor: Type 0 Generic Profiled Sensor; Identification and Diagnosis; Fixed Switching Signal Channel	
SIO mode	yes	
Required master port type	A	
Process data analogue	1	
Process data binary	1	
Min. process cycle time [ms]	3.5	
Operating conditions		
Ambient temperature [°C]	-20...80	
Protection	IP 65; IP 67; IP 69K; (on the front)	
Tests / approvals		
EMC	IEC 61000-4	
MTTF [years]	318	
Mechanical data		
Weight [g]	54	
Materials	PA 6.6-GF30 black; active face: PA Grilamid TR 90UV	
Displays / operating elements		
Display	1 x LED, blue / green / red / magenta / yellow / white / orange	
	preset	
	switching status	green
	operation	-
function	red	
Accessories		
Accessories (supplied)	lock nuts: 1 Gasket: 1	
Accessories (optional)	symbol disc	
Remarks		
Pack quantity	1 pcs.	
Electrical connection - plug		
Cable: 0.3 m, PUR		
Connector: 1 x M12		

KT6101

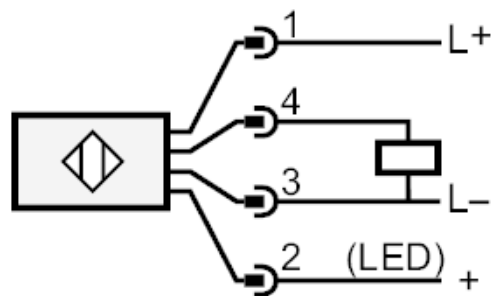


Capacitive illuminated pushbutton

KTMEF-KMMFFKG/US/IO



Connection



function display can be activated via PIN 2