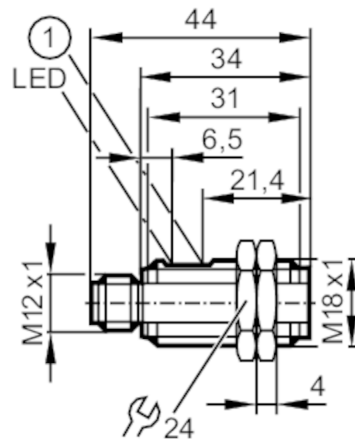


OGT102



Diffuse reflection sensor

OGT-HNKG/US



- 1 potentiometer
receiver in upper lens
transmitter in lower lens



Product characteristics

Type of light	red light
Housing	threaded type
Dimensions [mm]	M18 x 1 / L = 44

Application

Function principle	Diffuse reflection sensor
--------------------	---------------------------

Electrical data

Operating voltage [V]	10...30 DC
Current consumption [mA]	20
Protection class	III
Reverse polarity protection	yes
Type of light	red light

Outputs

Electrical design	NPN
Output function	light-on mode
Max. voltage drop switching output DC [V]	2.5
Permanent current rating of switching output DC [mA]	200
Switching frequency DC [Hz]	1000
Short-circuit protection	yes
Overload protection	yes

Detection zone

Range [mm]	10...400; (white paper 200 x 200 mm 90% remission)
Range adjustable	yes
Max. light spot diameter [mm]	25
Light spot dimensions refer to	at maximum range
Monitoring range final value [mm]	70...400

OGT102



Diffuse reflection sensor

OGT-HNKG/US

Operating conditions		
Ambient temperature	[°C]	-25...60
Protection		IP 65; (in conjunction with a corresponding connector)
Tests / approvals		
EMC		EN 60947-5-2
MTTF	[years]	894
Mechanical data		
Weight	[g]	15.1
Housing		threaded type
Dimensions	[mm]	M18 x 1 / L = 44
Thread designation		M18 x 1
Materials		housing: ABS
Lens material		PMMA
Displays / operating elements		
Display	switching status	1 x LED, yellow
Operating elements		potentiometer
Accessories		
Accessories (supplied)		lock nuts: 2 x
Remarks		
Pack quantity		1 pcs.

Electrical connection

Connector: 1 x M12



Connection

