

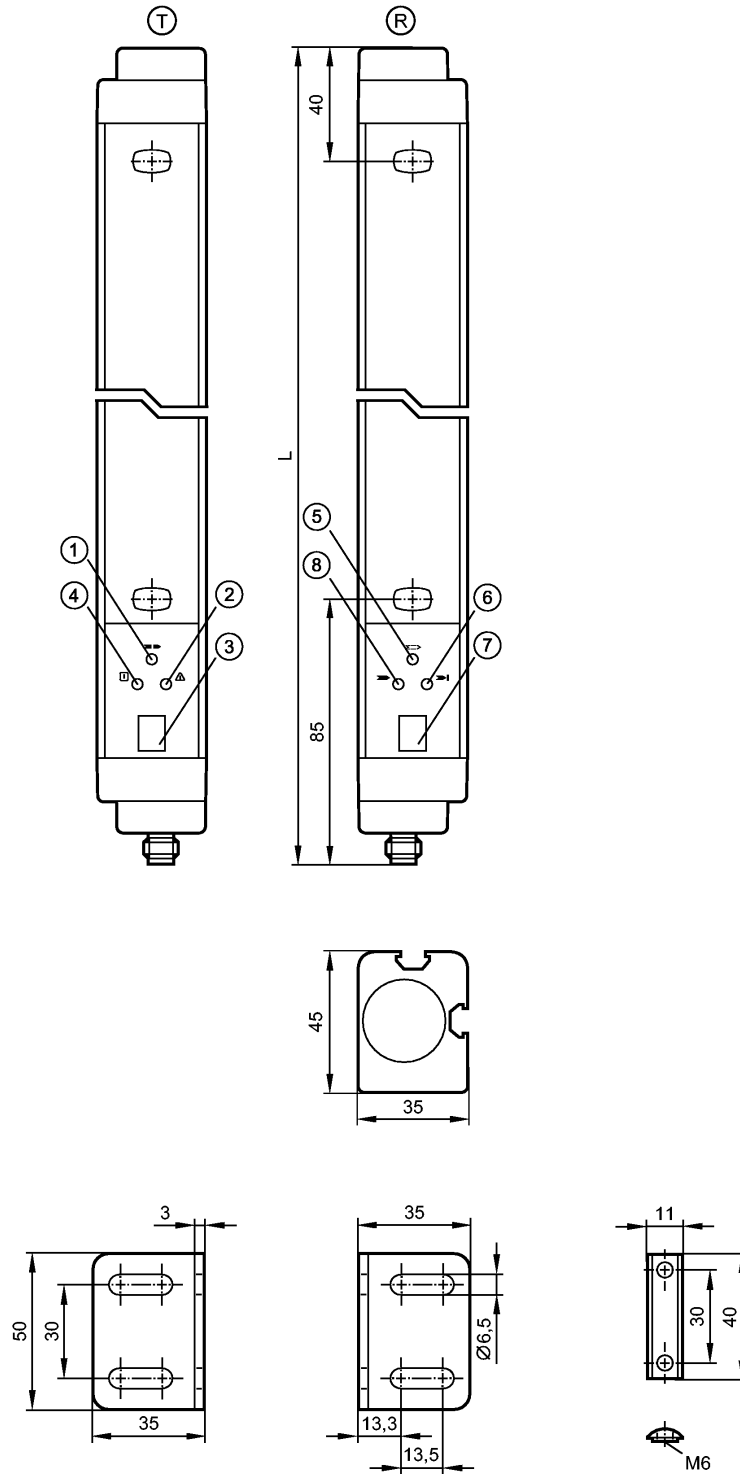
Please note the wiring of the sensor and the sockets (see data sheet) as for 8-pole sockets the core colours are not standardised.

efector200
OY801S



OYA0160-14-4-05-P-1-B

Photoelectric sensors



- T: Transmitter
- R: Receiver
- 1: LED yellow
- 2: LED red
- 3: 7-segment LED display
- 4: LED green

OY801S - Safety light curtain - eclass: 27270910 / 27-27-09-10

5: LED yellow
 6: LED red
 7: 7-segment LCD display
 8: LED green



Product characteristics

Safety light curtain

Length L: 261 mm

Connector

with floating blanking

Complies with the requirements:

type 4 (IEC 61496-1)

SIL 3 (IEC 61508)

SILcl 3 (IEC 62061)

PL e (EN ISO 13849-1)

Electrical data

Electrical design

Operating voltage [V]

DC PNP

24 DC (19.2...28.8)

Current consumption

- Transmitter [mA]

83

- Receiver [mA]

125

Type of light

Infrared light 950 nm

Protection class

III

Reverse polarity protection

yes

Power-on delay time [s]

< 18

Outputs

Outputs (OSSDs)

2 x PNP

Max. current load per output [mA]

500 (24 V)

Short-circuit protection

yes

Range

Protected area height [mm]

160

Resolution (detection capacity d)[mm]

14

Protected area width (range) [m]

0...3 / 0...5

Reaction times

Response time [ms]

6

Environment

Applications

Class C to EN 60654-1 weatherproof application

Ambient temperature [°C]

0...55

Max. relative air humidity [%]

95

Protection

IP 65

Tests / approvals

EMC

IEC 61496-1

Shock resistance

IEC 61496-1

Vibration resistance

IEC 61496-1

Safety classification

Mission time TM [h]

175200

Safety-related reliability PFHd [1/h]

1 E -08

MTTFd [Years]

100

DC/CCF/Cat.

97.8 % / 80 % / 4

Mechanical data

Length L [mm]

261

Housing materials

housing: aluminium; window: PC

Weight [kg]

3.36

Displays / operating elements

Display

Transmitter 3 LED

Transmitter 1 7-segment LCD display

Receiver 3 LED

OY801S - Safety light curtain - eclass: 27270910 / 27-27-09-10

	Receiver 1 7-segment LCD display
--	----------------------------------

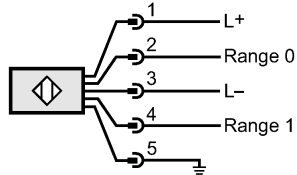
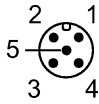
Electrical connection

Transmitter

Connection

M12 connector

Wiring Transmitter

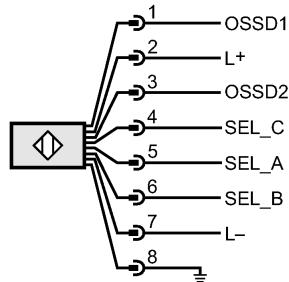
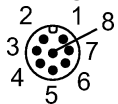


Receiver

Connection

M12 connector

Wiring Receiver



Max. connection cable length [m]	100 *)
----------------------------------	--------

Accessories

Accessories (included)

4 mounting brackets; 4 mounting nuts; screws

Remarks

Remarks

*) for wire cross-section 0.34 mm²

Pack quantity [piece]

1

ifm electronic gmbh • Friedrichstraße 1 • 45128 Essen — We reserve the right to make technical alterations without prior notice. — GB — OY801S — 14.11.2012
 Please note the wiring of the sensor and the sockets (see data sheet) as for 8-pole sockets the core colours are not standardised.