



Part no.: 50000071
HTK 82-24V
Reflector

Figure can vary

Contents

- Technical data
- Dimensioned drawings
- Electrical connection

Part no.: 50000071 – HTK 82-24V – Reflector

Technical data

Special design

Special design	Heating
----------------	---------

Electrical data

Performance data

Supply voltage U_B	24 ... 24 V , AC/DC
Power consumption, max.	2.8 W

Connection

Connection 1

Type of connection	Cable
Function	Voltage supply
Cable length	5,000 mm
Sheathing material	PVC
Cable color	Black
Number of conductors	2 -wire

Mechanical data

Design	Round
Mounting dimension, thickness	21 mm
Mounting dimension, diameter	93 mm
Reflection surface diameter	78 mm
Reflector material	Plastic
Material of base material	Plastic
Chemical designation, reflector material	PMMA8N
Structure, active surface	Triple
Net weight	364 g
Type of fastening	Through-hole mounting

Environmental data

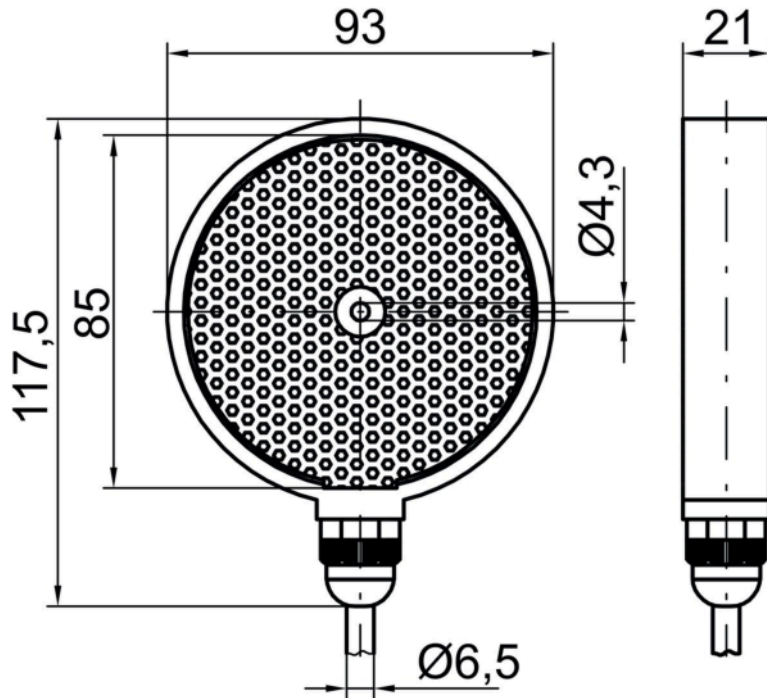
Ambient temperature, operation	-40 ... 70 °C
--------------------------------	---------------

Classification

Customs tariff number	39269097
eCl@ss 8.0	27279203
eCl@ss 9.0	27273601
ETIM 5.0	EC002467
ETIM 6.0	EC002467

Dimensioned drawings

All dimensions in millimeters



Electrical connection

Connection 1	
Type of connection	Cable
Function	Voltage supply
Cable length	5,000 mm
Sheathing material	PVC
Cable color	Black
Number of conductors	2 -wire
Wire cross section	

Pin	Conductor color
1	Blue
1	
2	Brown
2	