

**ABB CONTACTOR SUPPRESSOR**

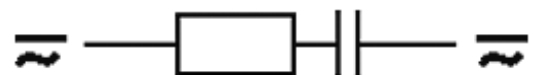
RC, 110VAC/DC

110 V AC/DC

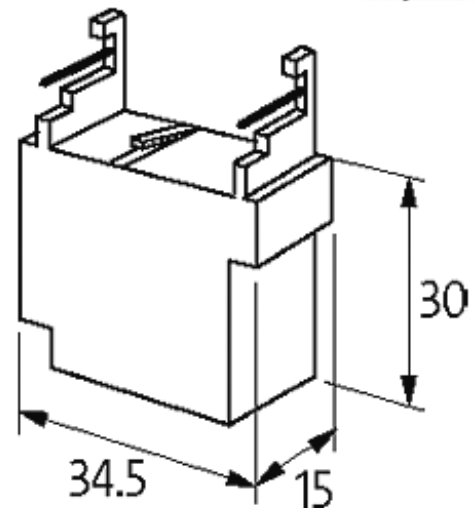
230 V AC/DC

RC

For other configurations and voltages, please inquire

[Link to Product](#)**Illustration**

RC



Product may differ from Image

### Approvals



### Appropriate contactors

A 9...A 16

### Technical Data

Damping factor	approx. 1.5 × UN
Material	Flame retardant plastic acc. to (UL 94)
Connection wires	Plug contact

### General data

Temperature range	-20...+70 °C
Dimensions H × W × D	40×34.5×15 mm

### Commercial data

country of origin	CZ
customs tariff number	85363010
minimum order quantity	1