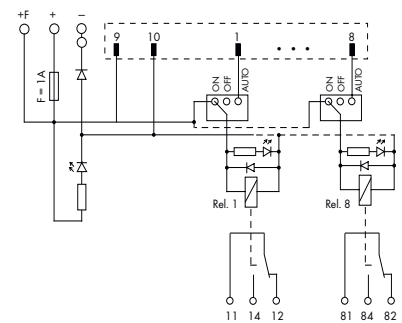
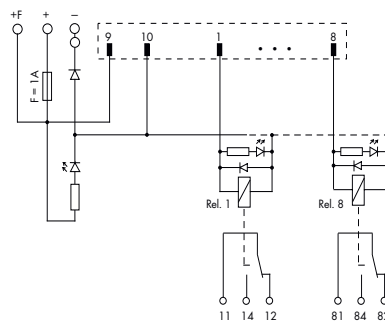
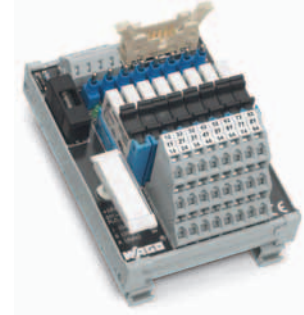


	<p>Relay output module with miniature switching relay for 8 channels, 1 changeover contact each (1 u) with integrated status indication, 10-pole connector acc. to DIN 41651</p>	<p>Relay output module with miniature switching relay for 8 channels, 1 changeover contact each (1 u) with integrated status indication and manual operation, 10-pole connector acc. to DIN 41651</p>
--	--	---



Description	Item No.	Pack. Unit
Switching relay module, for DIN 35 rail	704-5003	1

Technical Data		
Contact material	AgNi 90/10	AgNi 90/10
Contact type	1 changeover contact	1 changeover contact
Operating voltage	24 V DC (± 10 %)	24 V DC (± 10 %)
Max. switching voltage	250 V AC / 48 V DC	250 V AC / 48 V DC
Max. continuous current	5 A	5 A
Max. switching power (resistive)	1250VA / 50W	1250VA / 50W
Status indication	LED green : Channel LED yellow : Power supply	LED green : Channel LED yellow : Power supply
Mechanical life	10 x 10 <sup>6</sup> switching operations	10 x 10 <sup>6</sup> switching operations
Dielectric strength contact-coil (AC, 1 min)	4 kV	4 kV
Dielectric strength contact-contact	1 kV	1 kV
Fuse	Supply: 1 A Relay output: -	Supply: 1 A Relay output: -
Ambient operating temperature	-25 °C ... +40 °C	-25 °C ... +40 °C
Storage temperature	-40 °C ... +70 °C	-40 °C ... +70 °C
Dimensions (mm) L x W x H	70 x 65 x 105	70 x 65 x 105
incl. mounting carrier and relay	Height from upper-edge of DIN 35 rail	Height from upper-edge of DIN 35 rail
Wire connection	Inpu: 10-pole connector acc. to DIN 41651 Output: CAGE CLAMP®	Inpu: 10-pole connector acc. to DIN 41651 Output: CAGE CLAMP®
Cross sections	0.08 mm <sup>2</sup> ... 2.5 mm <sup>2</sup> / AWG 28 ... 12	0.08 mm <sup>2</sup> ... 2.5 mm <sup>2</sup> / AWG 28 ... 12
Strip length	5 ... 6 mm / 0.22 in	5 ... 6 mm / 0.22 in
Accessories	Spare relay 857-152	Spare relay 857-152