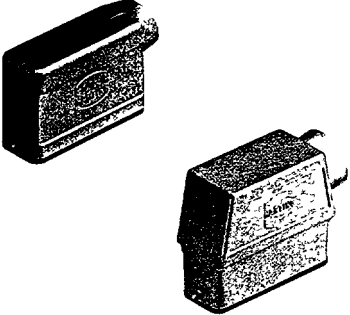
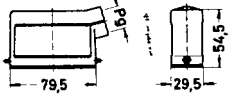
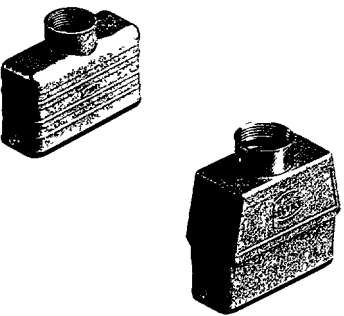
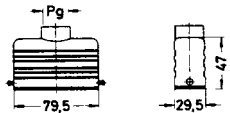
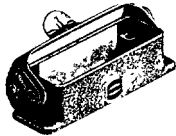
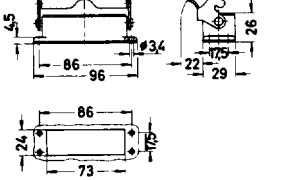
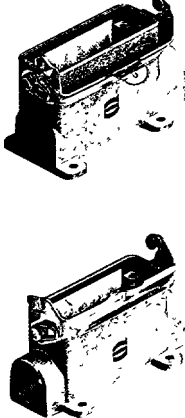
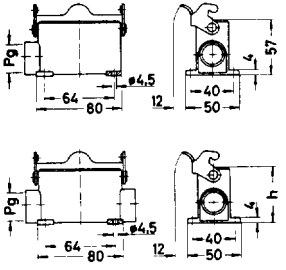
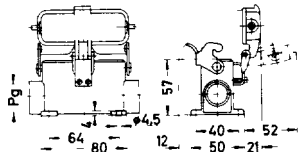


# Standard Hoods/Housings with 1 lever on the housing

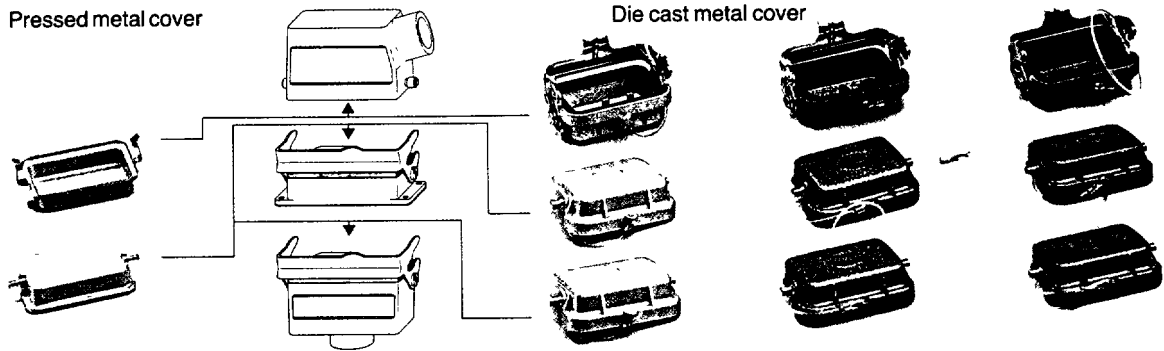


151-860 / 151-863

Identification	Part No.		Pg	Drawing	Dimensions in mm
	Low construction	High construction			
Hoods side-entry		09 20 016 1541			
		09 20 016 0540 09 20 016 0541			
Hoods top-entry		09 20 016 1441			
		09 20 016 0440 09 20 016 0441			
Housings bulkhead mounting		09 20 016 0301			
	with lockable cover 09 20 016 0318 *				
Housings surface mounting		1 side-entry	09 20 016 0251 09 20 016 0252	16 21	
		2 side-entry	09 20 016 1291	09 20 016 0291	
			with lockable cover 09 20 016 2297 *	21	

	h
Low construction	50
High construction	57

# Covers for use with 1 lever on the housing



Identification	Standard	Part No.		for Pg	for series					
		Han M	Han U		Han DD	Han D	Han E ES-X	Han A	Staf	
Pressed metal cover for hoods	09 30 006 5401				24		6			
Pressed metal cover for housings and hoods (cable to cable)	09 20 003 5401						7		3	6
	09 20 010 5402						15		10	14
	09 20 016 5403						25		16	20
	09 30 006 5404				24		6			
Die cast metal cover for hoods	09 20 003 5422 <sup>1)</sup>	09 37 003 5402 <sup>1)</sup>	09 36 003 5402 <sup>1)</sup>	13			7		3	6
	09 20 003 5421 <sup>2)</sup>	09 37 003 5401 <sup>2)</sup>	09 36 003 5401 <sup>2)</sup>	14						
	09 20 010 5423			16			15		10	14
	09 20 010 5422			21						
	09 20 016 5423			16			25		16	20
	09 20 016 5422			21						
	09 30 006 5423	09 37 006 5403		15	24		6			
Die cast metal cover for housings	09 20 003 5426 <sup>1)</sup>	09 37 003 5406 <sup>1)</sup>	09 36 003 5406 <sup>1)</sup>				7		3	6
	09 20 003 5425 <sup>2)</sup>	09 37 003 5405 <sup>2)</sup>	09 36 003 5405 <sup>2)</sup>							
	09 20 010 5425		09 36 015 5405				15		10	14
	09 20 016 5425						25		16	20
	09 30 006 5425	09 37 006 5405			24		6			
Die cast metal cover for hoods (cable to cable)	09 20 003 5428 <sup>1)</sup>	09 37 003 5408 <sup>1)</sup>	09 36 003 5408 <sup>1)</sup>				7		3	6
	09 20 003 5427 <sup>2)</sup>	09 37 003 5407 <sup>2)</sup>	09 36 003 5407 <sup>2)</sup>							
	09 30 006 5427	09 37 006 5407			24		6			

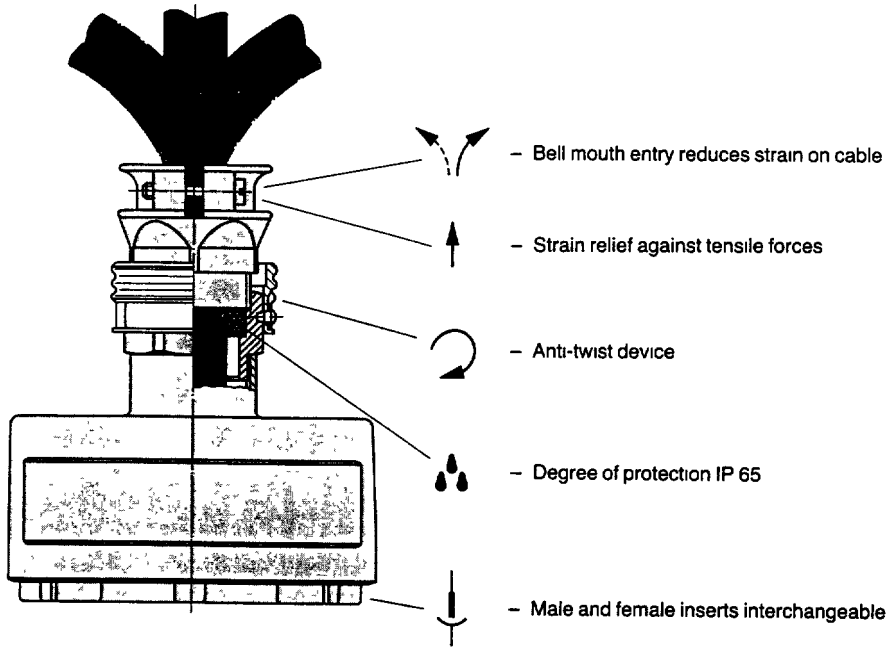
<sup>1)</sup> for hoods and housings with mounted male connector

<sup>2)</sup> for hoods and housings with mounted female connector

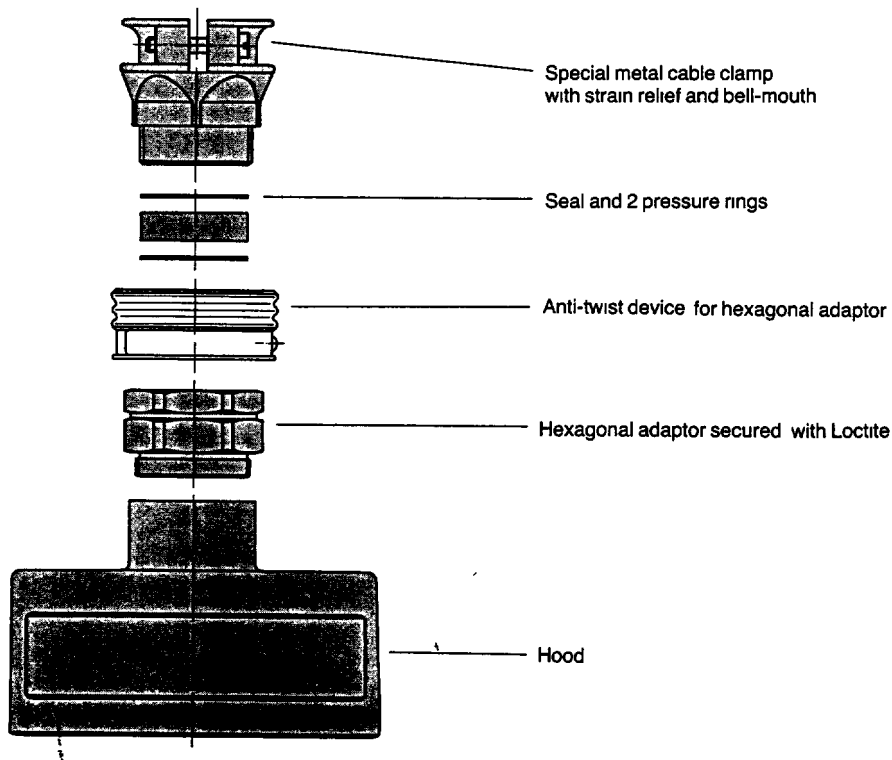
# Cable entry protection



## Special cable clamp with anti-twist device



### Assembly details for hoods with special cable clamp and anti-twist device



#### Assembly instructions

- The special cable clamp, pressure rings and seal must first be slid onto the prepared cable.
- The anti-twist device can be fitted to the hood or the hexagonal adaptor as shown, ensuring that it is in its inoperative position
- The insert may now be wired and fixed in the hood.
- Slide the seal and pressure rings into position.
- Screw in the special cable clamp until cable entry is sealed ensuring that the upper and lower hexagonal sections are in alignment.
- Move the anti-twist device towards the special cable clamp until the sprung securing pin is in the locked position (see assembled connector drawing above).
- Tighten the strain relief clamp.