

R31200

Stainless steel AISI 316L high pressure regulator,
for compressed air, gas and liquids



FEATURES

High pressure regulator for cylinder or manifold; standard version inlet pressure up to 220 bar (3190 psi), higher pressure for special version.

Ideal for industrial application and for welding equipment.

Inlet connection by nipple and hexagon nut G $\frac{3}{4}$ -F. Other connections available on request.

The main valve is balanced for outlet pressure up to 50 bar, for a constant outlet pressure when varying the upstream pressure.

Outlet pressure up to 15 bar (218 psi) is controlled by a diaphragm; greater outlet pressure is controlled by a piston.

Available the ATEX 2014/34/EU version.

Brand X II2GcIICTX

X II2DcIICTX.

For use in potentially explosive atmospheres zones: 1, 21, 2, 22 (not for mines and zone 0).

Available the EAC-EX TP TC 012/2011 version for the Russian market.

The product complies with the directive 2014/68/EU PED.

SPECIFICATIONS

Gauges: accuracy class 1,6

Regulator weight: ~4.3 Kg (~9,5 lb)

Standard version operating temperature: -20°C ÷ +60°C (-4°F ÷ 140° F)

Main valve leakage classification: VI (bubble tight)

Flow coefficient: $K_v = 0.25 \text{ Nm}^3/\text{h}$ ($C_v = 0,29 \text{ US gal/min}$)

Degree of protection: IP25

MATERIALS

Body and bonnet: stainless steel AISI 316L

Internal parts: stainless steel AISI 316L

Adjusting spring: stainless steel AISI 302/C85 nickel plated NiP/Fe 10 µm, not in contact with the fluid

Main valve spring: stainless steel AISI 302/C85 nickel plated NiP/Fe 10 µm, not in contact with the fluid

Diaphragm (for outlet pressure up to 15 bar): stainless steel AISI 316L

Piston (for greater outlet pressure): stainless steel AISI 316L

O-rings: EPDM or FPM depending on the fluid (other compounds available on request)

Main valve gasket: PTFE + carbon

ACCESSORIES

Ring-nut P35018030304

Kit bracket and ring-nut M1B306

Pilot operated version, pressure setpoint to be controlled by a pilot regulator.

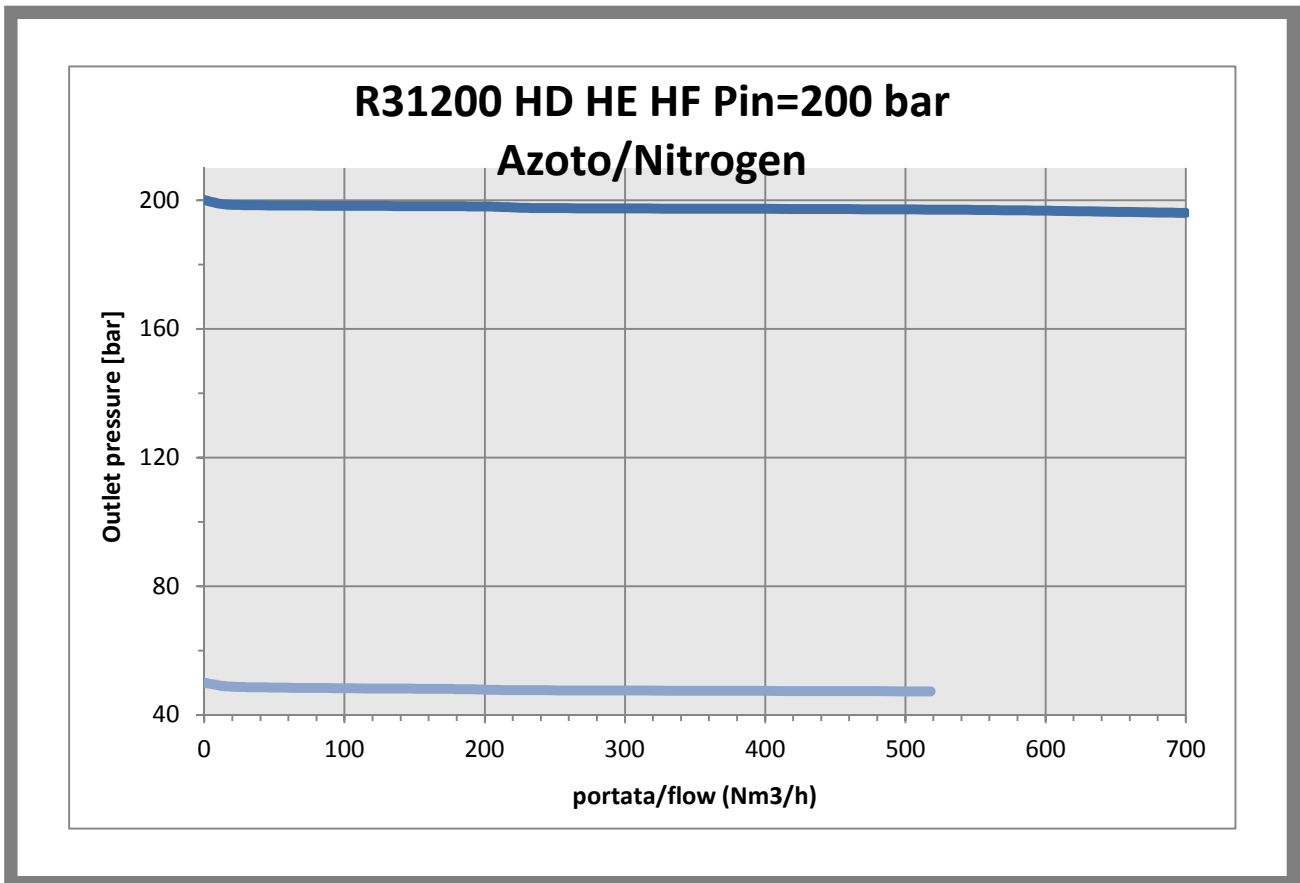
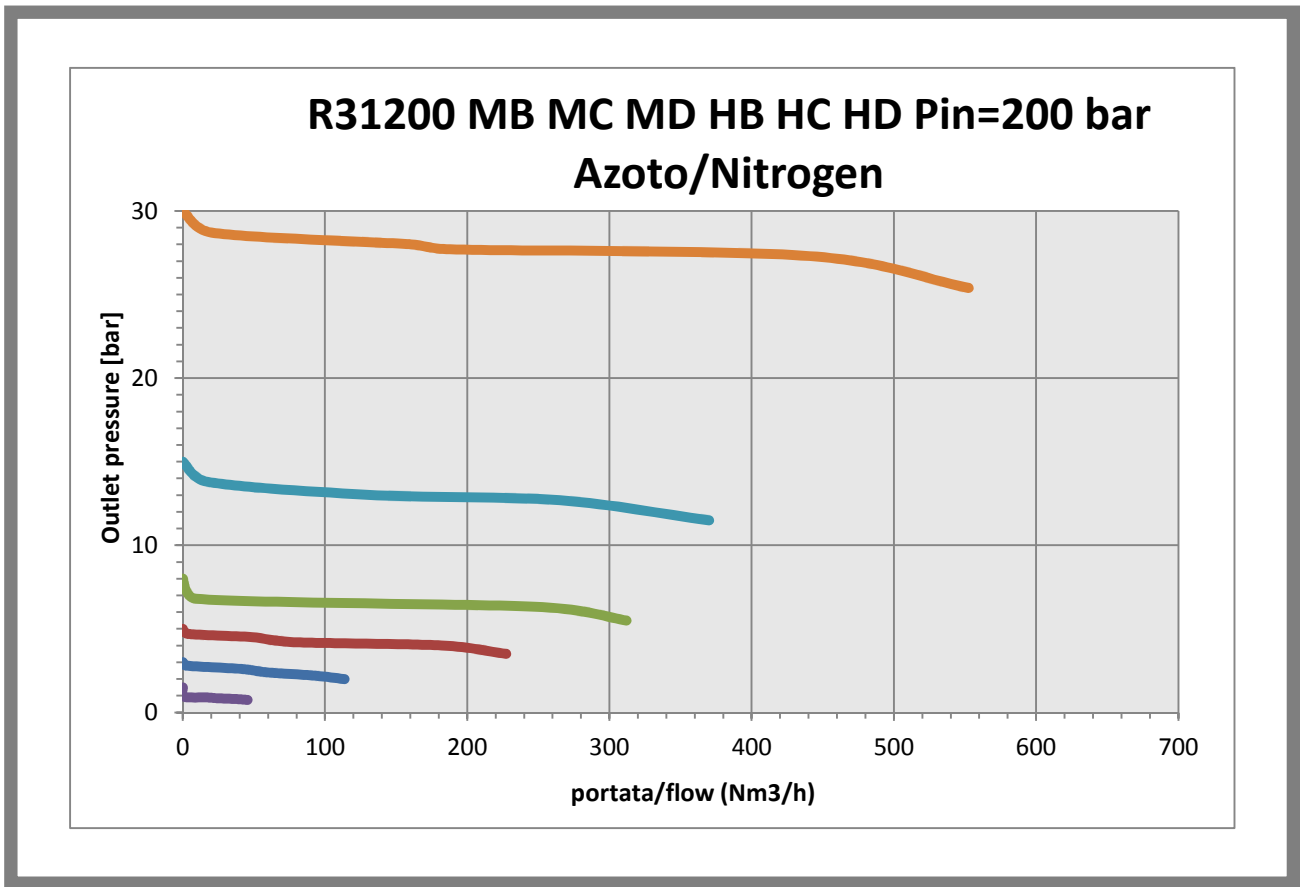
SPARE PARTS

Gauges

Relief valve

Complete kit: gaskets, assembled diaphragm, filter, main valve, O-rings

flow charts



generating the product code

REGOLATORE R31200 AISI 316			
AA BB CC DD E FF			
AA	Attacchi / Connections	00	Vedi tipo di fluido, tabella DD
		02	G 3/4-F Girevole
BB	Pressione d'ingresso / Inlet pressure	J0	PS 220 bar
		L0	PS 80 bar
CC	Intervallo d'uscita/ Outlet range	E0	Pout 1,5 - 15 bar ^(B)
		FO	Pout 3-30 bar ^(B)
		G0	Pout 5-50 bar ^(B)
		V0	Pout 20-200 bar
		X0	Pout 10-100 bar
DD	Tipologia di fluido / Fluid type	98	EPDM
		99	FPM
		U5	UNI 11144-5
E	Marchiato / Marked	I	ID
		Z	Dir ATEX 2014/34/EU
FF	Accessori/Accessories	00	Nessun accessorio
		05	Pretarato
		11	Scarico convogliato

(B): Regolatore bilanciato/ Balanced regulator

CODE COMPOSITION EXAMPLE

31200# 02 J0 E0 98 I 00

31200#: Regulator R31200 AISI 316L

02: Nipple and G3/4-F nut

J0: Inlet pressure 220 bar

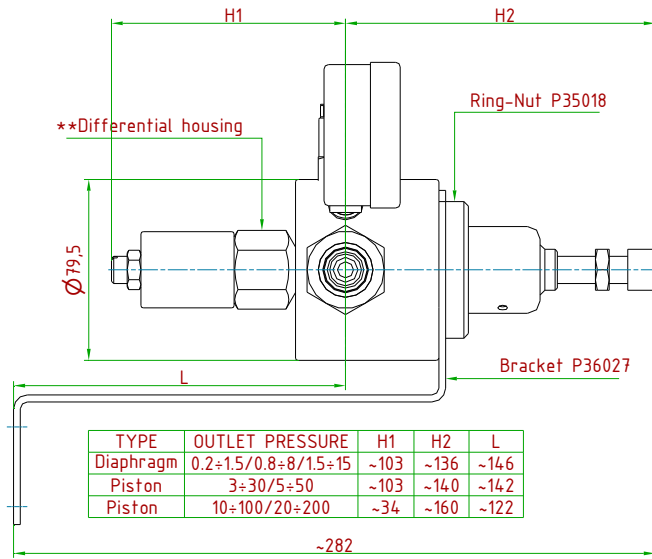
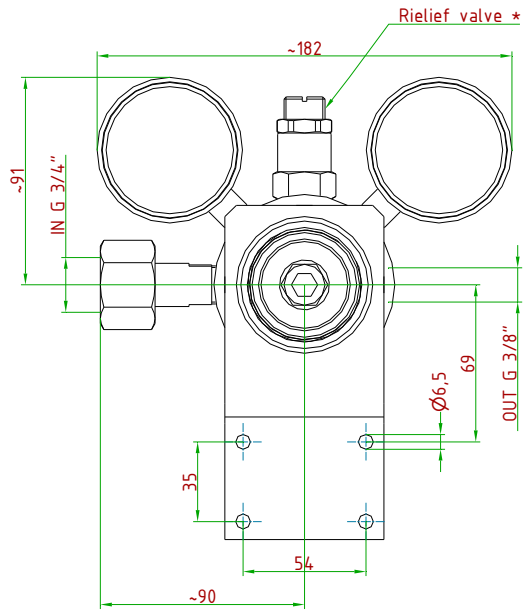
E0: Outlet pressure range 1,5-15 bar

98: EPDM gaskets

I: Insert Deal

00: No accessories

technical drawings (all dimensions in mm)



TYPE	OUTLET PRESSURE	H1	H2	L
Diaphragm	0.2÷1.5/0.8÷8/15÷15	~103	~136	~146
Piston	3÷30/5÷50	~103	~140	~142
Piston	10÷100/20÷200	~34	~160	~122

Bracket to be ordered separately, Kit order number: M1B306
 * No Relief valve for type piston 100/200 bar
 ** No differential housing for type piston 100/200 bar

MODEL	IN	OUT
R31200 3/4"GF	G3/4-F	G3/8-F
R31200 3/4"GF SX	G3/4-F SX	G3/8-F

Other connections available on request

ID Insert Deal Srl

Strada dei Boschi, 40
20852 Villasanta (MB) Italia
tel. +39 039 302035
info@idinsertdeal.com
www.idinsertdeal.com

ID Insert Deal si riserva il diritto di cambiare le specifiche del prodotto senza preavviso.
ID Insert Deal reserves the right to change and/or modify product specifications without prior notice.

Insert Deal non si assume alcuna responsabilità per la scelta, uso e manutenzione di qualsiasi prodotto. La responsabilità per l'ideale scelta, uso e manutenzione di qualsiasi prodotto ID rimane interamente a carico dell'acquirente.

Insert Deal does not assume responsibility for selection, use and maintenance of any products. Responsibility for proper selection, use and maintenance of any ID products remains entirely to the purchaser.

Riproduzione vietata. Tutti i diritti riservati; nessuna parte del presente documento può essere riprodotta senza autorizzazione di ID Insert Deal Srl.
Reproduction forbidden. All rights reserved; the hereby document can't be reproduced, also partially, without the authorization of ID Insert Deal Srl.

PRESSURE REGULATOR_R31200_EN_04



Azienda con sistema di gestione qualità certificato.
certificato N° 50 100 9191
Company with certificated quality management system.
certificate N° 50 100 9191