



Pushing Performance



People | Power | Partnership

## HARTING Han<sup>®</sup> Hoods and Housings—PG entries

---



Contents

Page

Technical Characteristics . . . . .		<b>30.02</b>
<b>Size Han® 3 A</b>	Standard Hoods/Housings . . . . .	<b>30.04</b>
	Han® M . . . . .	<b>30.09</b>
	Han® EMC . . . . .	<b>30.11</b>
	Han® HPR. . . . .	<b>30.13</b>
<b>Size Han® 10 A</b>	Standard Hoods/Housings . . . . .	<b>30.14</b>
	Han® EMC . . . . .	<b>30.16</b>
<b>Size Han® 16 A</b>	Standard Hoods/Housings . . . . .	<b>30.17</b>
	Han® EMC . . . . .	<b>30.19</b>
<b>Size Han® 32 A</b>	Standard Hoods/Housings . . . . .	<b>30.20</b>
<b>Size Han® 6 B</b>	Standard Hoods/Housings . . . . .	<b>30.24</b>
	Han® M . . . . .	<b>30.29</b>
	Han® EMC . . . . .	<b>30.31</b>
	Han® EMC/B . . . . .	<b>30.32</b>
	Han® HPR. . . . .	<b>30.34</b>
<b>Size Han® 10 B</b>	Standard Hoods/Housings . . . . .	<b>30.36</b>
	Han-Drive® . . . . .	<b>30.42</b>
	Han® M . . . . .	<b>30.47</b>
	Han® EMC . . . . .	<b>30.49</b>
	Han® EMC/B . . . . .	<b>30.50</b>
	Han® HPR. . . . .	<b>30.52</b>
<b>Size Han® 16 B</b>	Standard Hoods/Housings . . . . .	<b>30.54</b>
	Han® Easy Hood. . . . .	<b>30.57</b>
	Han® M . . . . .	<b>30.65</b>
	Han® EMC . . . . .	<b>30.67</b>
	Han® EMC/B . . . . .	<b>30.68</b>
	Han® HPR. . . . .	<b>30.69</b>
<b>Size Han® 24 B</b>	Standard Hoods/Housings . . . . .	<b>30.72</b>
	Han® Easy Hood. . . . .	<b>30.76</b>
	Han® M . . . . .	<b>30.83</b>
	Han® EMC . . . . .	<b>30.85</b>
	Han® EMC/B . . . . .	<b>30.86</b>
	Han® HPR. . . . .	<b>30.87</b>
<b>Size Han® 32 B</b>	Standard Hoods/Housings . . . . .	<b>30.89</b>
<b>Size Han® 48 B</b>	Standard Hoods/Housings . . . . .	<b>30.91</b>

Han Hoods  
Housings

Note: Han® hoods and housing with NPT-thread also available by HARTING Inc. of North America, USA

## Han® 3 A Standard Hoods/Housings Metal hoods/housings for industrial applications

Material	zinc die-cast
Colour	RAL 7037 (grey)
Surface	powder-coated
Locking element	steel, zinc-plated
Lever type	lever, metal
Hoods/Housings seal	NBR
Limiting temperatures	-40 °C ... +125 °C
Flammability acc. to UL 94	V 0
Degree of protection acc. to DIN EN 60 529 for coupled connector	IP 44 IP 67 is achieved with seal screw 09 20 000 9918

## Han-Drive® Housings for motor applications

Material	aluminium die-cast
Colour	non coloured / RAL 7037 (grey)
Surface	electrical conductive / powder-coated / unpainted
Locking element	Stainless steel
Lever type	Han-Easy Lock®
Hoods/Housings seal	NBR
Limiting temperatures	-40 °C ... +125 °C
Approval acc. to UL 50	NEMA Type 4/4X/12
Degree of protection acc. to DIN EN 60 529 for coupled connector	IP 65

## Han® 3 A Hoods/Housings Plastic hoods/housings for industrial applications

Material	thermoplastic
Colour	RAL 7032 (light grey) / RAL 9005 (black)
Lever type	lever, plastic
Hoods/Housings seal	NBR
Limiting temperatures	-40 °C ... +125 °C
Approval acc. to UL 50	NEMA Type 4/4X/12
Flammability acc. to UL 94	V 0
Degree of protection acc. to DIN EN 60 529 for coupled connector	IP 67

## Han® 3 M Hoods/Housings Hoods/Housings for higher environmental requirements

Material	zinc die-cast
Colour	RAL 9005 (black)
Surface	- Top coat
Locking element	Epoxy powder paint
Lever type	Stainless steel
Hoods/Housings seal	lever, metal
Limiting temperatures	FPM
Corrosion resistance	-40 °C ... +125 °C
Degree of protection acc. to DIN EN 60 529 for coupled connector	ASTM B117-09 (500 h)
	IP 44 IP 67 is achieved with seal screw 09 20 000 9918

## Han® Standard Hoods/Housings Metal hoods/housings for industrial applications

Material	aluminium die-cast
Colour	RAL 7037 (grey)
Surface	powder-coated
Locking element	Stainless steel
Lever type	Han-Easy Lock®
Hoods/Housings seal	NBR
Limiting temperatures	-40 °C ... +125 °C
Approval acc. to UL 50	NEMA Type 4/4X/12
Degree of protection acc. to DIN EN 60 529 for coupled connector	IP 65

## Han® M Hoods/Housings Hoods/Housings for higher environmental requirements

Material	aluminium die-cast
Colour	RAL 9005 (black)
Surface	- Top coat
Locking element	Epoxy powder paint
Lever type	Stainless steel
Hoods/Housings seal	lever, metal
Limiting temperatures	FPM
Approval acc. to UL 50	-40 °C ... +125 °C
Corrosion resistance	NEMA Type 4/4X/12
Degree of protection acc. to DIN EN 60 529 for coupled connector	ASTM B117-09 (500 h)
	IP 65

## Han® 3 EMC Hoods/Housings Hoods/Housings for higher EMC requirements

Material	zinc die-cast
Colour	non coloured
Surface	electrical conductive
Locking element	steel, zinc-plated
Lever type	lever, metal
Hoods/Housings seal	NBR
Limiting temperatures	-40 °C ... +125 °C
Degree of protection acc. to DIN EN 60 529 for coupled connector	IP 44 IP 67 is achieved with seal screw 09 20 000 9918

## Han® EMC Hoods/Housings Hoods/Housings for higher EMC requirements

Material	aluminium die-cast
Colour	non coloured
Surface	electrical conductive
Locking element	
- central locking lever	Stainless steel
- Screw locking	M5
- Material	Stainless steel
- Tightening torque	3 Nm
Hoods/Housings seal	NBR
Limiting temperatures	-40 °C ... +125 °C
Approval acc. to UL 50	NEMA Type 4/4X/12
Degree of protection acc. to DIN EN 60 529 for coupled connector	IP 65

## Han® EMC/B Hoods/Housings Hoods/Housings for higher EMC requirements

Material	
- Hoods/Housings	aluminium die-cast
- shielded frames	zinc die-cast alloy
Colour	non coloured
Surface	
- Hoods/Housings	electrical conductive
- shielded frames	electrical conductive
Locking element	Stainless steel
Lever type	Han-Easy Lock®
Hoods/Housings seal	NBR
Limiting temperatures	-40 °C ... +125 °C
Approval acc. to UL 50	NEMA Type 4/4X/12
Degree of protection acc. to DIN EN 60 529 for coupled connector	IP 65

## Han® 3 HPR Hoods/Housings Hoods/Housings for harsh environmental requirements


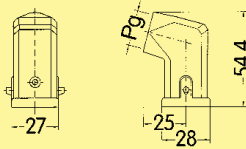

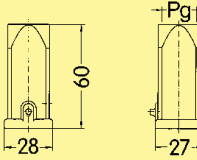

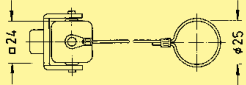
Material	zinc die-cast
Colour	RAL 9005 (black)
Surface	
- Top coat	Epoxy powder paint / chromated
Locking element	
- Screw locking	M4
- Material	Stainless steel
- Tightening torque	2 Nm
Hoods/Housings seal	NBR
Limiting temperatures	-40 °C ... +125 °C
Corrosion resistance	ASTM B117-09 (500 h)
Degree of protection acc. to DIN EN 60 529 for coupled connector	IP 68 / IP 69K

Attention  
The sealing on the insert has to be removed.

## Han® HPR Hoods/Housings Hoods/Housings for harsh environmental requirements

Material	aluminium die-cast, corrosion resistant
Colour	RAL 9005 (black)
Surface	
- Top coat	Epoxy powder paint
Locking element	
- Screw locking	M6
- Material	Stainless steel
- Tightening torque	4 Nm
- Toggle locking	
- Material	Stainless steel
Hoods/Housings seal	NBR
Limiting temperatures	-40 °C ... +125 °C
Approval acc. to UL 50	NEMA Type 4/4X/12
Corrosion resistance	ASTM B117-09 (500 h)
Degree of protection acc. to DIN EN 60 529 for coupled connector	IP 68 / IP 69K (does not apply to Han® 48 HPR)


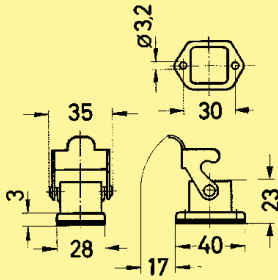

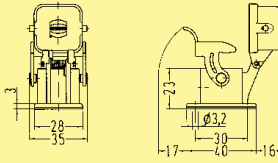

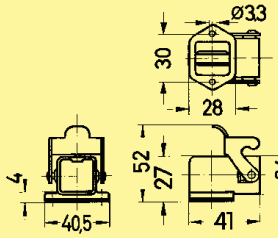

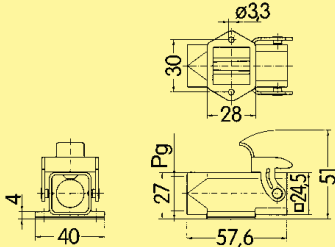
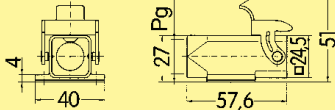

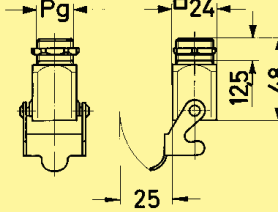
Metal hoods/housings for industrial applications / 1 lever locking system

Identification	Part number	Pg	Drawing	Dimensions in mm
<p>Hoods</p> <p>side entry</p> 	<b>09 20 003 1640</b>	1 x 11		
<p>Hoods</p> <p>top entry</p> 	<b>09 20 003 1440</b>	1 x 11		
<p>Protection covers for hoods</p> 	<b>09 20 003 5422<sup>2)</sup></b> <b>09 20 003 5421<sup>1)</sup></b>			

Han Hoods  
Housings

<sup>1)</sup> for mounted female insert  
<sup>2)</sup> for mounted male insert

Metal hoods/housings for industrial applications / 1 lever locking system


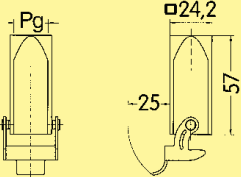

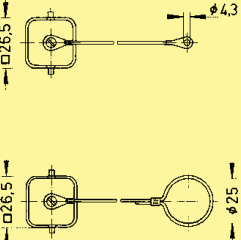
Identification	Part number	Pg	Drawing	Dimensions in mm
Housings, bulkhead mounting		<b>09 20 003 0301</b>		Panel cut out 22 x 22 mm
		<b>09 20 003 0305<sup>2)</sup></b> <b>09 20 003 0306<sup>1)</sup></b>		Panel cut out 22 x 22 mm
		<b>09 20 003 0801</b>		Panel cut out 22 x 22 mm
Housings, surface mounting top entry		<b>09 20 003 1250</b>		Panel cut out 22 x 22 mm
	bottom closed	<b>09 20 003 1252</b>		Panel cut out 22 x 22 mm
Housings, screw mounting top entry		<b>09 20 003 0102</b>		

Han Hoods Housings

<sup>1)</sup> for mounted female insert  
<sup>2)</sup> for mounted male insert

Stock items in bold type

Metal hoods/housings for industrial applications / 1 lever locking system


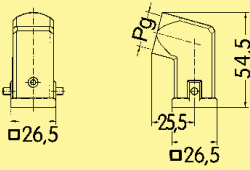

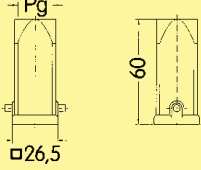

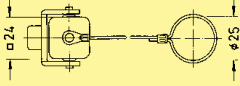
Identification	Part number	Pg	Drawing	Dimensions in mm
<p>Hoods, cable to cable top entry</p> 	<p><b>09 20 003 1750</b></p>	<p>1 x 11</p>		<p>Ø24,2</p>
<p>Protection covers</p> 	<p>for housings <b>09 20 003 5426<sup>2)</sup></b> for housings <b>09 20 003 5425<sup>1)</sup></b> for hoods cable to cable <b>09 20 003 5428<sup>2)</sup></b> for hoods cable to cable <b>09 20 003 5427<sup>1)</sup></b></p>			

Han Hoods  
Housings


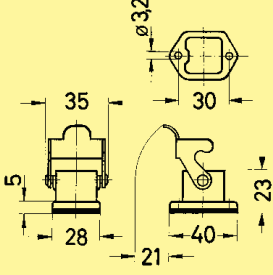

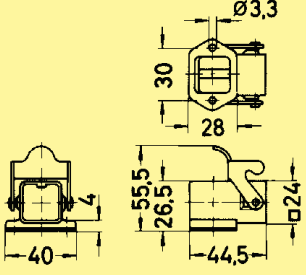
<sup>1)</sup> for mounted female insert  
<sup>2)</sup> for mounted male insert



Plastic hoods/housings for industrial applications / 1 lever locking system

Identification	Part number	Pg	Drawing	Dimensions in mm
<p>Hoods</p> <p>side entry</p> 	<p>light grey 09 20 003 0620</p> <p>black 09 20 003 0627</p>	<p>1 x 11</p> <p>1 x 11</p>		
<p>Hoods</p> <p>top entry</p> 	<p>light grey <b>09 20 003 0420</b></p> <p>black 09 20 003 0427</p>	<p>1 x 11</p> <p>1 x 11</p>		
<p>Protection covers for hoods</p> 	<p>light grey 09 20 003 5442<sup>3)</sup></p> <p>light grey 09 20 003 5441<sup>2)</sup></p>			

Plastic hoods/housings for industrial applications / 1 lever locking system


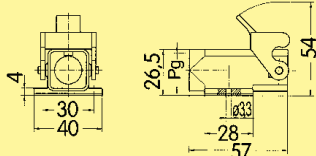

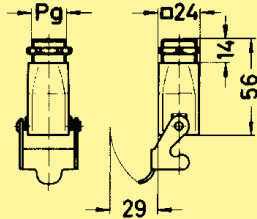

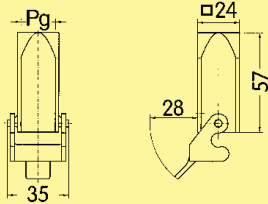

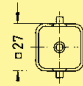

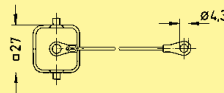

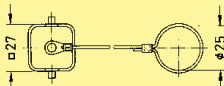
Identification	Part number	Pg	Drawing	Dimensions in mm
<p>Housings, bulkhead mounting</p> 	<p>light grey <b>09 20 003 0320</b></p> <p>black 09 20 003 0327</p>		 <p>Panel cut out 22 x 22 mm</p>	
	<p>light grey <b>09 20 003 0820</b></p> <p>black 09 20 003 0827</p>		 <p>Panel cut out 22 x 22 mm</p>	

Han Hoods Housings

<sup>1)</sup> for metal housings and cable to cable hoods also <sup>3)</sup> for mounted male insert  
<sup>2)</sup> for mounted female insert or for mounted Han-Brid® insert

Stock items in bold type


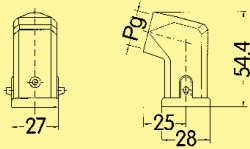

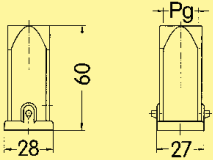

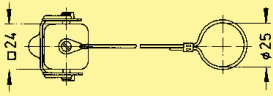
## Plastic hoods/housings for industrial applications / 1 lever locking system

Identification	Pg	Drawing	Dimensions in mm
Housings, surface mounting top entry 	light grey <b>09 20 003 0220</b> black 09 20 003 0227	1 x 11 1 x 11	 Panel cut out 22 x 22 mm
Housings, screw mounting top entry 	light grey 09 20 003 0120	1 x 13.5	
Hoods, cable to cable top entry 	light grey <b>09 20 003 0720</b> black 09 20 003 0727	1 x 11 1 x 11	
Protection covers 	light grey 09 20 003 5407 <sup>1)</sup> light grey 09 20 003 5408 <sup>1,2)</sup>		
Protection cover with lanyard 	light grey <b>09 20 003 5445<sup>3)</sup></b> light grey 09 20 003 5446 <sup>3)</sup> black 09 20 003 5449 <sup>2)</sup> black 09 20 003 5450 <sup>3)</sup>		
Protection covers for hoods cable to cable 	light grey 09 20 003 5447 <sup>2)</sup> light grey 09 20 003 5448 <sup>3)</sup>		


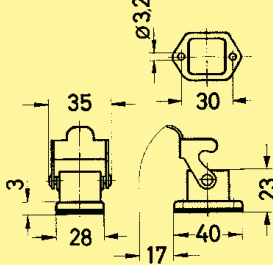

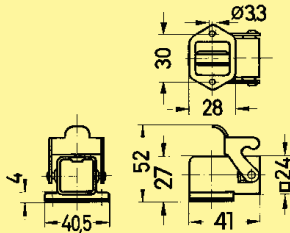
Han Hoods  
Housings

<sup>1)</sup> for metal housings and cable to cable hoods also  
<sup>2)</sup> for mounted female insert or for mounted Han-Brid® insert  
<sup>3)</sup> for mounted male insert

Hoods/Housings for higher environmental requirements / 1 lever locking system

Identification	Part number	Pg	Drawing	Dimensions in mm
Hoods side entry 	09 37 003 1640	1 x 11		
Hoods top entry 	09 37 003 1440	1 x 11		
Protection covers 	09 37 003 5402 <sup>2)</sup> 09 37 003 5401 <sup>1)</sup>			

Hoods/Housings for higher environmental requirements / 1 lever locking system


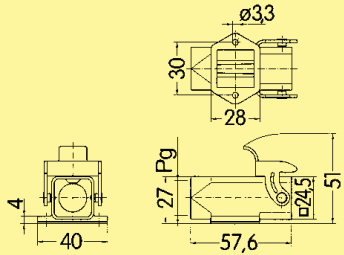

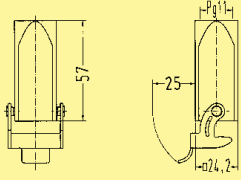

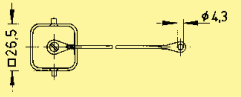
Identification	Part number	Pg	Drawing	Dimensions in mm
Housings, bulkhead mounting 	09 37 003 0301		 <p>Panel cut out 22 x 22 mm</p>	
	09 37 003 0801		 <p>Panel cut out 22 x 22 mm</p>	

Han Hoods  
Housings

<sup>1)</sup> for mounted female insert  
<sup>2)</sup> for mounted male insert

Stock items in bold type

Hoods/Housings for higher environmental requirements / 1 lever locking system

Identification	Part number	Pg	Drawing	Dimensions in mm
<p>Housings, surface mounting top entry</p> 	<p>09 37 003 1250</p>	<p>1 x 11</p>	 <p>Panel cut out 22 x 22 mm</p>	
<p>Hoods, cable to cable top entry</p> 	<p>09 37 003 1750</p>	<p>1 x 11</p>		
<p>Protection covers for housings</p> 	<p>09 37 003 5405<sup>1)</sup> 09 37 003 5406<sup>2)</sup></p>			


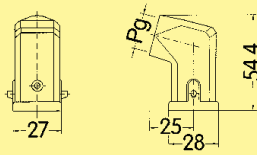

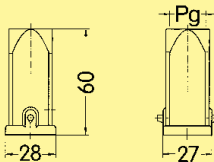
Han Hoods  
Housings

30  
10


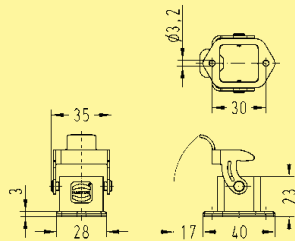

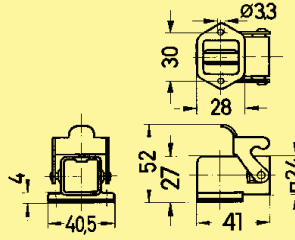

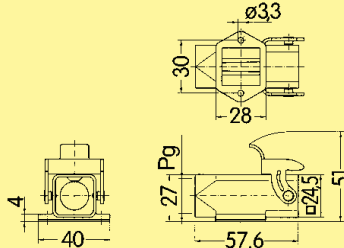
<sup>1)</sup> for mounted female insert  
<sup>2)</sup> for mounted male insert

Stock items in bold type

Hoods/Housings for higher EMC requirements / 1 lever locking system


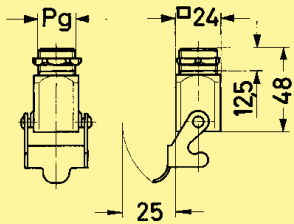

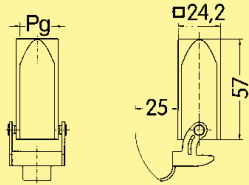
Identification	Part number	Pg	Drawing	Dimensions in mm
Hoods side entry 	<b>09 62 003 1640</b>	<b>1 x 11</b>		-27 -25 -28 Pg -54,4
Hoods top entry 	<b>09 62 003 1440</b>	<b>1 x 11</b>		Pg 60 -28 -27

Hoods/Housings for higher EMC requirements / 1 lever locking system

Identification	Part number	Pg	Drawing	Dimensions in mm
Housings, bulkhead mounting 	<b>09 62 003 0301</b>			ø33,2 35 30 3 28 17 40 23 Panel cut out 22 x 22 mm
	<b>09 62 003 0801</b>			ø33 30 28 4 40,5 52 27 41 24 Panel cut out 22 x 22 mm
Housings, surface mounting top entry 	<b>09 62 003 1250</b> bottom closed <b>09 62 003 1252</b>	<b>1 x 11</b> <b>1 x 11</b>		ø33 30 28 4 40 27 Pg 51 24,5 57,6 Panel cut out 22 x 22 mm


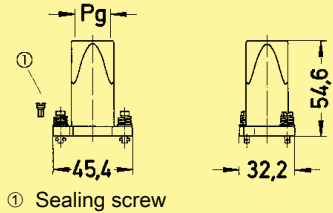

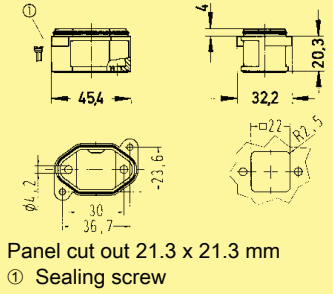
Han Hoods  
Housings

Hoods/Housings for higher EMC requirements / 1 lever locking system


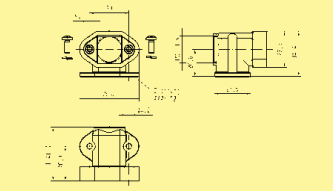

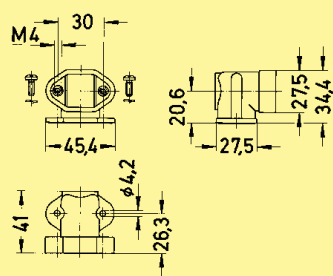
Identification	Part number	Pg	Drawing	Dimensions in mm
Housings, screw mounting top entry	 09 62 003 0102	1 x 13.5		
Hoods, cable to cable top entry	 09 62 003 1750	1 x 11		

Han Hoods  
Housings

## Hoods/Housings for harsh environmental requirements / Screw/toggle locking system

Identification		Part number		Pg	Drawing	Dimensions in mm
		Toggle locking	screw			
Hoods top entry		chromated <b>09 40 003 0402<sup>1)</sup></b> Epoxy powder paint 09 40 703 0402 <sup>1)</sup>		1 x 13.5  1 x 13.5		
Housings, bulk- head mounting		chromated <b>09 40 003 0301<sup>1)</sup></b> Epoxy powder paint 09 40 703 0301 <sup>1)</sup>				

## Accessories

Identification		Part number		Pg	Drawing	Dimensions in mm	
		Toggle locking	screw				
Adaptor for assembly of bulkhead mounted housings in angled position, with Pg- entry			chromated <b>09 40 003 0901</b> Epoxy powder paint 09 40 703 0901	1 x 13.5  1 x 13.5			
Adaptor for assembly of bulkhead mounted housings in angled position			chromated <b>09 40 003 0902</b> Epoxy powder paint 09 40 703 0902	chromated <b>09 40 003 0902</b> Epoxy powder paint 09 40 703 0902	—  —		

Han Hoods  
Housings

<sup>1)</sup> with sealing screw; sealing on the insert has to be removed

Stock items in bold type

Metal hoods/housings for industrial applications / 1 lever locking system

Identification	Part number		Pg	Drawing	Dimensions in mm
	Low construction	High construction			
Hoods side entry		<b>09 20 010 1541</b>	1 x 16		
		<b>09 20 010 0540</b> <b>09 20 010 0541</b>			
Hoods top entry		<b>09 20 010 1440</b>	1 x 13.5		
Protection covers		metal <b>09 20 010 5423</b>	metal <b>09 20 010 5423</b>		


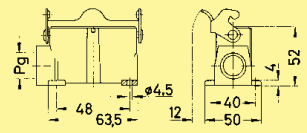
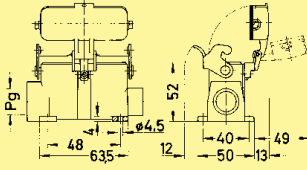
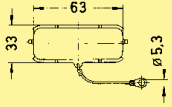
Han Hoods  
Housings

Metal hoods/housings for industrial applications / 1 lever locking system

Identification	Part number		Pg	Drawing	Dimensions in mm
	Low construction	High construction			
Housings, bulkhead mounting		<b>09 20 010 0301</b> with thermo- plastic cover <b>09 20 010 0321</b>			
				Panel cut out	


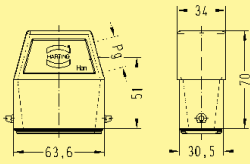

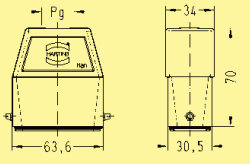


Metal hoods/housings for industrial applications / 1 lever locking system


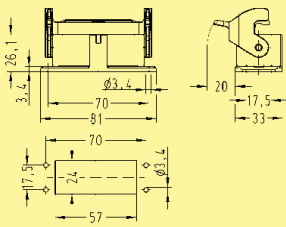
Identification	Part number		Pg	Drawing	Dimensions in mm
	Low construction	High construction			
Housings, surface mounting side entry  side entry		<b>09 20 010 0251</b> 09 20 010 0291	1 x 16 2 x 16		
		with thermo-plastic cover 09 20 010 0221 with thermo-plastic cover 09 20 010 0296	1 x 16 2 x 16		
Protection covers		metal <b>09 20 010 5425</b>			

Han Hoods  
Housings

Hoods/Housings for higher EMC requirements / 1 lever locking system

Identification	Part number	Pg	Drawing	Dimensions in mm
Hoods side entry 	09 62 015 0540 09 62 015 0541	1 x 16 1 x 21		63,6 34 70 30,5 51
Hoods top entry 	09 62 015 0440 09 62 015 0441	1 x 16 1 x 21		63,6 34 70 30,5

Hoods/Housings for higher EMC requirements / 1 lever locking system

Identification	Part number	Pg	Drawing	Dimensions in mm
Housings, bulkhead mounting 	09 62 015 0301			26,1 3,4 70 81 70 17,5 24 57 20 17,5 33 Panel cut out

Han Hoods  
Housings

Metal hoods/housings for industrial applications / 1 lever locking system


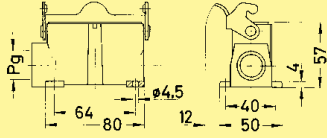
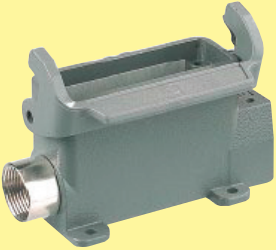
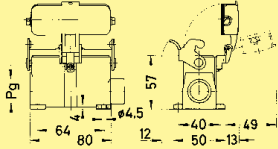
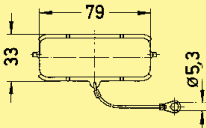
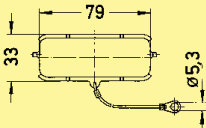
Identification	Part number		Pg	Drawing	Dimensions in mm
	Low construction	High construction			
Hoods side entry	<b>09 20 016 1541</b>		1 x 16		79,5 29,5 61,5
side entry		<b>09 20 016 0540</b> <b>09 20 016 0541</b>	1 x 16 1 x 21		79,5 36 70,5
Hoods top entry	<b>09 20 016 1441</b>		1 x 16		79,5 29,5 47
top entry		<b>09 20 016 0440</b> <b>09 20 016 0441</b> 09 20 016 0801	1 x 16 1 x 21 -		79,5 36 70,5
Protection covers	metal 09 20 016 5423	metal 09 20 016 5423			

Han Hoods  
Housings

Metal hoods/housings for industrial applications / 1 lever locking system

Identification	Part number		Pg	Drawing	Dimensions in mm
	Low construction	High construction			
Housings, bulkhead mounting	<b>09 20 016 0301</b> with thermo- plastic cover <b>09 20 016 0321</b>				4,5 12 86 96 86 24 73 17,5 1,5 26 17,5 22 - 29
				Panel cut out	

Metal hoods/housings for industrial applications / 1 lever locking system

Identification	Part number		Pg	Drawing	Dimensions in mm
	Low construction	High construction			
Housings, surface mounting side entry 	<b>09 20 016 0251</b>		1 x 16		
	<b>09 20 016 0252</b>		1 x 21		
	<b>09 20 016 0291</b>		2 x 16		
side entry 	with thermo-plastic cover 09 20 016 0221		1 x 16		
	with thermo-plastic cover 09 20 016 0222		1 x 21		
	with thermo-plastic cover 09 20 016 0296		2 x 16		
Protection covers 	metal <b>09 20 016 5425</b>				

Han Hoods  
Housings



Metal hoods/housings for industrial applications / 2 lever locking system


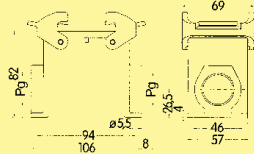

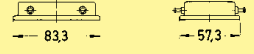
Identification	Image	Part number		Pg	Drawing	Dimensions in mm
		Low construction	High construction			
Hoods side entry		<b>09 20 032 1520</b>		1 x 21		82 x 60
Hoods side entry			<b>09 20 032 0520</b> <b>09 20 032 0521</b>	1 x 21 1 x 29		82 x 79
Hoods top entry			<b>09 20 032 0420</b> <b>09 20 032 0421</b>	1 x 21 1 x 29		82 x 79
Dust protection cover		09 20 032 5401	09 20 032 5401			67 x 56

Metal hoods/housings for industrial applications / 2 lever locking system

Han Hoods Housings	Identification	Part number		Pg	Drawing	Dimensions in mm
		Low construction	High construction			
	Housings, bulkhead mounting	<b>09 20 032 0301</b>				92 x 69

\* usable for two inserts of size 16 A  
Stock items in bold type

Metal hoods/housings for industrial applications / 2 lever locking system

Identification	Part number		Pg	Drawing	Dimensions in mm
	Low construction	High construction			
Housings, surface mounting side entry 		09 20 032 0230 09 20 032 0231 09 20 032 0270 09 20 032 0271	1 x 21 1 x 29 2 x 21 2 x 29	 <p>Blind way for one cable entry</p>	
Dust protection cover 	09 20 032 5405	09 20 032 5405			

Han Hoods  
Housings

\* usable for two inserts of size 16 A  
Stock items in bold type

Metal hoods/housings for industrial applications / 2 lever locking system

Identification	Part number		Pg	Drawing	Dimensions in mm
	Low construction	High construction			
Hoods side entry		09 20 032 1530	1 x 21		
		09 20 032 0530 09 20 032 0531	1 x 21 1 x 29		
Hoods top entry		09 20 032 0430 09 20 032 0431	1 x 21 1 x 29		

Metal hoods/housings for industrial applications / 2 lever locking system


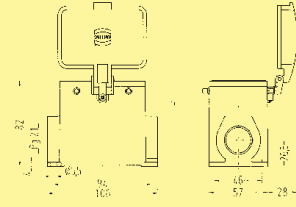
Identification	Part number		Pg	Drawing	Dimensions in mm
	Low construction	High construction			
Housings, bulkhead mounting		with thermo-plastic cover 09 20 032 0302			
				Panel cut out	

Han Hoods  
Housings


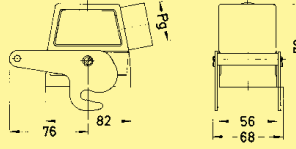

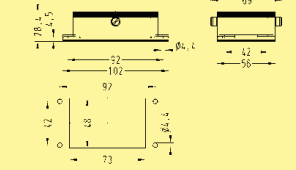
\* usable for two inserts of size 16 A  
Stock items in bold type



Metal hoods/housings for industrial applications / 2 lever locking system

Identification	Part number		Pg	Drawing	Dimensions in mm
	Low construction	High construction			
Housings, surface mounting side entry 		with thermo-plastic cover 09 20 032 0220	1 x 21	 <p>1) Blind way for one cable entry</p>	
		with thermo-plastic cover 09 20 032 0221	1 x 29		
		with thermo-plastic cover 09 20 032 0260	2 x 21		
		with thermo-plastic cover 09 20 032 0261	2 x 29		


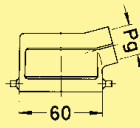
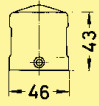

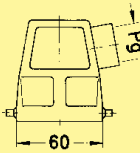


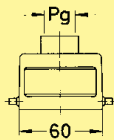
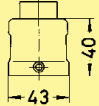

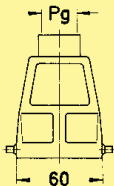
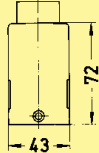

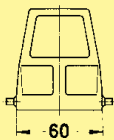
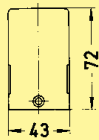
Metal hoods/housings for industrial applications / 1 central locking lever locking system

Identification	Part number		Pg	Drawing	Dimensions in mm
	Low construction	High construction			
Hoods side entry 		09 20 032 0581	1 x 29		
Housings, bulkhead mounting 	09 20 032 0381			 <p>Panel cut out</p>	


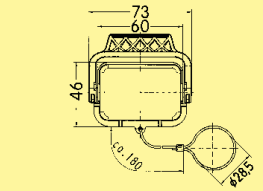

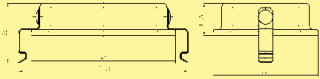
Han Hoods  
Housings

\* usable for two inserts of size 16 A  
Stock items in bold type


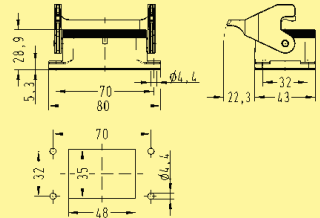
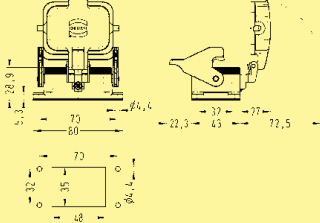
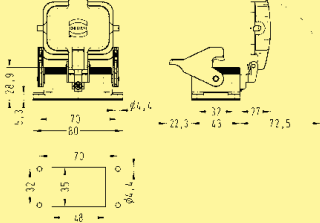
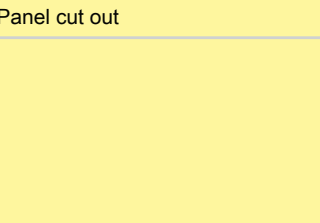
Metal hoods/housings for industrial applications / 1 lever locking system

Identification	Image	Part number		Pg	Drawing	Dimensions in mm
		Low construction	High construction			
Hoods side entry		<b>09 30 006 1540</b> <b>09 30 006 1541</b>		1 x 13.5 1 x 16		
side entry			<b>09 30 006 0542</b> <b>09 30 006 0543</b>	1 x 21 1 x 29		
Hoods top entry		<b>09 30 006 1440</b> <b>09 30 006 1441</b>		1 x 13.5 1 x 16		
top entry			<b>09 30 006 0442</b> <b>09 30 006 0443</b>	1 x 21 1 x 29		
Han Hoods Housings without cable entry			<b>09 30 006 0801</b>	—		

Metal hoods/housings for industrial applications / 1 lever locking system

Identification		Part number		Pg	Drawing	Dimensions in mm
		Low construction	High construction			
Protection covers		metal <b>09 30 006 5423</b>	metal <b>09 30 006 5423</b>			
Dust protection cover		<b>09 30 006 5401</b>	<b>09 30 006 5401</b>			

Metal hoods/housings for industrial applications / 1 lever locking system

Identification		Part number		Pg	Drawing	Dimensions in mm
		Low construction	High construction			
Housings, bulkhead mounting	  	<b>09 30 006 0301</b>				
		with thermo-plastic cover <b>09 30 006 0302</b>			Panel cut out 	
		with metal cover <b>09 30 006 0318</b>			Panel cut out 	

Han Hoods  
Housings

Metal hoods/housings for industrial applications / 1 lever locking system

Identification	Image	Part number		Pg	Drawing	Dimensions in mm
		Low construction	High construction			
Housings, surface mounting		<b>09 30 006 1251</b>		1 x 16		
side entry		<b>09 30 006 1291</b>		2 x 16		
side entry			<b>09 30 006 0292</b>	2 x 21		
			<b>09 30 006 0293</b>	2 x 29		
side entry		with thermo-plastic cover <b>09 30 006 1256</b>		1 x 16		
		with thermo-plastic cover <b>09 30 006 1296</b>		2 x 16		
		with metal cover <b>09 30 006 2256</b>		1 x 16		
		with metal cover <b>09 30 006 2296</b>		2 x 16		
side entry			with thermo-plastic cover <b>09 30 006 0297</b>	2 x 21		
			with thermo-plastic cover <b>09 30 006 0298</b>	2 x 29		
			with metal cover <b>09 30 006 2297</b>	2 x 21		
Han Hoods Housings	Protection covers					
		plastic <b>09 30 006 5404</b>	plastic <b>09 30 006 5404</b>			
		metal <b>09 30 006 5425</b>	metal <b>09 30 006 5425</b>			

Metal hoods/housings for industrial applications / 1 lever locking system

Identification	Image	Part number		Pg	Drawing	Dimensions in mm
		Low construction	High construction			
Hoods, cable to cable top entry		<b>09 30 006 1750</b>		1 x 13.5		
top entry			09 30 006 0752 09 30 006 0753	1 x 21 1 x 29		
Protection covers		metal 09 30 006 5427	metal 09 30 006 5427			
Flange housings top entry			09 30 006 0757	1 x 21		

Han Hoods  
Housings

Metal hoods/housings for industrial applications / 1 central locking lever locking system

Identification	Part number	Pg	Drawing	Dimensions in mm
Hoods side entry	09 30 006 0581	1 x 16		Dimensions in mm: 70, 60, 18, 72, 43, 56

Metal hoods/housings for industrial applications / 1 central locking lever locking system

Identification	Part number	Pg	Drawing	Dimensions in mm
Housings, bulkhead mounting	09 30 006 0381			Dimensions in mm: 28,9, 5,1, 70, 80, 70, 32, 56, 43, 32, 48, 4,4, 4,4
			Panel cut out	

Han Hoods  
Housings

Hoods/Housings for higher environmental requirements / 1 lever locking system


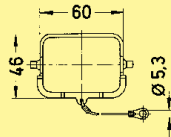

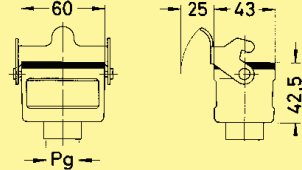

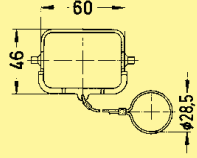
Identification	Part number	Pg	Drawing	Dimensions in mm
Hoods side entry	<b>09 37 006 1540</b>	1 x 13.5		43
Hoods side entry	<b>09 37 006 0542</b>	1 x 21		43 72
Hoods top entry	<b>09 37 006 1440</b> <b>09 37 006 1441</b>	1 x 13.5 1 x 16		40 43

Hoods/Housings for higher environmental requirements / 1 lever locking system

Identification	Part number	Pg	Drawing	Dimensions in mm
Housings, bulkhead mounting	<b>09 37 006 0301</b>			30.5
Housings, surface mounting side entry	<b>09 37 006 1291</b>	2 x 16		57.5

Han Hoods  
Housings


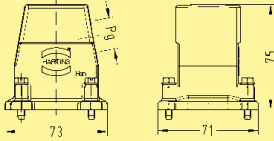

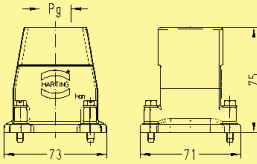
Hoods/Housings for higher environmental requirements / 1 lever locking system

Identification	Part number	Pg	Drawing	Dimensions in mm
<p>Protection covers</p> 	<p>metal 09 37 006 5405</p>			
<p>Hoods, cable to cable top entry</p> 	<p>09 37 006 1750</p>	<p>1 x 13.5</p>		
<p>Protection covers</p> 	<p>metal 09 37 006 5407</p>			


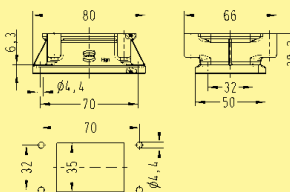

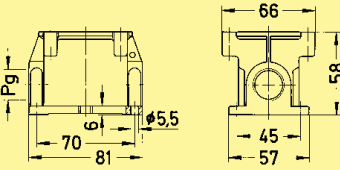
Han Hoods  
Housings



Hoods/Housings for higher EMC requirements / Screw locking system

Identification		Part number	Pg	Drawing	Dimensions in mm
Hoods side entry		09 62 006 0540 09 62 006 0541	1 x 16 1 x 21		
Hoods top entry		09 62 006 0440 09 62 006 0441	1 x 16 1 x 21		

Hoods/Housings for higher EMC requirements / Screw locking system

Identification		Part number	Pg	Drawing	Dimensions in mm
Housings, bulkhead mounting		09 62 006 0301		 Panel cut out	
Housings, surface mounting side entry		09 62 006 1205	2 x 16		

Han Hoods  
Housings


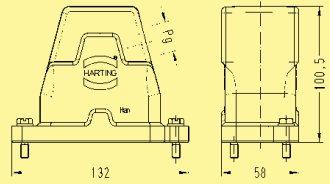

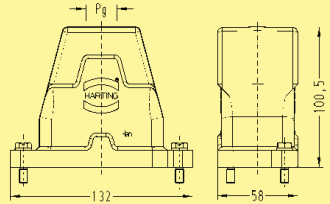

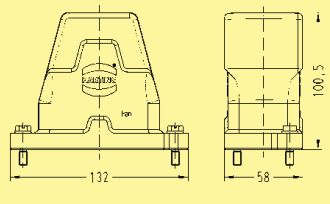
Hoods/Housings for higher EMC requirements / 1 lever locking system

Identification	Image	Part number		Pg	Drawing	Dimensions in mm
		Low construction	High construction			
Hoods side entry		<b>09 62 806 1541</b>		<b>1 x 16</b>		60, 72,6, 6,8, 43, 51
side entry			<b>09 62 806 0542</b>	<b>1 x 21</b>		72, 6,8, 60, 72,6, 43
Hoods top entry		<b>09 62 806 1441</b>		<b>1 x 16</b>		Pg, 60, 73, 43, 13,5, 40
top entry			<b>09 62 806 0442</b>	<b>1 x 21</b>		Pg, 15, 72, 60, 74, 43
Hoods without cable entry			<b>09 62 806 0801</b>	—		72, 43

Han Hoods  
Housings



Hoods/Housings for harsh environmental requirements / Screw/toggle locking system

Identification	Image	Part number		Pg	Drawing	Dimensions in mm
		Toggle locking	screw			
Hoods side entry		<b>09 40 006 0501</b> <b>09 40 006 0502</b>	<b>09 40 006 0511</b> <b>09 40 006 0512</b> <b>09 40 006 0513</b>	<b>1 x 16</b> <b>1 x 21</b> <b>1 x 16</b> <b>1 x 21</b> <b>1 x 29</b>		100,5 58 132
Hoods top entry		<b>09 40 006 0401</b> <b>09 40 006 0402</b>	<b>09 40 006 0411</b> <b>09 40 006 0412</b> <b>09 40 006 0413</b>	<b>1 x 16</b> <b>1 x 21</b> <b>1 x 16</b> <b>1 x 21</b> <b>1 x 29</b>		100,5 58 132
Hoods without cable entry			<b>09 40 006 0811</b>	—		100,5 58 132

Han Hoods  
Housings

Hoods/Housings for harsh environmental requirements / Screw/toggle locking system

Identification	Image	Part number		Pg	Drawing	Dimensions in mm
		Toggle locking	screw			
Housings, bulkhead mounting		09 40 006 0301	<b>09 40 006 0311</b>			Panel cut out
Housings, bulkhead mounting			with metal cover <b>09 40 006 0317</b>			Panel cut out
Housings, surface mounting side entry			09 40 006 1262	1 x 29		
Protection covers		metal 09 40 006 5401	metal <b>09 40 006 5411</b>			
Mounting frames			09 40 000 9901 <sup>1)</sup>			

Han Hoods Housings

<sup>1)</sup> not applicable for using Han® HC 650

Metal hoods/housings for industrial applications / 2 lever locking system

Identification	Image	Part number		Pg	Drawing	Dimensions in mm
		Low construction	High construction			
Hoods side entry		<b>09 30 010 1521</b>		1 x 16		
side entry			<b>09 30 010 0522</b> <b>09 30 010 0523</b>	1 x 21 1 x 29		
Hoods top entry		<b>09 30 010 1421</b>		1 x 16		
top entry			<b>09 30 010 0422</b> <b>09 30 010 0423</b>	1 x 21 1 x 29		
top entry			<b>09 30 010 0460</b>	2 x 13,5		
Hoods without cable entry			<b>09 30 010 0801</b>	—		

Han Hoods  
Housings

Metal hoods/housings for industrial applications / 2 lever locking system



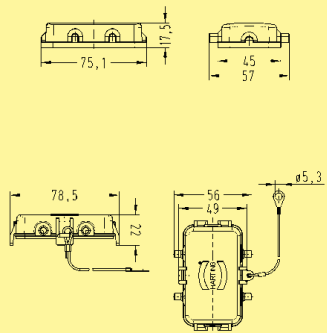

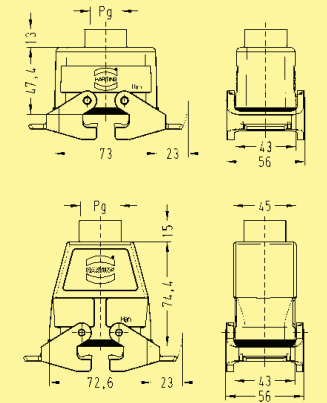
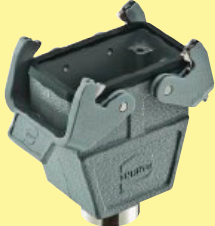

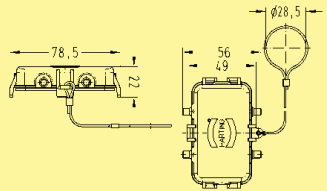
Identification		Part number		Pg	Drawing	Dimensions in mm
		Low construction	High construction			
Protection covers		metal <b>09 30 010 5423</b>	metal <b>09 30 010 5423</b>			
Protection covers		plastic 09 30 010 5401	plastic 09 30 010 5401			

Metal hoods/housings for industrial applications / 2 lever locking system

Identification		Part number		Pg	Drawing	Dimensions in mm
		Low construction	High construction			
Housings, bulkhead mounting		<b>09 30 010 0301</b>				
Housings, surface mounting		<b>09 30 010 1231</b> <b>09 30 010 1271</b>		1 x 16 2 x 16		
side entry			09 30 010 0232 09 30 010 0233 09 30 010 0272 09 30 010 0273	1 x 21 1 x 29 2 x 21 2 x 29		

Han Hoods Housings

Metal hoods/housings for industrial applications / 2 lever locking system

Identification	Part number		Pg	Drawing	Dimensions in mm
	Low construction	High construction			
Protection covers for housings  	plastic <b>09 30 010 5407</b>	plastic <b>09 30 010 5407</b>			
	metal <b>09 30 010 5425</b>	metal <b>09 30 010 5425</b>			
Hoods, cable to cable top entry 	<b>09 30 010 1731</b>				
top entry 		<b>09 30 010 0732</b> <b>09 30 010 0733</b>	<b>1 x 21</b> <b>1 x 29</b>		
Protection covers for hoods cable to cable 	metal <b>09 30 010 5427</b>	metal <b>09 30 010 5427</b>			

Han Hoods  
Housings



Metal hoods/housings for industrial applications / 1 lever locking system

Identification	Image	Part number		Pg	Drawing	Dimensions in mm
		Low construction	High construction			
Hoods side entry		<b>09 30 010 1541</b>		1 x 16		
side entry			<b>09 30 010 0542</b> <b>09 30 010 0543</b>	1 x 21 1 x 29		
Hoods top entry		<b>09 30 010 1441</b>		1 x 16		
top entry			<b>09 30 010 0442</b> <b>09 30 010 0443</b>	1 x 21 1 x 29		
Hoods without cable entry			<b>09 30 010 0803</b>	—		
Protection covers		metal <b>09 30 010 5432</b>	metal <b>09 30 010 5432</b>			

Han Hoods  
Housings

Metal hoods/housings for industrial applications / 1 lever locking system

Identification	Image	Part number		Pg	Drawing	Dimensions in mm
		Low construction	High construction			
Housings, bulkhead mounting		<b>09 30 010 0305</b>				
		with thermo-plastic cover <b>09 30 010 0303</b> with metal cover <b>09 30 010 0318</b>				
Housings, surface mounting side entry		<b>09 30 010 1251</b> <b>09 30 010 1291</b>		<b>1 x 16</b> <b>2 x 16</b>		
			<b>09 30 010 0292</b> <b>09 30 010 0293</b>	<b>2 x 21</b> <b>2 x 29</b>		
Han Hoods Housings Housings, surface mounting side entry		with thermo-plastic cover <b>09 30 010 1256</b>		<b>1 x 16</b>		
		with thermo-plastic cover <b>09 30 010 1296</b>		<b>2 x 16</b>		
		with thermo-plastic cover <b>09 30 010 0297</b> with thermo-plastic cover <b>09 30 010 0298</b>		<b>2 x 21</b> <b>2 x 29</b>		

Stock items in bold type

Metal hoods/housings for industrial applications / 1 lever locking system

Identification	Image	Part number		Pg	Drawing	Dimensions in mm
		Low construction	High construction			
Housings, surface mounting		<b>with metal cover</b> <b>09 30 010 2296</b>		<b>2 x 16</b>		
side entry						
side entry				<b>2 x 21</b>		
Protection covers		<b>plastic</b> <b>09 30 010 5412</b>	<b>plastic</b> <b>09 30 010 5412</b>			
Hoods, cable to cable		<b>09 30 010 1751</b>		<b>1 x 16</b>		
top entry				<b>1 x 21</b>		
top entry			<b>09 30 010 0752</b> <b>09 30 010 0753</b>	<b>1 x 29</b>		

Han Hoods  
Housings

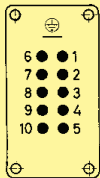


Identification	Part number	Drawing	Dimensions in mm																																																																																										
Housings for motor termination powder-coated RAL 7037  powder-coated, with protection cover  unpainted  unpainted, with protection cover  highly EMI resistant  highly EMI resistant, with protection cover	<b>09 30 010 0901</b> 09 30 010 0902  09 30 010 0961  09 30 410 0901 09 30 410 0909 09 30 410 0921  09 30 410 0951 09 30 410 0960 09 30 410 0970 09 30 410 0971 09 30 410 0974 09 30 410 0983  09 62 810 0901  09 62 810 0974	  <table border="1"> <thead> <tr> <th></th> <th>a</th> <th>b</th> <th>c</th> <th>d</th> <th>Ø</th> </tr> </thead> <tbody> <tr> <td><b>09 30 010 0901</b></td> <td>82</td> <td>68</td> <td>68</td> <td>82</td> <td>4.5</td> </tr> <tr> <td>09 30 010 0902</td> <td>98</td> <td></td> <td></td> <td>98</td> <td></td> </tr> <tr> <td>09 30 010 0961</td> <td>82</td> <td>70</td> <td>70</td> <td>82</td> <td></td> </tr> <tr> <td><b>09 30 410 0901</b></td> <td>82</td> <td>68</td> <td>68</td> <td>82</td> <td>4.5</td> </tr> <tr> <td>09 30 410 0909</td> <td>98</td> <td></td> <td></td> <td>98</td> <td></td> </tr> <tr> <td>09 30 410 0921</td> <td>85</td> <td>73</td> <td>73</td> <td>85</td> <td></td> </tr> <tr> <td>09 30 410 0951</td> <td>82</td> <td>68</td> <td>68</td> <td>82</td> <td>4.5</td> </tr> <tr> <td>09 30 410 0960</td> <td>98</td> <td>70</td> <td>70</td> <td>98</td> <td>4.3</td> </tr> <tr> <td>09 30 410 0970</td> <td>92</td> <td>77</td> <td>77</td> <td>92</td> <td>4.3</td> </tr> <tr> <td>09 30 410 0971</td> <td>85</td> <td>73</td> <td>73</td> <td>85</td> <td>5.5</td> </tr> <tr> <td>09 30 410 0974</td> <td>92</td> <td>70</td> <td>70</td> <td>92</td> <td>4.3</td> </tr> <tr> <td>09 30 410 0983</td> <td>92</td> <td>80</td> <td>80</td> <td>92</td> <td>5.1</td> </tr> <tr> <td>09 62 810 0901</td> <td>82</td> <td>68</td> <td>68</td> <td>82</td> <td>4.5</td> </tr> <tr> <td>09 62 810 0974</td> <td>92</td> <td>70</td> <td>70</td> <td>92</td> <td>4.1</td> </tr> </tbody> </table>		a	b	c	d	Ø	<b>09 30 010 0901</b>	82	68	68	82	4.5	09 30 010 0902	98			98		09 30 010 0961	82	70	70	82		<b>09 30 410 0901</b>	82	68	68	82	4.5	09 30 410 0909	98			98		09 30 410 0921	85	73	73	85		09 30 410 0951	82	68	68	82	4.5	09 30 410 0960	98	70	70	98	4.3	09 30 410 0970	92	77	77	92	4.3	09 30 410 0971	85	73	73	85	5.5	09 30 410 0974	92	70	70	92	4.3	09 30 410 0983	92	80	80	92	5.1	09 62 810 0901	82	68	68	82	4.5	09 62 810 0974	92	70	70	92	4.1	Other dimensions (a + d) on request (98 x 98 mm)
				a	b	c	d	Ø																																																																																					
			<b>09 30 010 0901</b>	82	68	68	82	4.5																																																																																					
			09 30 010 0902	98			98																																																																																						
			09 30 010 0961	82	70	70	82																																																																																						
			<b>09 30 410 0901</b>	82	68	68	82	4.5																																																																																					
			09 30 410 0909	98			98																																																																																						
			09 30 410 0921	85	73	73	85																																																																																						
			09 30 410 0951	82	68	68	82	4.5																																																																																					
			09 30 410 0960	98	70	70	98	4.3																																																																																					
			09 30 410 0970	92	77	77	92	4.3																																																																																					
			09 30 410 0971	85	73	73	85	5.5																																																																																					
09 30 410 0974	92	70	70	92	4.3																																																																																								
09 30 410 0983	92	80	80	92	5.1																																																																																								
09 62 810 0901	82	68	68	82	4.5																																																																																								
09 62 810 0974	92	70	70	92	4.1																																																																																								
Dust protection cover 	09 30 010 5406																																																																																												

Han Hoods  
Housings

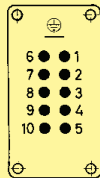
## Compatible connector inserts

Screw terminal  
500 V  
16 A  
Han E®



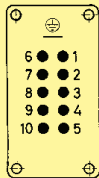
10 + ⊕

Cage-clamp terminal  
500 V  
16 A  
Han® ES  
Han® ESS



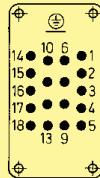
10 + ⊕

Crimp terminal  
500 V  
16 A  
Han E®



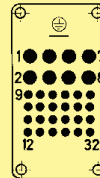
10 + ⊕

Crimp terminal  
500 V  
16 A  
Han® EE



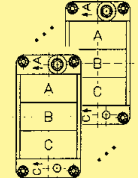
18 + ⊕

Crimp terminal  
400/160 V  
16/10 A  
Han-Com®



8/24 + ⊕

Crimp terminal/  
Screw terminal  
50 V - 830 V  
10 A - 40 A



Han-Modular + ⊕

## Features

- Angled housing replaces the terminal box
- Space saving and compact design
- The position of the terminal housing can be switched by 90°
- Compatible with standard hoods for single lever
- Locking element Han-Easy Lock®
- Star and delta circuits can be realized in the female connector Han® ESS
- Suitable for standard inserts (see compatible connector inserts)

Metal hoods/housings for industrial applications / 2 lever locking system

Identification	Part number		Pg	Drawing	Dimensions in mm
	Low construction	High construction			
Hoods side entry		<b>09 30 010 1531</b>	1 x 16		
Hoods top entry		09 30 010 1431	1 x 16		
Protection covers		metal <b>09 30 010 5457</b>	metal <b>09 30 010 5457</b>		

Han Hoods  
Housings

Metal hoods/housings for industrial applications / 2 lever locking system

Identification	Part number		Pg	Drawing	Dimensions in mm
	Low construction	High construction			
Housings, bulkhead mounting		with thermo- plastic cover <b>09 30 010 0302</b> with metal cover <b>09 30 010 0317</b>			

Panel cut out

Stock items in bold type

Metal hoods/housings for industrial applications / 2 lever locking system

Identification		Part number		Pg	Drawing	Dimensions in mm	
		Low construction	High construction				
Housings, surface mounting		with thermo-plastic cover <b>09 30 010 1221</b>		1 x 16		Blind way for one cable entry	
			with thermo-plastic cover 09 30 010 1261				2 x 16
side entry		with thermo-plastic cover 09 30 010 2221		1 x 21		Blind way for one cable entry	
			with thermo-plastic cover 09 30 010 0223				1 x 29
			with thermo-plastic cover 09 30 010 0262				2 x 21
			with thermo-plastic cover 09 30 010 0263				2 x 29
			with metal cover 09 30 010 2263				2 x 29
		with metal cover 09 30 010 2263		2 x 29			

Han Hoods  
Housings


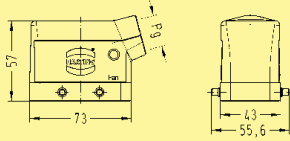

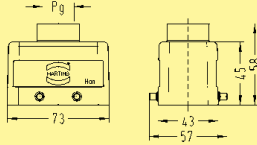

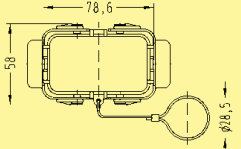
30  
45

Stock items in bold type


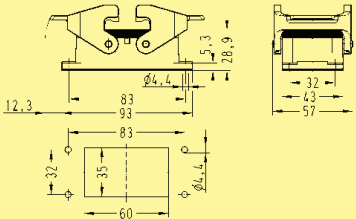

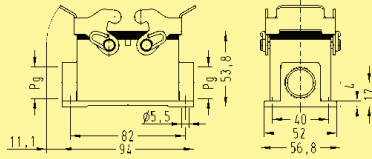

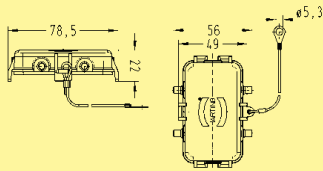




Hoods/Housings for higher environmental requirements / 2 lever locking system


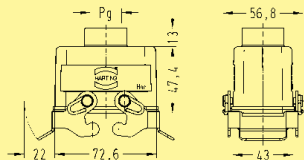
Identification	Part number	Pg	Drawing	Dimensions in mm
Hoods side entry 	09 37 010 1521	1 x 16		
Hoods top entry 	09 37 010 1421	1 x 16		
Protection covers 	metal 09 37 010 5403			

Hoods/Housings for higher environmental requirements / 2 lever locking system

Identification	Part number	Pg	Drawing	Dimensions in mm
Housings, bulkhead mounting 	<b>09 37 010 0301</b>			
Housings, surface mounting side entry 	09 37 010 1271	2 x 16		
Protection covers 	metal 09 37 010 5405			


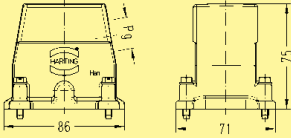

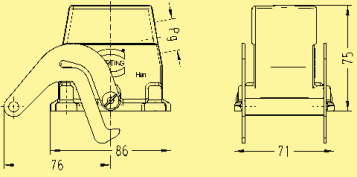

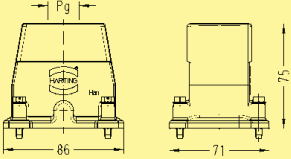

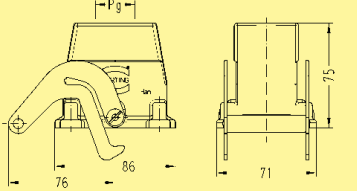
Han Hoods  
Housings

Hoods/Housings for higher environmental requirements / 2 lever locking system


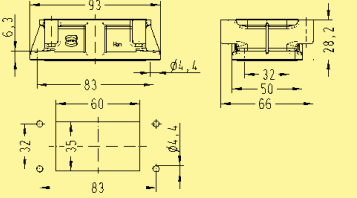

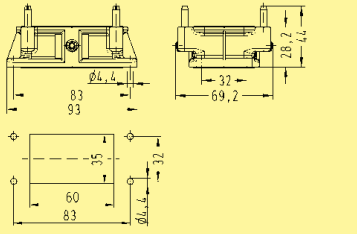
Identification	Part number	Pg	Drawing	Dimensions in mm
<p>Hoods, cable to cable top entry</p> 	<p>09 37 010 1731</p>	<p>1 x 16</p>		

Han Hoods  
Housings

Hoods/Housings for higher EMC requirements / Screw/1 central locking lever locking system

Identification	Part number	Pg	Drawing	Dimensions in mm
<p>Hoods</p> <p>side entry</p> 	<p>09 62 010 0540</p> <p>09 62 010 0541</p> <p>09 62 010 0542</p>	<p>1 x 16</p> <p>1 x 21</p> <p>1 x 29</p>		
<p>Hoods</p> <p>side entry</p> 	<p>with central locking lever</p> <p>09 62 010 0580</p> <p>with central locking lever</p> <p>09 62 010 0581</p> <p>with central locking lever</p> <p>09 62 010 0582</p>	<p>1 x 16</p> <p>1 x 21</p> <p>1 x 29</p>		
<p>Hoods</p> <p>top entry</p> 	<p>09 62 010 0440</p> <p>09 62 010 0441</p> <p>09 62 010 0442</p>	<p>1 x 16</p> <p>1 x 21</p> <p>1 x 29</p>		
<p>Hoods</p> <p>top entry</p> 	<p>with central locking lever</p> <p>09 62 010 0481</p>	<p>1 x 21</p>		

Hoods/Housings for higher EMC requirements / Screw/1 central locking lever locking system

Identification	Part number	Pg	Drawing	Dimensions in mm
<p>Housings, bulkhead mounting</p> 	<p>09 62 010 0301</p>		 <p>Panel cut out</p>	
<p>Housings, bulkhead mounting</p> 	<p>with central locking lever</p> <p>09 62 010 0381</p>		 <p>Panel cut out</p>	


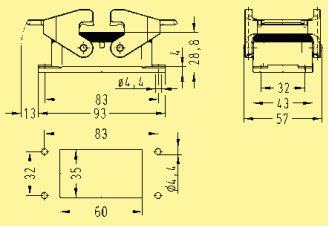
Han Hoods Housings

Hoods/Housings for higher EMC requirements / 2 lever locking system

Identification	Part number		Pg	Drawing	Dimensions in mm
	Low construction	High construction			
Hoods side entry	<b>09 62 810 1521</b>		<b>1 x 16</b>		
side entry		<b>09 62 810 0522</b>	<b>1 x 21</b>		
Hoods top entry	<b>09 62 810 1421</b>		<b>1 x 16</b>		
top entry		<b>09 62 810 0422</b>	<b>1 x 21</b>		
Hoods without cable entry		<b>09 62 810 0801</b>	—		


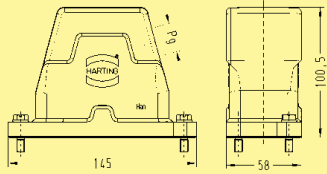

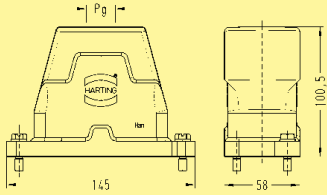

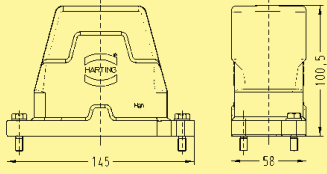
Han Hoods  
Housings

Hoods/Housings for higher EMC requirements / 2 lever locking system

Identification	Part number		Pg	Drawing	Dimensions in mm
	Low construction	High construction			
Housings, bulkhead mounting 	<b>09 62 810 0301</b>			 <p>Panel cut out</p>	

Han Hoods  
Housings

Hoods/Housings for harsh environmental requirements / Screw/toggle locking system

Identification	Part number		Pg	Drawing	Dimensions in mm
	Toggle locking	screw			
Hoods side entry 	<b>09 40 010 0502</b> <b>09 40 010 0503</b>	09 40 010 0511 09 40 010 0512 09 40 010 0513	1 x 21 1 x 29 1 x 16 1 x 21 1 x 29		
Hoods top entry 	<b>09 40 010 0401</b> <b>09 40 010 0402</b> <b>09 40 010 0403</b>	09 40 010 0411 09 40 010 0412 09 40 010 0413	1 x 16 1 x 21 1 x 29 1 x 16 1 x 21 1 x 29		
Hoods without cable entry 		09 40 010 0811	—		

Han Hoods  
Housings

Hoods/Housings for harsh environmental requirements / Screw/toggle locking system

Identification	Image	Part number		Pg	Drawing	Dimensions in mm
		Toggle locking	screw			
Housings, bulkhead mounting		09 40 010 0301	<b>09 40 010 0311</b>			Panel cut out
Housings, bulkhead mounting			with metal cover <b>09 40 010 0317</b>			Panel cut out
Housings, surface mounting side entry			09 40 010 1262	1 x 29		
Protection covers		metal 09 40 010 5401	metal <b>09 40 010 5411</b>			Han Hoods Housings
Mounting frames			09 40 000 9902 <sup>1)</sup>			Panel cut out

<sup>1)</sup> not applicable for using Han® HC 650

Metal hoods/housings for industrial applications / 2 lever locking system

Identification	Image	Part number		Pg	Drawing	Dimensions in mm
		Low construction	High construction			
Hoods side entry		<b>09 30 016 1520</b>		1 x 21		
side entry			<b>09 30 016 0520</b> <b>09 30 016 0521</b>	1 x 21 1 x 29		
angled entry			09 30 016 0663	2 x 21		
Hoods top entry		<b>09 30 016 1420</b>		1 x 21		
top entry			<b>09 30 016 0420</b> <b>09 30 016 0421</b>	1 x 21 1 x 29		
top entry			09 30 016 0459 09 30 016 0462	2 x 16 2 x 21		
Hoods without cable entry			09 30 016 0801	—		

Han Hoods  
Housings




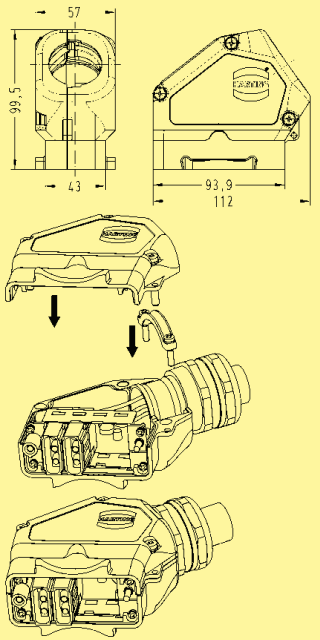

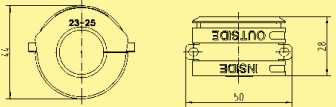


Metal hoods/housings for industrial applications / 2 lever locking system

Identification	Image	Part number		Pg	Drawing	Dimensions in mm
		Low construction	High construction			
Housings, surface mounting side entry		<b>09 30 016 1230</b> <b>09 30 016 1270</b>		1 x 21 2 x 21		
			09 30 016 0230 09 30 016 0231 09 30 016 0270 09 30 016 0271	1 x 21 1 x 29 2 x 21 2 x 29		
Protection covers		plastic <b>09 30 016 5405</b>	plastic <b>09 30 016 5405</b>			
		metal <b>09 30 016 5425</b>	metal <b>09 30 016 5425</b>			
Hoods, cable to cable top entry		<b>09 30 016 1730</b>		1 x 21		
			09 30 016 0730 09 30 016 0731	1 x 21 1 x 29		
Protection covers		metal <b>09 30 016 5426</b>	metal <b>09 30 016 5426</b>			

Han Hoods Housings

Metal hoods/housings for industrial applications / 2 lever locking system

Identification	Part number	Pg	Drawing	Dimensions in mm
<p>Han® Easy Hood side entry</p> 	<p>11 30 016 0520</p>			
<p>Cable seal</p> 	<p>20 ... 22 mm 11 30 000 9955 23 ... 25 mm 11 30 000 9956 26 ... 28 mm 11 30 000 9957 29 ... 31 mm 11 30 000 9958 32 ... 34 mm 11 30 000 9959</p>			

Han Hoods  
Housings

Metal hoods/housings for industrial applications / 1 lever locking system

Identification	Image	Part number		Pg	Drawing	Dimensions in mm
		Low construction	High construction			
Hoods side entry		<b>09 30 016 1540</b>		1 x 21		
side entry			<b>09 30 016 0540</b> <b>09 30 016 0541</b>	1 x 21 1 x 29		
Hoods top entry		<b>09 30 016 1440</b>		1 x 21		
top entry			<b>09 30 016 0440</b> <b>09 30 016 0441</b>	1 x 21 1 x 29		
Hoods without cable entry			<b>09 30 016 0803</b>	—		
Han Hoods Housings flat cable entry Set of seals see chapter 40			<b>09 30 016 4441</b>			
Protection covers		metal <b>09 30 016 5432</b>	metal <b>09 30 016 5432</b>			

Metal hoods/housings for industrial applications / 1 lever locking system

Identification	Image	Part number		Pg	Drawing	Dimensions in mm
		Low construction	High construction			
Housings, bulkhead mounting		<b>09 30 016 0307</b>			<p>Panel cut out</p>	
		with thermo-plastic cover <b>09 30 016 0306</b> with metal cover <b>09 30 016 0318</b>				
Housings, surface mounting	side entry 	<b>09 30 016 1250</b> <b>09 30 016 1290</b>		<b>1 x 21</b> <b>2 x 21</b>	<p>Blind way for one cable entry</p>	
	side entry 		<b>09 30 016 0250</b> <b>09 30 016 0251</b> <b>09 30 016 0290</b> <b>09 30 016 0291</b>	<b>1 x 21</b> <b>1 x 29</b> <b>2 x 21</b> <b>2 x 29</b>		


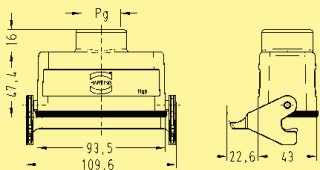

Han Hoods Housings

Metal hoods/housings for industrial applications / 1 lever locking system

Identification	Image	Part number		Pg	Drawing	Dimensions in mm	
		Low construction	High construction				
Housings, surface mounting side entry		with thermo-plastic cover 09 30 016 1255 with thermo-plastic cover 09 30 016 1295		1 x 21		105 117 15,5 45 57 20 19 55,8	
				2 x 21			
side entry				with thermo-plastic cover 09 30 016 0255	1 x 21		105 117 15,5 45 57 20 19 55,8
				with thermo-plastic cover 09 30 016 0256	1 x 29		
				with thermo-plastic cover 09 30 016 0295	2 x 21		
				with thermo-plastic cover 09 30 016 0296	2 x 29		
Housings, surface mounting side entry		with metal cover 09 30 016 2295		2 x 21		105 117 15,5 45 57 20 19 55,8	
side entry				with metal cover 09 30 016 2297	2 x 21		105 117 15,5 45 57 20 19 55,8
					with metal cover 09 30 016 2298		

Han Hoods  
Housings


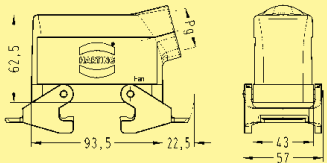

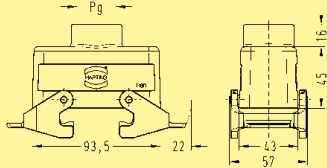

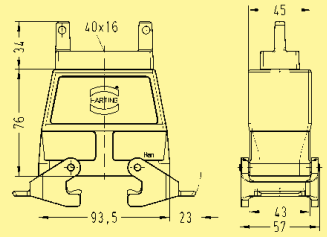
Metal hoods/housings for industrial applications / 1 lever locking system

Identification	Part number		Pg	Drawing	Dimensions in mm
	Low construction	High construction			
Hoods, cable to cable top entry 	09 30 016 1750		1 x 21		
top entry 		09 30 016 0750 09 30 016 0751			

Han Hoods  
Housings



Metal hoods/housings for industrial applications / 2 lever locking system

Identification	Part number		Pg	Drawing	Dimensions in mm
	Low construction	High construction			
Hoods side entry 	<b>09 30 016 1530</b>		1 x 21		
Hoods top entry 	09 30 016 1430		1 x 21		
Hoods flat cable entry Set of seals see chapter 40 		09 30 016 4431			

Han Hoods  
Housings


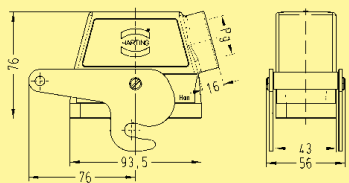

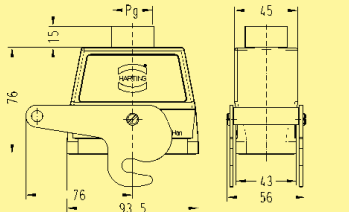


Metal hoods/housings for industrial applications / 2 lever locking system

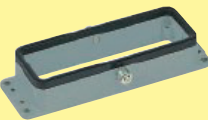
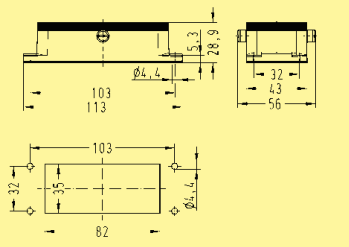

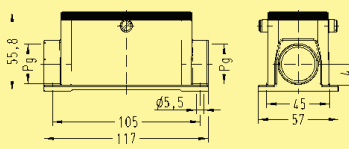

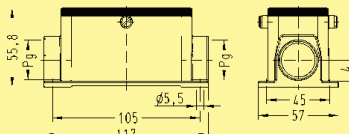
Identification	Image	Part number		Pg	Drawing	Dimensions in mm
		Low construction	High construction			
Housings, bulkhead mounting		with thermo-plastic cover <b>09 30 016 0302</b> with metal cover 09 30 016 0317				
Housings, surface mounting		with thermo-plastic cover <b>09 30 016 1220</b>		1 x 21		
side entry		with thermo-plastic cover <b>09 30 016 1260</b> with metal cover 09 30 016 2260		2 x 21		Blind way for one cable entry
side entry			with thermo-plastic cover 09 30 016 0220 with thermo-plastic cover 09 30 016 0221 with thermo-plastic cover 09 30 016 0260 with thermo-plastic cover 09 30 016 0261	1 x 21 1 x 29 2 x 21 2 x 29		Blind way for one cable entry

Han Hoods Housings

Metal hoods/housings for industrial applications / 1 central locking lever locking system


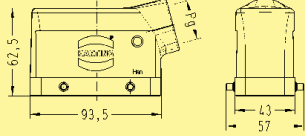

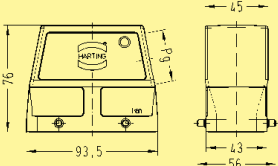

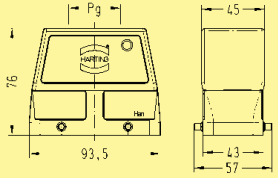

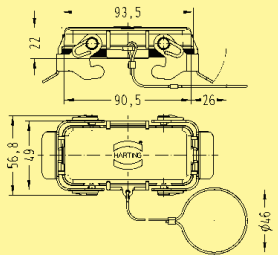
Identification	Part number	Pg	Drawing	Dimensions in mm
Hoods side entry 	09 30 016 0580 09 30 016 0581	1 x 21 1 x 29		
Hoods top entry 	09 30 016 0480 09 30 016 0481	1 x 21 1 x 29		

Metal hoods/housings for industrial applications / 1 central locking lever locking system


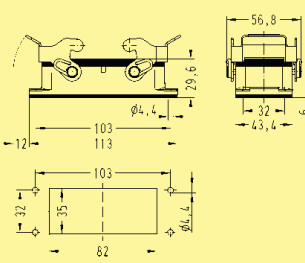
Identification	Part number	Pg	Drawing	Dimensions in mm
Housings, bulkhead mounting 	09 30 016 0381		 <p>Panel cut out</p>	
Housings, surface mounting side entry 	09 30 016 1280	2 x 21		
side entry 	09 30 016 0281	2 x 29		

Han Hoods  
Housings

Hoods/Housings for higher environmental requirements / 2 lever locking system

Identification	Part number	Pg	Drawing	Dimensions in mm
<p>Hoods</p> <p>side entry</p> 	<b>09 37 016 1520</b>	1 x 21		
<p>side entry</p> 	<b>09 37 016 0521</b>	1 x 29		
<p>Hoods</p> <p>top entry</p> 	<b>09 37 016 0421</b>	1 x 29		
<p>Protection covers</p> 	metal <b>09 37 016 5402</b>			

Hoods/Housings for higher environmental requirements / 2 lever locking system

Identification	Part number	Pg	Drawing	Dimensions in mm
<p>Housings, bulkhead mounting</p> 	<b>09 37 016 0301</b>			


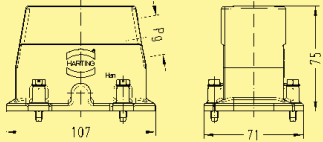

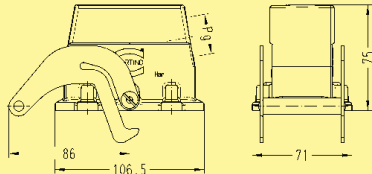

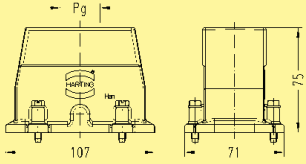

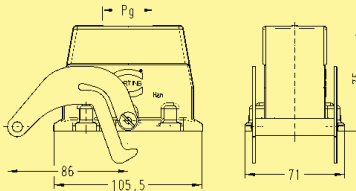
Han Hoods  
Housings

Hoods/Housings for higher environmental requirements / 2 lever locking system


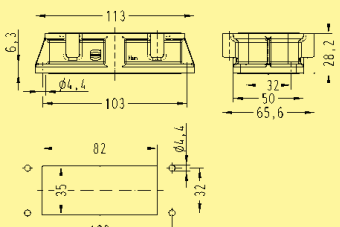

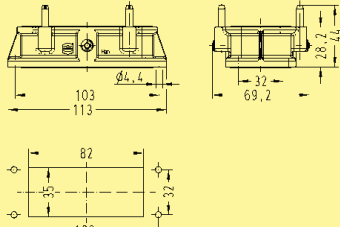
Identification	Part number	Pg	Drawing	Dimensions in mm
Housings, surface mounting side entry	<b>09 37 016 1230</b>	<b>1 x 21</b>		
side entry	<b>09 37 016 0271</b>	<b>2 x 29</b>		
Protection covers	metal <b>09 37 016 5405</b>			
Hoods, cable to cable top entry	<b>09 37 016 1730</b>	<b>1 x 21</b>		

Han Hoods  
Housings

Hoods/Housings for higher EMC requirements / Screw/1 central locking lever locking system

Identification	Part number	Pg	Drawing	Dimensions in mm
Hoods side entry 	09 62 040 0540 09 62 040 0541	1 x 21 1 x 29		107 71 75
Hoods side entry 	with central locking lever 09 62 040 0580 with central locking lever 09 62 040 0581	1 x 21 1 x 29		86 106,5 71 75
Hoods top entry 	09 62 040 0440 09 62 040 0441	1 x 21 1 x 29		107 71 75
Hoods top entry 	with central locking lever 09 62 040 0481	1 x 29		86 105,5 71 75


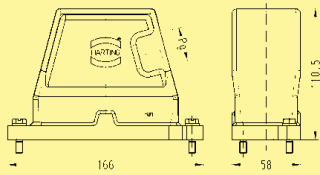

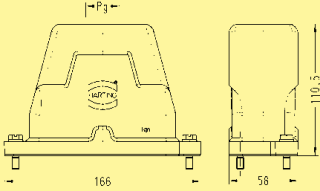

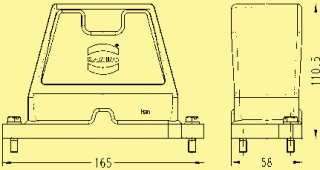
Hoods/Housings for higher EMC requirements / Screw/1 central locking lever locking system

Identification	Part number	Pg	Drawing	Dimensions in mm
Housings, bulkhead mounting 	09 62 040 0301			113 6,3 103 82 35 103 32 28,2 50 65,6
Housings, bulkhead mounting 	with central locking lever 09 62 040 0381			103 113 82 35 103 32 28,2 69,2

Han Hoods Housings



Hoods/Housings for harsh environmental requirements / Screw/toggle locking system

Identification	Image	Part number		Pg	Drawing	Dimensions in mm
		Toggle locking	screw			
Hoods side entry		09 40 016 0502 09 40 016 0503 09 40 016 0504	09 40 016 0512 09 40 016 0513 09 40 016 0514	1 x 21 1 x 29 1 x 36 1 x 21 1 x 29 1 x 36		
Hoods top entry		09 40 016 0402 09 40 016 0403 09 40 016 0404	09 40 016 0412 09 40 016 0413 09 40 016 0414 09 40 016 0432	1 x 21 1 x 29 1 x 36 1 x 21 1 x 29 1 x 36 2 x 21		
Hoods without cable entry			09 40 016 0811	—		

Han Hoods  
Housings

## Hoods/Housings for harsh environmental requirements / Screw/toggle locking system

Identification	Image	Part number		Pg	Drawing	Dimensions in mm
		Toggle locking	screw			
Housings, bulkhead mounting		09 40 016 0301	<b>09 40 016 0311</b>			
Housings, bulkhead mounting			with metal cover <b>09 40 016 0317</b>			
Housings, surface mounting side entry			09 40 016 1263	1 x 36		
Housings, surface mounting without cable entry			09 40 016 1201	-		
Protection covers		metal 09 40 016 5401	metal <b>09 40 016 5411</b>			

Han Hoods Housings


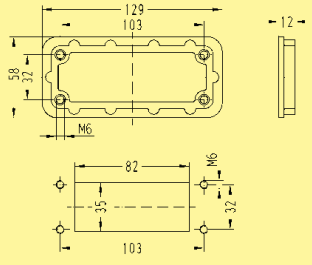
30  
70

<sup>1)</sup> not applicable for using Han® HC 650

**Stock items in bold type**



Hoods/Housings for harsh environmental requirements / Screw/toggle locking system

Identification	Part number		Pg	Drawing	Dimensions in mm
	Toggle locking	screw			
<p>Mounting frames</p> 		09 40 000 9903 <sup>1)</sup>		 <p>Panel cut out</p>	

Han Hoods  
Housings

<sup>1)</sup> not applicable for using Han® HC 650



Metal hoods/housings for industrial applications / 2 lever locking system

Identification	Part number		Pg	Drawing	Dimensions in mm
	Low construction	High construction			
Hoods side entry	<b>09 30 024 1520</b>		1 x 21		
side entry		<b>09 30 024 0520</b> <b>09 30 024 0521</b>	1 x 21 1 x 29		
side entry		09 30 024 0525	1 x 36		
angled entry		09 30 024 0663	2 x 21		


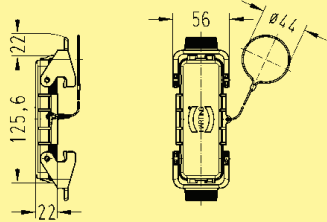

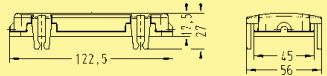
Han Hoods  
Housings

Metal hoods/housings for industrial applications / 2 lever locking system


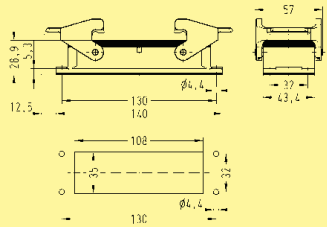

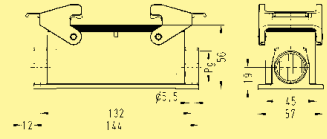

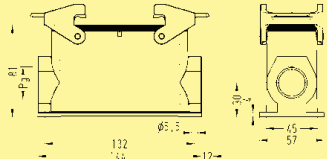
Identification	Image	Part number		Pg	Drawing	Dimensions in mm
		Low construction	High construction			
Hoods top entry		<b>09 30 024 1421</b>		1 x 29		
top entry			<b>09 30 024 0420</b> <b>09 30 024 0421</b>	1 x 21 1 x 29		
top entry			09 30 024 0425	1 x 36		
top entry			<b>09 30 024 0462</b> <b>09 30 024 0461</b>	2 x 21 2 x 29		
Hoods without cable entry			09 30 024 0801	—		
Hoods flat cable entry Set of seals see chapter 40			09 30 024 4411			

Han Hoods  
Housings

Metal hoods/housings for industrial applications / 2 lever locking system


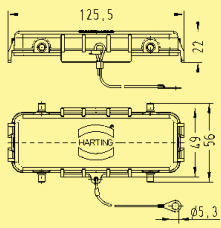

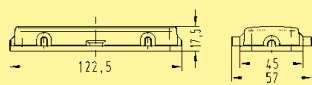

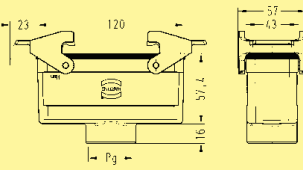

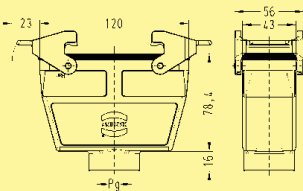

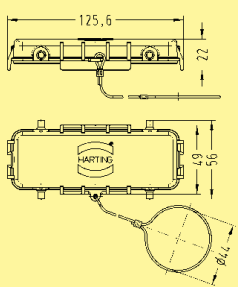
Identification	Part number		Pg	Drawing	Dimensions in mm
	Low construction	High construction			
Protection covers 	metal <b>09 30 024 5422</b>	metal <b>09 30 024 5422</b>			
Dust protection cover 	plastic 09 30 024 5401	plastic 09 30 024 5401			

Metal hoods/housings for industrial applications / 2 lever locking system

Identification	Part number		Pg	Drawing	Dimensions in mm
	Low construction	High construction			
Housings, bulkhead mounting 	<b>09 30 024 0301</b>				
Housings, surface mounting side entry 	<b>09 30 024 1230</b> <b>09 30 024 1270</b>		1 x 21 2 x 21		Panel cut out Blind way for one cable entry
side entry 		09 30 024 0230 09 30 024 0231 09 30 024 0270 <b>09 30 024 0271</b>	1 x 21 1 x 29 2 x 21 2 x 29		Blind way for one cable entry


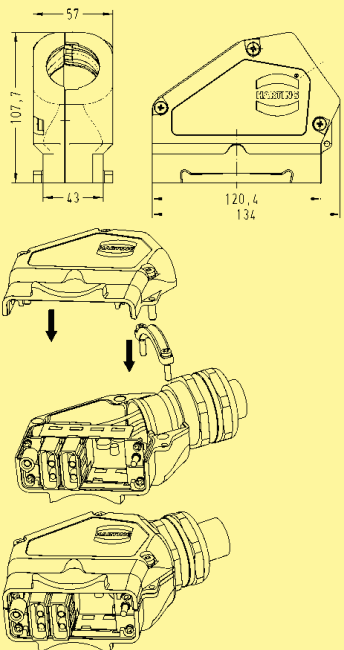

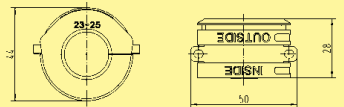
Han Hoods Housings

Metal hoods/housings for industrial applications / 2 lever locking system

Identification	Part number		Pg	Drawing	Dimensions in mm
	Low construction	High construction			
Protection covers 	metal <b>09 30 024 5425</b>	metal <b>09 30 024 5425</b>			
Protection covers 	plastic 09 30 024 5405	plastic 09 30 024 5405			
Hoods, cable to cable top entry 	09 30 024 1731		1 x 29		
top entry 		09 30 024 0730 09 30 024 0731	1 x 21 1 x 29		
Protection covers 	metal 09 30 024 5426	metal 09 30 024 5426			

Han Hoods  
Housings

Metal hoods/housings for industrial applications / 2 lever locking system

Identification	Part number	Pg	Drawing	Dimensions in mm
<p>Han® Easy Hood side entry</p> 	<p>11 30 024 0520</p>			
<p>Cable seal</p> 	<p>20 ... 22 mm 11 30 000 9955 23 ... 25 mm 11 30 000 9956 26 ... 28 mm 11 30 000 9957 29 ... 31 mm 11 30 000 9958 32 ... 34 mm 11 30 000 9959</p>			

Han Hoods  
Housings

Metal hoods/housings for industrial applications / 1 lever locking system

Identification	Image	Part number		Pg	Drawing	Dimensions in mm
		Low construction	High construction			
Hoods side entry		<b>09 30 024 1540</b>		1 x 21		67,5 120 10 43
side entry			09 30 024 0540 <b>09 30 024 0541</b> 09 30 024 0546	1 x 21 1 x 29 1 x 36		76 120 138 43
Hoods top entry		<b>09 30 024 1441</b>		1 x 29		16 55 120 10 43
top entry			09 30 024 0440 <b>09 30 024 0441</b> 09 30 024 0446	1 x 21 1 x 29 1 x 36		Pg 16 76 120 10 43
Hoods without cable entry			09 30 024 0803	—		76 120 138 45 43
Protection covers		metal <b>09 30 024 5432</b>	metal <b>09 30 024 5432</b>			21,5 17 69 136 Ø4,4

Han Hoods  
Housings

Metal hoods/housings for industrial applications / 1 lever locking system

Identification	Part number		Pg	Drawing	Dimensions in mm
	Low construction	High construction			
Housings, bulkhead mounting		<b>09 30 024 0307</b>			
		with thermo-plastic cover <b>09 30 024 0304</b> with metal cover <b>09 30 024 0318</b>			
Housings, surface mounting side entry		<b>09 30 024 1250</b> <b>09 30 024 1290</b>			
			<b>09 30 024 0250</b> <b>09 30 024 0251</b> <b>09 30 024 0290</b> <b>09 30 024 0291</b>	<b>1 x 21</b> <b>2 x 21</b>	
Housings, surface mounting side entry		with thermo-plastic cover <b>09 30 024 1255</b> with thermo-plastic cover <b>09 30 024 1295</b>			
		with thermo-plastic cover <b>09 30 024 0255</b> with thermo-plastic cover <b>09 30 024 0256</b>	<b>1 x 21</b> <b>1 x 29</b>		
		with thermo-plastic cover <b>09 30 024 0295</b> with thermo-plastic cover <b>09 30 024 0296</b>	<b>2 x 21</b> <b>2 x 29</b>		

Han Hoods Housings

Stock items in bold type


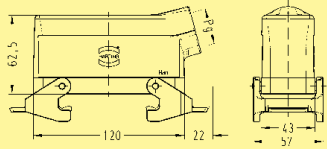
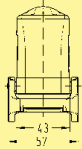
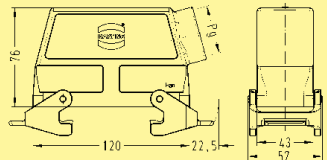

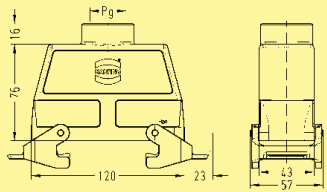
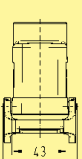
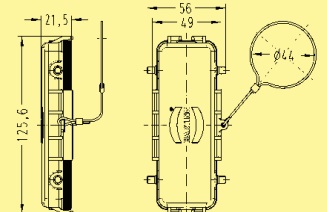

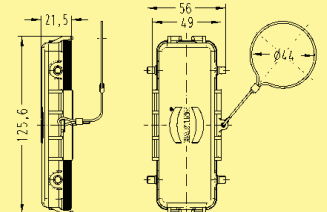
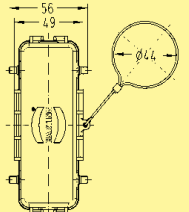


Metal hoods/housings for industrial applications / 1 lever locking system

Identification	Image	Part number		Pg	Drawing	Dimensions in mm
		Low construction	High construction			
Housings, surface mounting side entry		with metal cover <b>09 30 024 2295</b>		2 x 21		
side entry			with metal cover <b>09 30 024 2297</b>	2 x 21		
Hoods, cable to cable top entry		<b>09 30 024 1751</b>		1 x 29		
top entry			<b>09 30 024 0751</b>	1 x 29		
Protection covers		metal <b>09 30 024 5436</b>	metal <b>09 30 024 5436</b>			


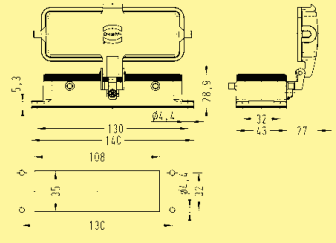

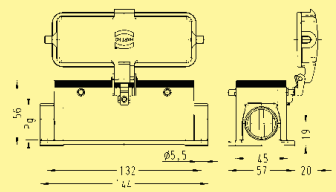

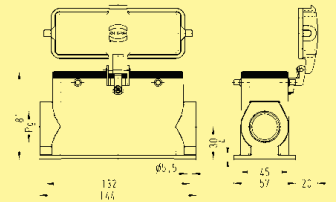
Han Hoods  
Housings

Metal hoods/housings for industrial applications / 2 lever locking system

Identification	Part number		Pg	Drawing	Dimensions in mm
	Low construction	High construction			
Hoods side entry 	<b>09 30 024 1530</b>		1 x 21		
		side entry 			
Hoods top entry 	09 30 024 1431		1 x 29		
		top entry 			
Protection covers 	metal <b>09 30 024 5442</b>	metal <b>09 30 024 5442</b>			


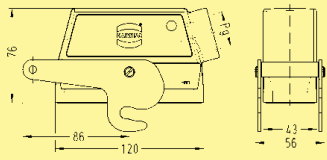

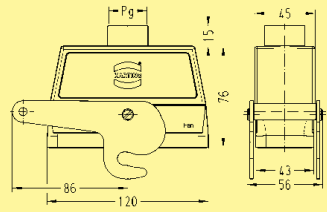
Han Hoods  
Housings

Metal hoods/housings for industrial applications / 2 lever locking system

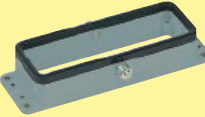
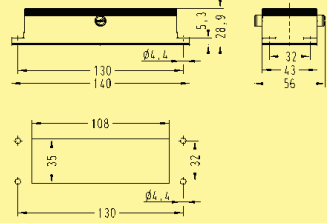

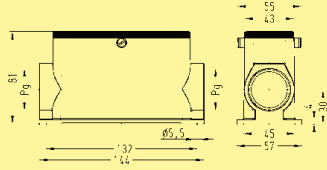
Identification	Part number		Pg	Drawing	Dimensions in mm
	Low construction	High construction			
Housings, bulkhead mounting 	with thermo-plastic cover <b>09 30 024 0302</b> with metal cover 09 30 024 0317				Panel cut out
Housings, surface mounting side entry 	with thermo-plastic cover <b>09 30 024 1220</b> with thermo-plastic cover 09 30 024 1260 with metal cover 09 30 024 2260		1 x 21 2 x 21 2 x 21		Blind way for one cable entry
side entry 	with thermo-plastic cover 09 30 024 0220 with thermo-plastic cover 09 30 024 0221 with thermo-plastic cover 09 30 024 0260 with thermo-plastic cover 09 30 024 0261 with metal cover 09 30 024 2262 with metal cover 09 30 024 2263		1 x 21 1 x 29 2 x 21 2 x 29 2 x 21 2 x 29		Blind way for one cable entry

Han Hoods Housings

Metal hoods/housings for industrial applications / 1 central locking lever locking system

Identification	Part number		Pg	Drawing	Dimensions in mm
	Low construction	High construction			
Hoods side entry 		<b>09 30 024 0580</b> <b>09 30 024 0581</b>	<b>1 x 21</b> <b>1 x 29</b>		
Hoods top entry 		<b>09 30 024 0480</b> <b>09 30 024 0481</b>	<b>1 x 21</b> <b>1 x 29</b>		

Metal hoods/housings for industrial applications / 1 central locking lever locking system

Identification	Part number		Pg	Drawing	Dimensions in mm
	Low construction	High construction			
Housings, bulkhead mounting 	<b>09 30 024 0381</b>			 Panel cut out	
Housings, surface mounting side entry 		<b>09 30 024 0281</b>	<b>2 x 29</b>		

Han Hoods  
Housings

Hoods/Housings for higher environmental requirements / 2 lever locking system


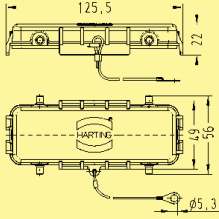
Identification	Part number	Pg	Drawing	Dimensions in mm
Hoods side entry	09 37 024 1520	1 x 21		
side entry	<b>09 37 024 0521</b>	1 x 29		
Hoods top entry	09 37 024 0421	1 x 29		
Protection covers	metal 09 37 024 5402			

Hoods/Housings for higher environmental requirements / 2 lever locking system

Identification	Part number	Pg	Drawing	Dimensions in mm
Housings, bulkhead mounting	<b>09 37 024 0301</b>			
Housings, surface mounting side entry	09 37 024 0271	2 x 29		

Han Hoods  
Housings

Hoods/Housings for higher environmental requirements / 2 lever locking system

Identification	Part number	Pg	Drawing	Dimensions in mm
<p>Protection covers</p> 	<p>metal 09 37 024 5405</p>			

Han Hoods  
Housings

Hoods/Housings for higher EMC requirements / Screw/1 central locking lever locking system

Identification	Part number	Pg	Drawing	Dimensions in mm
Hoods side entry	09 62 064 0540 09 62 064 0541	1 x 21 1 x 29		
Hoods side entry	with central locking lever 09 62 064 0580 with central locking lever 09 62 064 0581	1 x 21 1 x 29		
Hoods top entry	09 62 064 0440 09 62 064 0441 09 62 064 0442	1 x 21 1 x 29 1 x 36		
Hoods top entry	with central locking lever 09 62 064 0481	1 x 29		

Hoods/Housings for higher EMC requirements / Screw/1 central locking lever locking system

Identification	Part number	Pg	Drawing	Dimensions in mm
Housings, bulkhead mounting	09 62 064 0301			
Housings, bulkhead mounting	with central locking lever 09 62 064 0381			

Han Hoods Housings

Hoods/Housings for higher EMC requirements / 2 lever locking system

Identification	Part number		Pg	Drawing	Dimensions in mm
	Low construction	High construction			
Hoods side entry	<b>09 62 824 1520</b>		1 x 21		
Hoods side entry		<b>09 62 824 0521</b>	1 x 29		
Hoods top entry	<b>09 62 824 1421</b>		1 x 29		
Hoods top entry		<b>09 62 824 0421</b>	1 x 29		
Hoods without cable entry		<b>09 62 824 0801</b>	—		


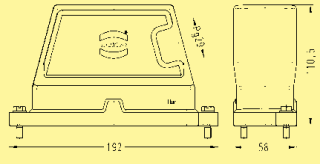

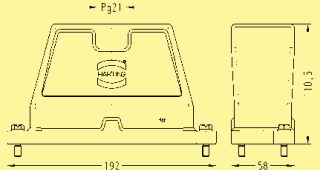

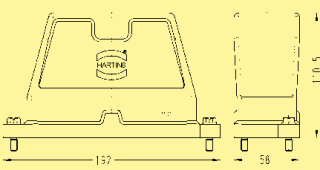
Han Hoods  
Housings

Hoods/Housings for higher EMC requirements / 2 lever locking system

Identification	Part number		Pg	Drawing	Dimensions in mm
	Low construction	High construction			
Housings, bulkhead mounting	<b>09 62 824 0301</b>				
				Panel cut out	




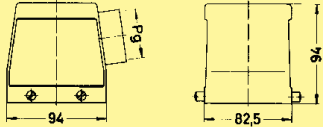

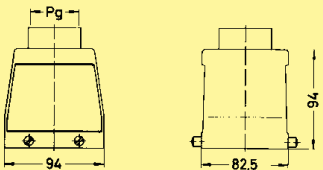
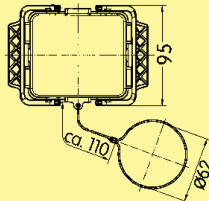
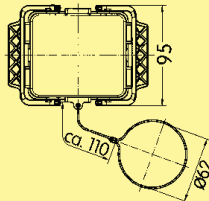
Hoods/Housings for harsh environmental requirements / Screw/toggle locking system

Identification	Part number		Pg	Drawing	Dimensions in mm
	Toggle locking	screw			
Hoods side entry 	09 40 024 0503 09 40 024 0504	09 40 024 0513 09 40 024 0514	1 x 29 1 x 36 1 x 29 1 x 36		
Hoods top entry 	09 40 024 0403 09 40 024 0404	09 40 024 0412 09 40 024 0413 09 40 024 0414 09 40 024 0433	1 x 29 1 x 36 1 x 21 1 x 29 1 x 36 2 x 29		
Hoods without cable entry 		09 40 024 0811	—		


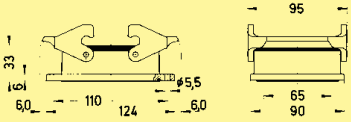


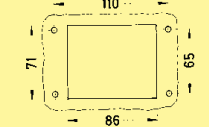
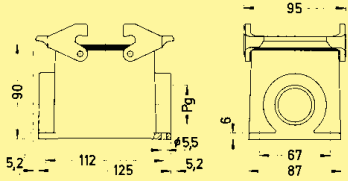
Han Hoods  
Housings



Metal hoods/housings for industrial applications / 2 lever locking system

Identification	Part number	Pg	Drawing	Dimensions in mm
Hoods side entry 	<b>09 30 032 0521</b> 09 30 032 0522 <b>09 30 032 0523</b>	1 x 29 1 x 36 1 x 42		
Hoods top entry 	09 30 032 0421 09 30 032 0422 <b>09 30 032 0423</b>	1 x 29 1 x 36 1 x 42		
Protection covers 	metal 09 30 032 5420			


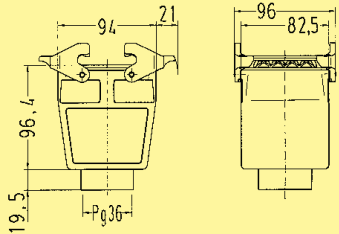

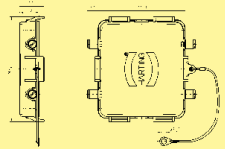

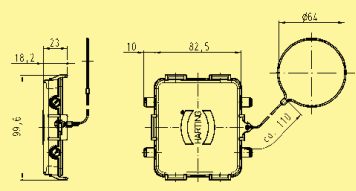
Metal hoods/housings for industrial applications / 2 lever locking system

Identification	Part number	Pg	Drawing	Dimensions in mm
Housings, bulkhead mounting 	<b>09 30 032 0301</b>			
Housings, surface mounting side entry 	09 30 032 0231 09 30 032 0232 09 30 032 0271 09 30 032 0272 09 30 032 0273	1 x 29 1 x 36 2 x 29 2 x 36 2 x 42		
			Panel cut out 	
			Blind way for one cable entry 	

Han Hoods  
Housings

\* usable for two inserts of size 16 B  
Stock items in bold type


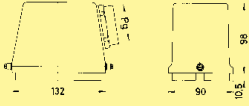

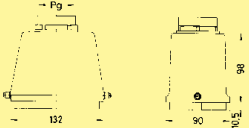
Metal hoods/housings for industrial applications / 2 lever locking system

Identification	Part number	Pg	Drawing	Dimensions in mm
Hoods, cable to cable top entry 	09 30 032 0731 09 30 032 0732 09 30 032 0733	1 x 29 1 x 36 1 x 42		
Protection covers 	metal <b>09 30 032 5425</b>			
Protection covers for hoods cable to cable 	metal 09 30 032 5426 metal 09 30 032 5427			


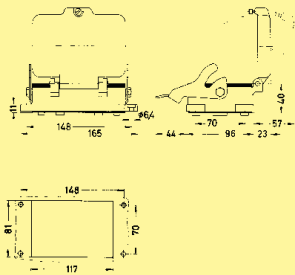

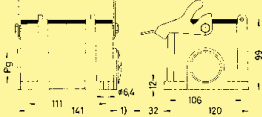

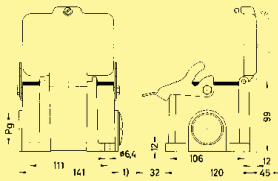
Han Hoods  
Housings

\* usable for two inserts of size 16 B  
Stock items in bold type

Metal hoods/housings for industrial applications / 1 lever locking system

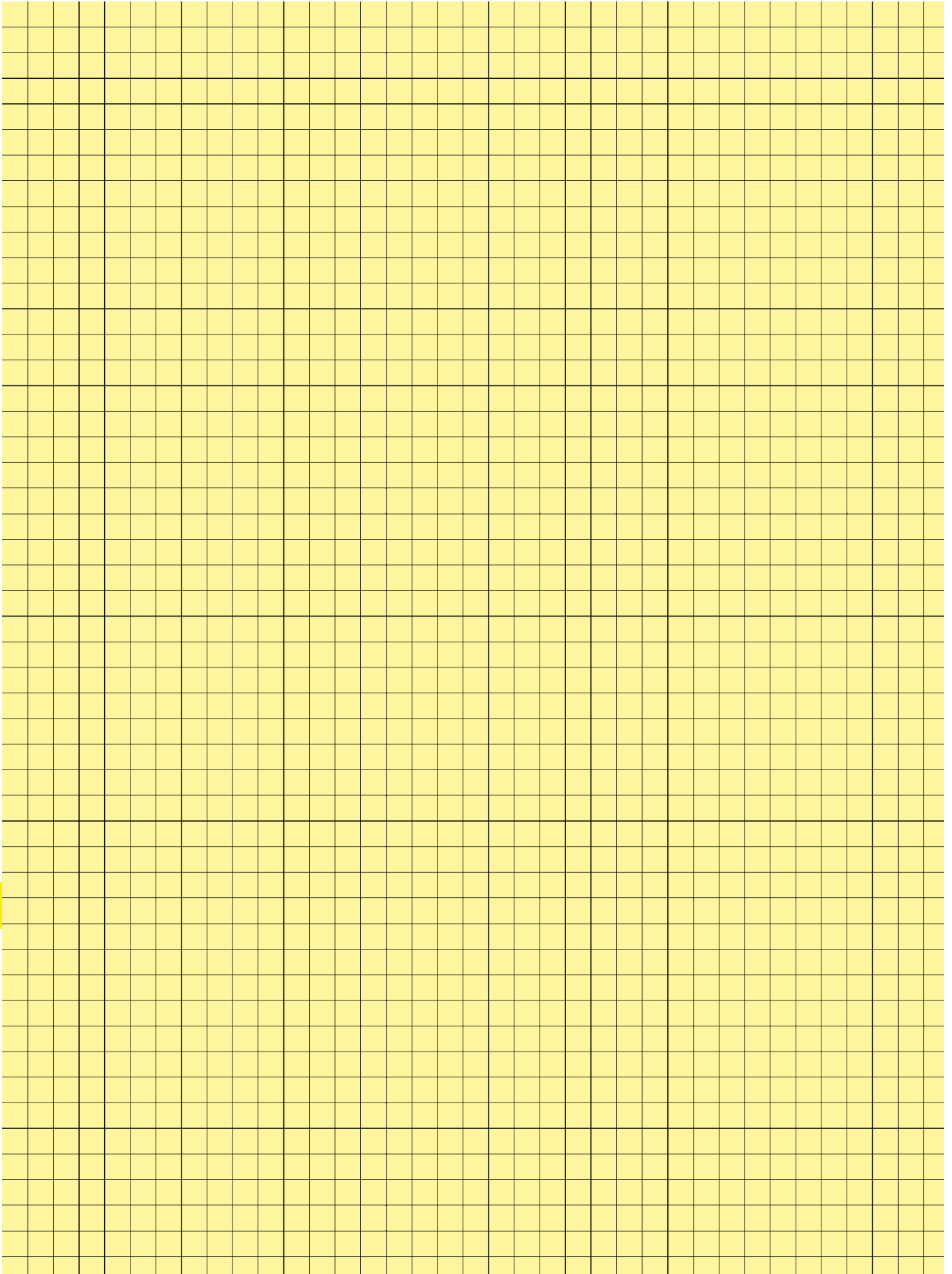
Identification		Part number	Pg	Drawing	Dimensions in mm
Hoods side entry		09 30 048 0540 <b>09 30 048 0541</b> 09 30 048 0542	1 x 29 1 x 36 1 x 42		
Hoods top entry		09 30 048 0440 09 30 048 0441 09 30 048 0442	1 x 29 1 x 36 1 x 42		

Metal hoods/housings for industrial applications / 1 lever locking system

Identification		Part number	Pg	Drawing	Dimensions in mm
Housings, bulkhead mounting		with thermo-plastic cover <b>09 30 048 0301</b> with metal cover <b>09 30 048 0317</b>		 Panel cut out	
Housings, surface mounting side entry		09 30 048 0290 09 30 048 0291	2 x 29 2 x 36	 1) Blind way	
side entry		09 30 048 0295 09 30 048 0296 09 30 048 2295 09 30 048 2296	2 x 29 2 x 36 2 x 29 2 x 36	 1) Blind way	

Han Hoods  
Housings

\* usable for two inserts of size 24 B  
Stock items in bold type



Han Hoods  
Housings



**Pushing Performance**

**HARTING Technology Group**

1370 Bowes Road  
Elgin, IL 60123 USA  
Phone 1 (847) 741-1500  
info@HARTING.com  
www.HARTING-usa.com