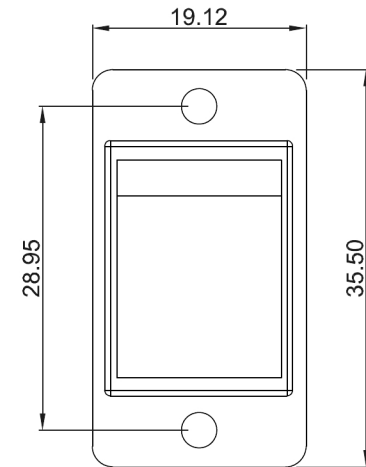
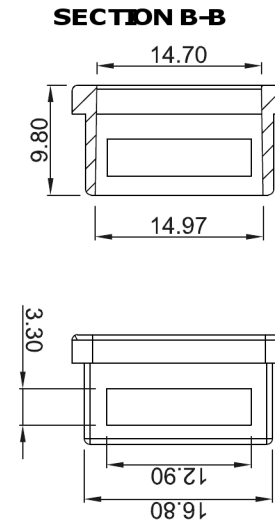
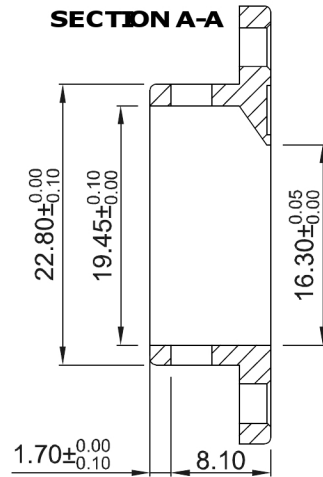
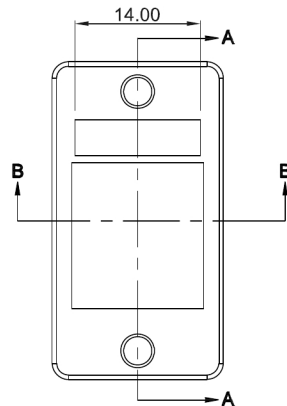
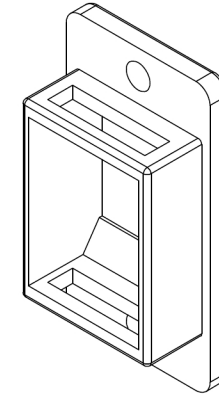
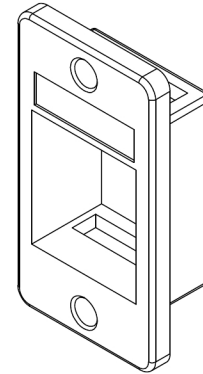
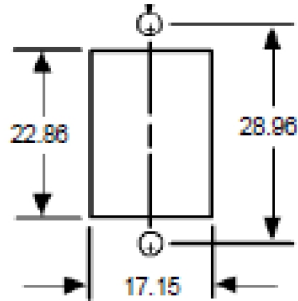


ROHS Compliant

Code: KApma

Requirements for cut-out:



TOLERANCE	
.XXXX	----
.XXX	0.10
.XX	0.25
.X	0.38

Material:
Housing: Zinc Alloy
Accessory: Screw x 2

