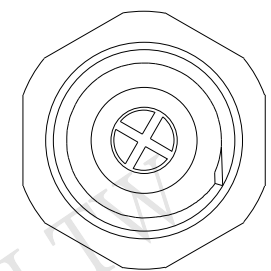
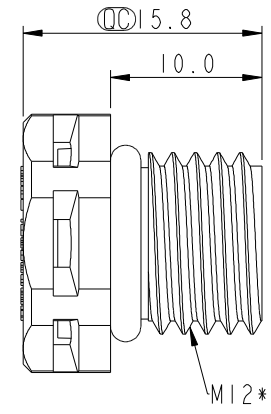
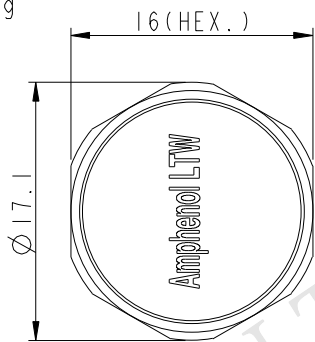
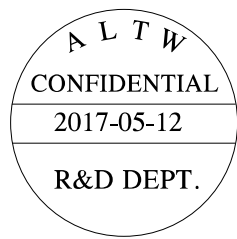
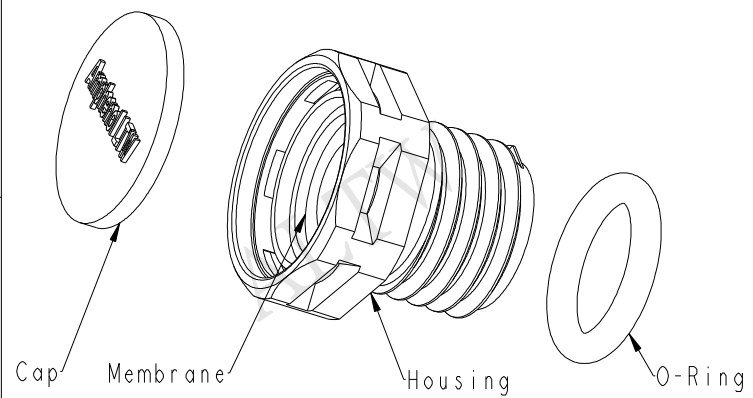


THIS DOCUMENT IS SUBJECT TO CHANGE WITHOUT NOTICE. IT IS CONFIDENTIAL AND A PROPERTY OF Amphenol LTW. DISCLOSURE TO THIRD PARTY HAS TO BE AUTHORIZED BY Amphenol LTW.

REV.	ECN NO.	DATE	SIGN	DESCRIPTION
A	Initial Release	2017/03/28	Jinhai	Chnage Rev.05 To Rev.A
B		2017/05/12	Jinhai	Add Recommended thickness of plank



Without Nut				
成品料號 (Product no.)	透氣量 ml/min@70mbar	主體顏色 (Body Colour)	O-Ring Color	疏油性 (Oleophobic)
VENT-PSINGY-N8001	>1000	Gray	Blue	N
VENT-PSINBK-N8001	>1000	Black	Blue	N
VENT-PSINGY-O8001	>550	Gray	Black	Y
VENT-PSINBK-O8001	>550	Black	Black	Y
VENT-PSINGY-O8002	>1000	Gray	Green	Y
VENT-PSINBK-O8002	>1000	Black	Green	Y

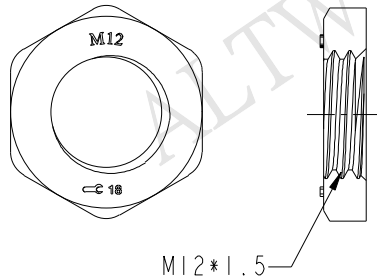
With Nut				
成品料號 (Product no.)	透氣量 ml/min@70mbar	主體顏色 (Body Colour)	O-Ring Color	疏油性 (Oleophobic)
VENT-PSIYGY-N8001	>1000	Gray	Blue	N
VENT-PSIYBK-N8001	>1000	Black	Blue	N
VENT-PSIYGY-O8001	>550	Gray	Black	Y
VENT-PSIYBK-O8001	>550	Black	Black	Y
VENT-PSIYGY-O8002	>1000	Gray	Green	Y
VENT-PSIYBK-O8002	>1000	Black	Green	Y

UNIT: mm		TITLE: M12*1.5 VENT
TOLERANCE .X ±0.25 .XX ±0.1 .XXX ±0.05 ANGLES ±1°	SCALE: 2:1 REV. B	SIZE: A4 WC-REV. A.4 SHEET 1 OF 2 QC: Inspection item

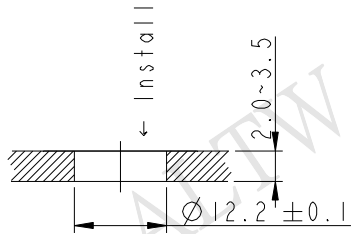
**Amphenol LTW**  
安費諾亮泰企業股份有限公司

ITEM NO.	DRAWN BY: Jinhai	DATE: 2017-05-12
DWG NO. VENT-PSIXXX-XXXXX	CHECKED BY: Feng-li	DATE: 2017-05-12
CUSTOMER: ALTW	APPROVED BY: Jerry	DATE: 2017-05-12

Screw Nut: Optional part  
 No.: APTP-ABKPA012-001  
 螺母作為選配件

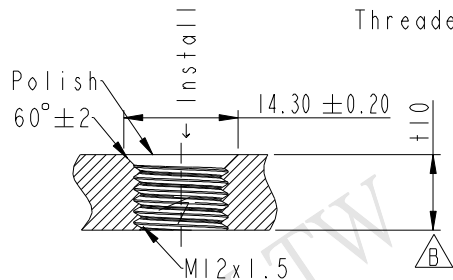


Through-hole



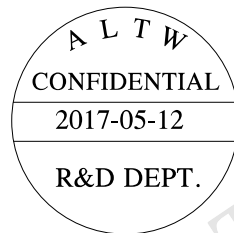
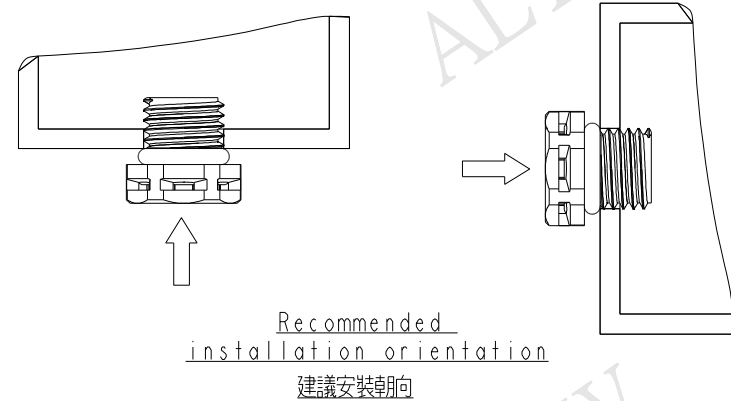
Recommended Panel Cut-Out  
 建議開孔尺寸

Threaded-hole



Recommended Panel Cut-Out  
 建議開孔尺寸

REV.	ECN NO.	DATE	SIGN	DESCRIPTION



- Note:
- \*  $\varnothing$  Important Dimension.
  - \* Waterproof Rate: IP68((2m, 60minutes), IP69K)
  - \* Cap: Nylon+GF, 94V-0, UV Resistance
  - \* Membrane: ePTFE
  - \* Body: Nylon+GF, 94V-0, UV Resistance
  - \* O-Ring: Silicone
  - \* Nut Torque Force: 6.0~8.0 Kgf.cm

UNIT:mm			TITLE M12*1.5 VENT
TOLERANCE	.X ±0.25	.XX ±0.1	SCALE 2:1
.XXX ±0.05	ANGLES ±1°	SIZE A4	SHEET 2 OF 2
		WC-REV. A.4	REV. B
			QC: Inspection item

**Amphenol LTW**  
 安費諾亮泰企業股份有限公司

ITEM NO	DRAWN BY Jinhai	DATE 2017-05-12
DWG NO VENT-PSIXXX-XXXXX	CHECKED BY Feng-li	DATE 2017-05-12
CUSTOMER ALTW	APPROVED BY Jerry	DATE 2017-05-12

THIS DOCUMENT IS SUBJECT TO CHANGE WITHOUT NOTICE. IT IS CONFIDENTIAL AND A PROPERTY OF AMPHENOL LTW. DISCLOSURE TO THIRD PARTY HAS TO BE AUTHORIZED BY AMPHENOL LTW.