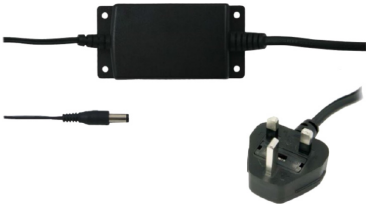


# 12W AC-DC Installation Power Supply

## 24V DC, 0.625A

**multicomp** PRO

**RoHS  
Compliant**



### Features

- Level VI
- Universal / Full range AC input
- Fixed AC mains lead (UK plug)
- Class II power (no earth)
- Small & Compact design

### Description

This 15 Watt AC/DC Installation Power supplies are offered in a low profile compact enclosure with 4 mounting tabs, a fixed AC Input Cable and DC Output Cable, Single output voltage between 5V DC – 24V DC. These highly reliable power supplies can be used in many indoor applications such as CCTV, Access control and Building Management Systems.

### Specifications

|                          |   |
|--------------------------|---|
| Voltage                  | 24V DC  |
| Current Max              | 0.625A  |
| Power                    | 15W   |
| Line Regulation          | ±1%   |
| Ripple & Noise           | 150mV   |
| Protections              | Over Voltage, Over Load, Short Circuit, Temperature                             |
| Case Size                | 93.7mm (L) × 47mm (W) × 26mm (H)  |
| Weight                   | 250g  |
| DC Cord                  | 1.5m  |
| DC Plug                  | Straight 2.1 C+ve   |
| Rated Input Voltage      | 100V AC to 240V AC  |
| Full Input Voltage Range | 90V AC to 264V AC   |
| Full Frequency Range     | 47Hz to 63Hz  |
| Efficiency               | 84.12% Min. (CEC & DOE Level VI Compliant)<br>84.50% Min. (ErP Tier2 Compliant) |
| Input Current RMS Max    | 500mA   |
| Inrush Current           | NO Damage   |
| Leakage Current          | <0.25mA   |
| Input Power (No Load)    | <0.1W (CEC & DOE Level VI Compliant)<br><0.075W (ErP Tier2 Compliant)           |
| AC Mains Lead            | 1.8m UK plug  |
| Hi-Pot                   | 3000V AC 10mA 1Min.   |
| Operating Temperature    | 0°C to +40°C  |
| Storage Temperature      | -10°C to +70°C  |
| Operating Humidity       | 20% to 80%  |
| Storage Humidity         | 10% to 90%  |
| Safety Approvals         | GS & CE   |
| EMI Standards            | FCC Class B, CE & VCCI – II   |
| MTBF                     | 50K   |

Newark.com/multicomp-pro  
Farnell.com/multicomp-pro  
Element14.com/multicomp-pro

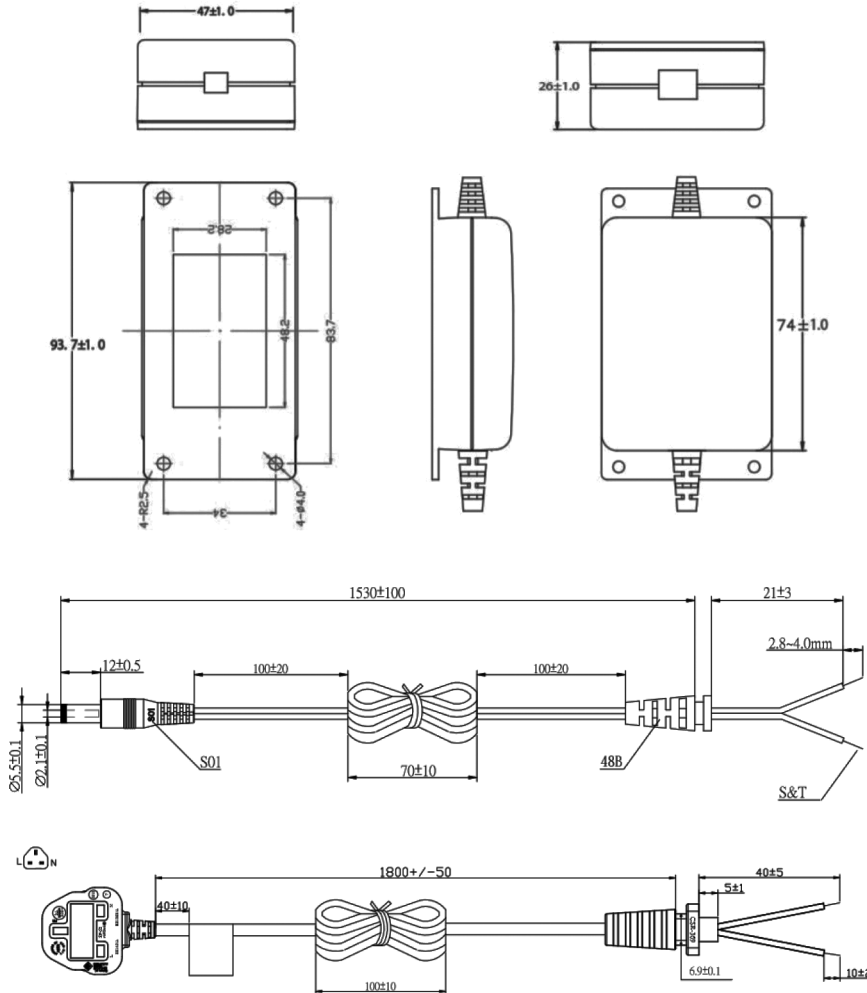
**multicomp** PRO

# 12W AC-DC Installation Power Supply

## 24V DC, 0.625A

**multicomp** PRO

### Diagram



Dimensions : Millimetres

### Part Number Table

| Description   | Part Number |
|---|-------------|
| Installation Power Supply, 15W, 24V DC, 0.625A, UK Plug | MP001985    |

**Important Notice :** This data sheet and its contents (the "Information") belong to the members of the AVNET group of companies (the "Group") or are licensed to it. No licence is granted for the use of it other than for information purposes in connection with the products to which it relates. No licence of any intellectual property rights is granted. The Information is subject to change without notice and replaces all data sheets previously supplied. The Information supplied is believed to be accurate but the Group assumes no responsibility for its accuracy or completeness, any error in or omission from it or for any use made of it. Users of this data sheet should check for themselves the Information and the suitability of the products for their purpose and not make any assumptions based on information included or omitted. Liability for loss or damage resulting from any reliance on the Information or use of it (including liability resulting from negligence or where the Group was aware of the possibility of such loss or damage arising) is excluded. This will not operate to limit or restrict the Group's liability for death or personal injury resulting from its negligence. Multicomp Pro is the registered trademark of Premier Farnell Limited 2019.

Newark.com/multicomp-pro  
Farnell.com/multicomp-pro  
Element14.com/multicomp-pro

**multicomp** PRO