

STARPOWER

SEMICONDUCTOR

IGBT

GD800HFY120C3S

1200V/800A 2 in one-package

General Description

STARPOWER IGBT Power Module provides ultra low conduction loss as well as short circuit ruggedness. They are designed for the applications such as high power converters.



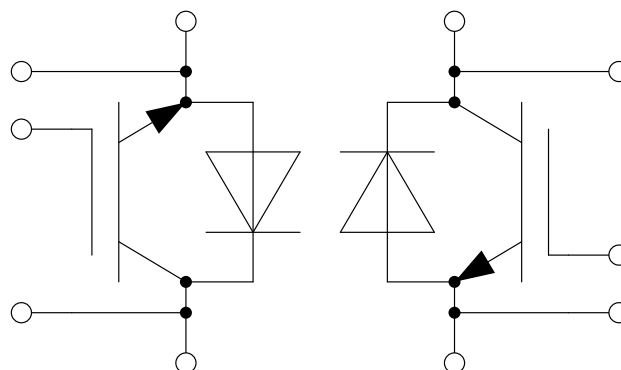
Features

- Low $V_{CE(sat)}$ Trench IGBT technology
- 10 μ s short circuit capability
- $V_{CE(sat)}$ with positive temperature coefficient
- Maximum junction temperature 175°C
- Low inductance case
- Fast & soft reverse recovery anti-parallel FWD
- Isolated copper baseplate using DBC technology

Typical Applications

- High Power Converters
- Motor Drivers
- AC Inverter Drives

Equivalent Circuit Schematic



Absolute Maximum Ratings $T_C=25^{\circ}\text{C}$ unless otherwise noted**IGBT**

Symbol	Description	Value	Unit
V_{CES}	Collector-Emitter Voltage	1200	V
V_{GES}	Gate-Emitter Voltage	± 20	V
I_C	Collector Current @ $T_C=25^{\circ}\text{C}$	1203	A
	@ $T_C=95^{\circ}\text{C}$	800	
I_{CM}	Pulsed Collector Current $t_p=1\text{ms}$	1600	A
P_D	Maximum Power Dissipation @ $T_j=175^{\circ}\text{C}$	3836	W

Diode

Symbol	Description	Value	Unit
V_{RRM}	Repetitive Peak Reverse Voltage	1200	V
I_F	Diode Continuous Forward Current	800	A
I_{FM}	Diode Maximum Forward Current $t_p=1\text{ms}$	1600	A

Module

Symbol	Description	Value	Unit
T_{jmax}	Maximum Junction Temperature	175	$^{\circ}\text{C}$
T_{jop}	Operating Junction Temperature	-40 to +150	$^{\circ}\text{C}$
T_{STG}	Storage Temperature Range	-40 to +125	$^{\circ}\text{C}$
V_{ISO}	Isolation Voltage RMS, $f=50\text{Hz}$, $t=1\text{min}$	4000	V

IGBT Characteristics $T_C=25^{\circ}\text{C}$ unless otherwise noted

Symbol	Parameter	Test Conditions	Min.	Typ.	Max.	Unit
$V_{CE(sat)}$	Collector to Emitter Saturation Voltage	$I_C=800\text{A}, V_{GE}=15\text{V}, T_j=25^{\circ}\text{C}$		1.70	2.15	V
		$I_C=800\text{A}, V_{GE}=15\text{V}, T_j=125^{\circ}\text{C}$		1.95		
		$I_C=800\text{A}, V_{GE}=15\text{V}, T_j=150^{\circ}\text{C}$		2.00		
$V_{GE(th)}$	Gate-Emitter Threshold Voltage	$I_C=20.0\text{mA}, V_{CE}=V_{GE}, T_j=25^{\circ}\text{C}$	5.2	6.0	6.8	V
I_{CES}	Collector Cut-Off Current	$V_{CE}=V_{CES}, V_{GE}=0\text{V}, T_j=25^{\circ}\text{C}$			1.0	mA
I_{GES}	Gate-Emitter Leakage Current	$V_{GE}=V_{GES}, V_{CE}=0\text{V}, T_j=25^{\circ}\text{C}$			400	nA
R_{Gint}	Internal Gate Resistance			1.25		Ω
C_{ies}	Input Capacitance	$V_{CE}=25\text{V}, f=1\text{MHz}, V_{GE}=0\text{V}$		56.0		nF
C_{res}	Reverse Transfer Capacitance				3.20	
Q_G	Gate Charge	$V_{GE}=-15\dots+15\text{V}$		7.4		μC
$t_{d(on)}$	Turn-On Delay Time	$V_{CC}=600\text{V}, I_C=800\text{A}, R_G=0.9\Omega, V_{GE}=\pm 15\text{V}, T_j=25^{\circ}\text{C}$		257		ns
t_r	Rise Time			96		ns
$t_{d(off)}$	Turn-Off Delay Time			628		ns
t_f	Fall Time			103		ns
E_{on}	Turn-On Switching Loss			47		mJ
E_{off}	Turn-Off Switching Loss			68		mJ
$t_{d(on)}$	Turn-On Delay Time	$V_{CC}=600\text{V}, I_C=800\text{A}, R_G=0.9\Omega, V_{GE}=\pm 15\text{V}, T_j=125^{\circ}\text{C}$		268		ns
t_r	Rise Time			107		ns
$t_{d(off)}$	Turn-Off Delay Time			659		ns
t_f	Fall Time			144		ns
E_{on}	Turn-On Switching Loss			71		mJ
E_{off}	Turn-Off Switching Loss			103		mJ
$t_{d(on)}$	Turn-On Delay Time	$V_{CC}=600\text{V}, I_C=800\text{A}, R_G=0.9\Omega, V_{GE}=\pm 15\text{V}, T_j=150^{\circ}\text{C}$		278		ns
t_r	Rise Time			118		ns
$t_{d(off)}$	Turn-Off Delay Time			680		ns
t_f	Fall Time			155		ns
E_{on}	Turn-On Switching Loss			77		mJ
E_{off}	Turn-Off Switching Loss			113		mJ
I_{SC}	SC Data	$t_p \leq 10\mu\text{s}, V_{GE}=15\text{V}, T_j=150^{\circ}\text{C}, V_{CC}=800\text{V}, V_{CEM} \leq 1200\text{V}$		3200		A

Diode Characteristics $T_C=25^{\circ}\text{C}$ unless otherwise noted

Symbol	Parameter	Test Conditions	Min.	Typ.	Max.	Unit
V_F	Diode Forward Voltage	$I_F=800\text{A}, V_{GE}=0\text{V}, T_j=25^{\circ}\text{C}$		1.70	2.15	V
		$I_F=800\text{A}, V_{GE}=0\text{V}, T_j=125^{\circ}\text{C}$		1.65		
		$I_F=800\text{A}, V_{GE}=0\text{V}, T_j=150^{\circ}\text{C}$		1.65		
Q_r	Recovered Charge	$V_{CC}=600\text{V}, I_F=800\text{A},$ $-di/dt=9500\text{A}/\mu\text{s}, V_{GE}=\pm 15\text{V},$ $T_j=25^{\circ}\text{C}$		76		μC
I_{RM}	Peak Reverse Recovery Current			570		A
E_{rec}	Reverse Recovery Energy			38.0		mJ
Q_r	Recovered Charge	$V_{CC}=600\text{V}, I_F=800\text{A},$ $-di/dt=9500\text{A}/\mu\text{s}, V_{GE}=\pm 15\text{V},$ $T_j=125^{\circ}\text{C}$		133		μC
I_{RM}	Peak Reverse Recovery Current			760		A
E_{rec}	Reverse Recovery Energy			73.2		mJ
Q_r	Recovered Charge	$V_{CC}=600\text{V}, I_F=800\text{A},$ $-di/dt=9500\text{A}/\mu\text{s}, V_{GE}=\pm 15\text{V},$ $T_j=150^{\circ}\text{C}$		152		μC
I_{RM}	Peak Reverse Recovery Current			798		A
E_{rec}	Reverse Recovery Energy			83.6		mJ

Module Characteristics $T_C=25^{\circ}\text{C}$ unless otherwise noted

Symbol	Parameter	Min.	Typ.	Max.	Unit
L_{CE}	Stray Inductance		20		nH
$R_{CC'+EE'}$	Module Lead Resistance, Terminal to Chip		0.18		m Ω
R_{thJC}	Junction-to-Case (per IGBT)			39.1	K/kW
	Junction-to-Case (per Diode)			64.7	
R_{thCH}	Case-to-Heatsink (per IGBT)		19.3		K/kW
	Case-to-Heatsink (per Diode)		31.9		
	Case-to-Heatsink (per Module)		6.0		
M	Terminal Connection Torque, Screw M4	1.8		2.1	N.m
	Terminal Connection Torque, Screw M8	8.0		10	
	Mounting Torque, Screw M6	4.25		5.75	
G	Weight of Module		1500		g

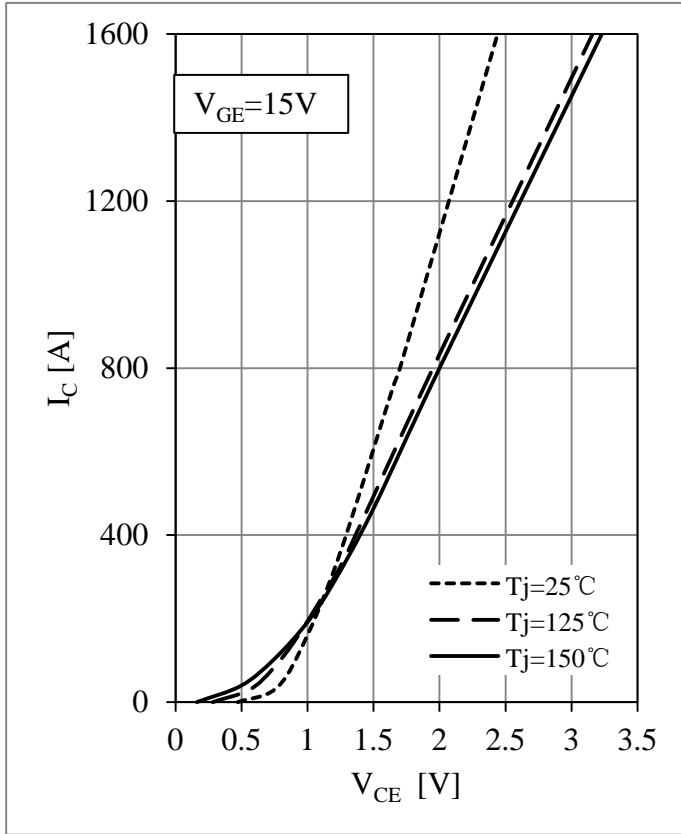


Fig 1. IGBT Output Characteristics

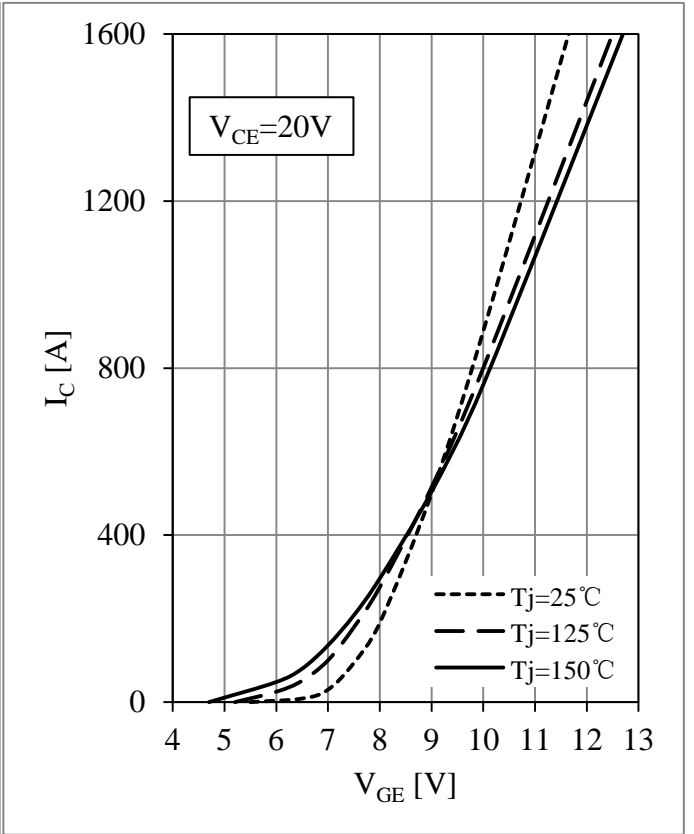


Fig 2. IGBT Transfer Characteristics

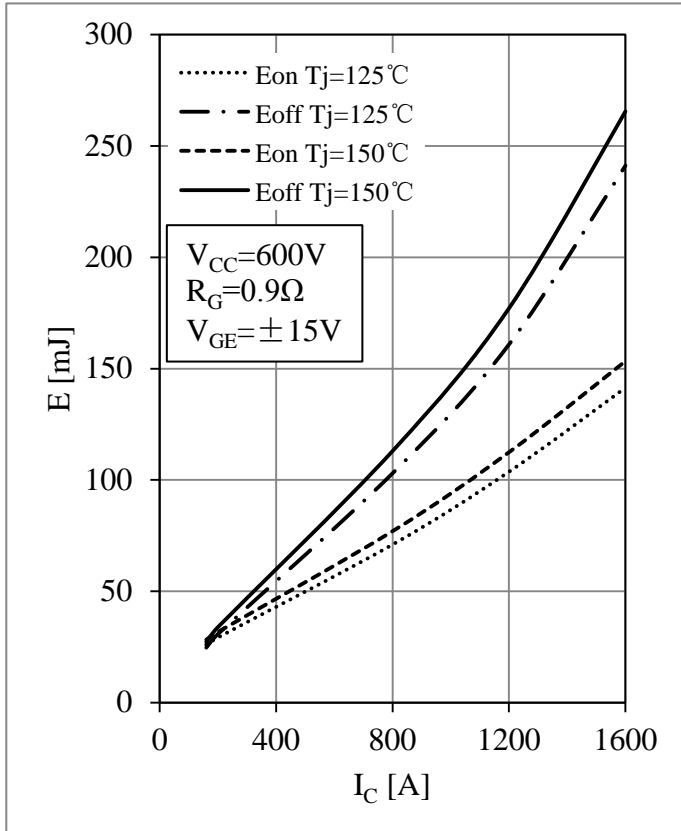


Fig 3. IGBT Switching Loss vs. I_C

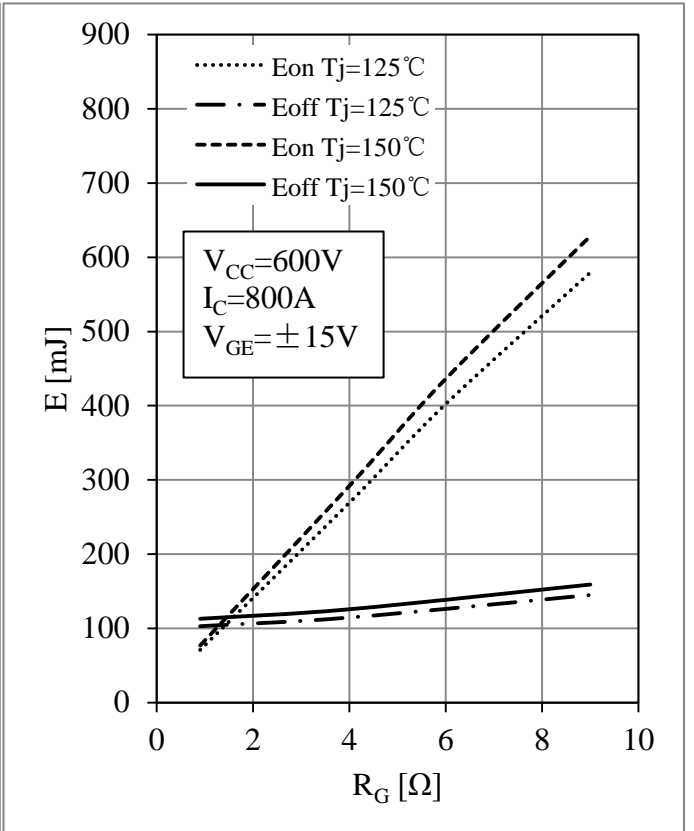


Fig 4. IGBT Switching Loss vs. R_G

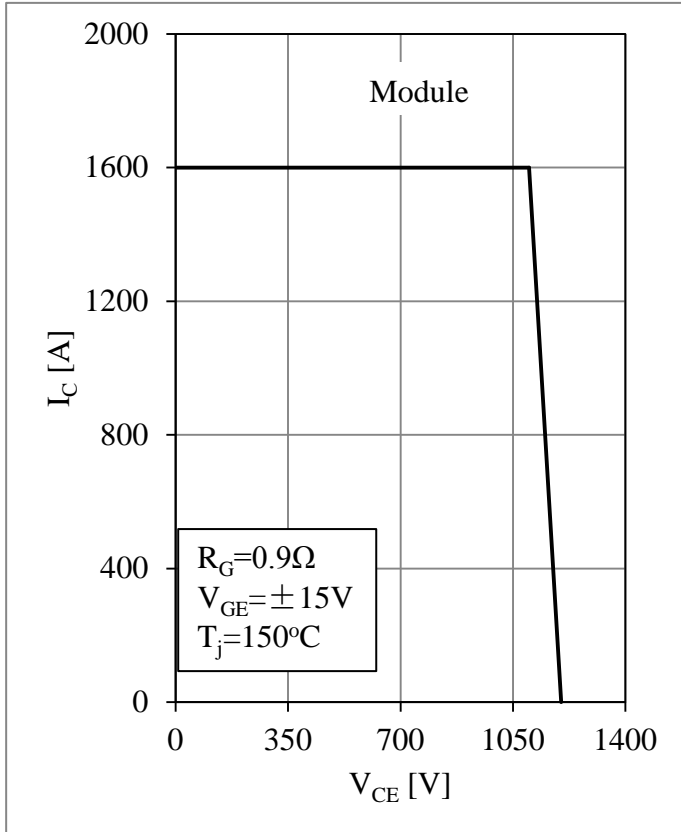


Fig 5. RBSOA

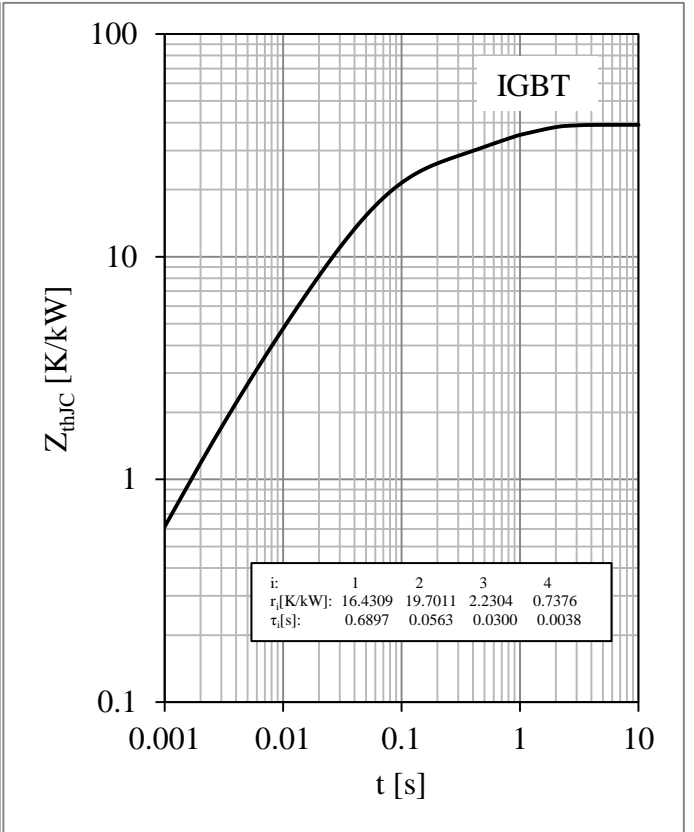


Fig 6. IGBT Transient Thermal Impedance

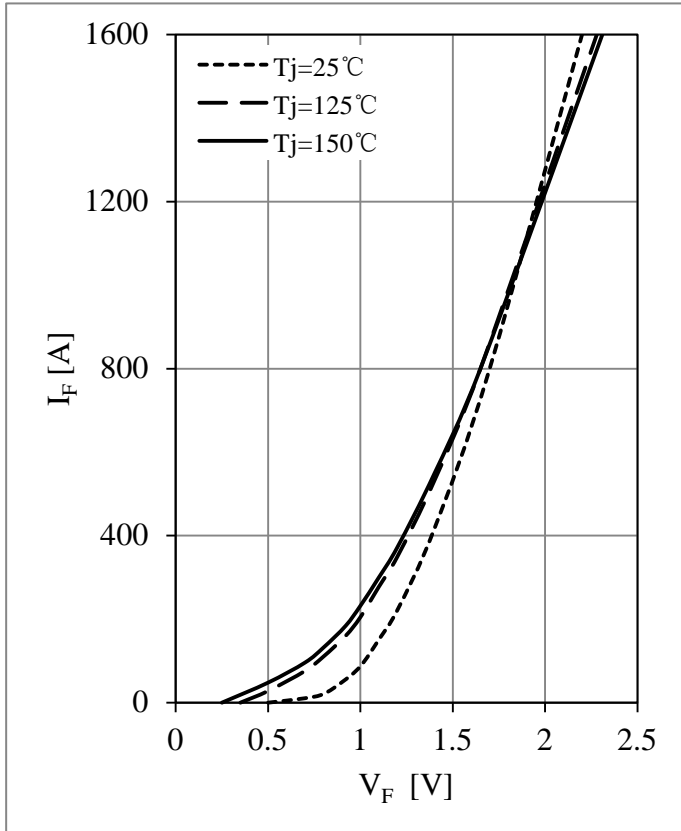


Fig 7. Diode Forward Characteristics

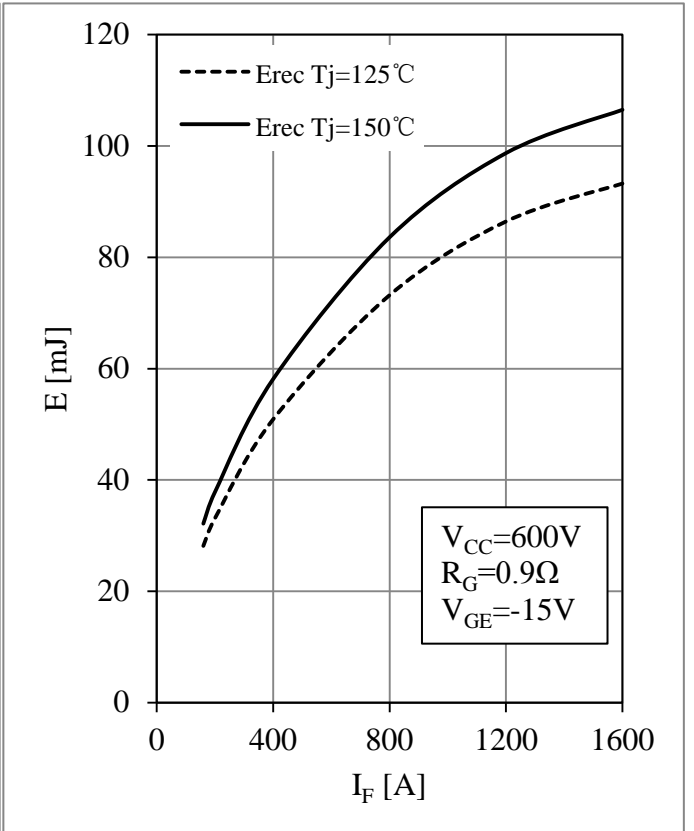


Fig 8. Diode Switching Loss vs. I_F

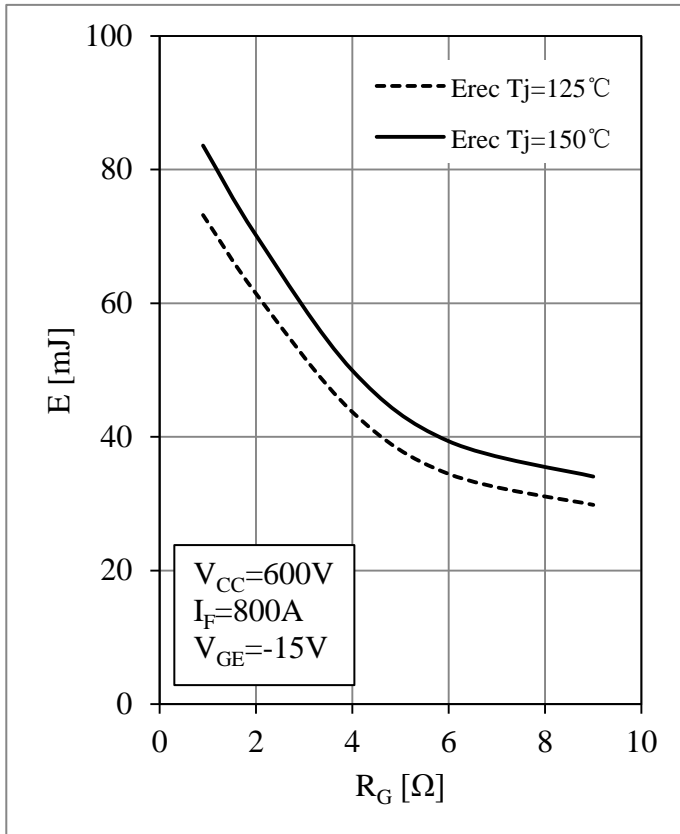


Fig 9. Diode Switching Loss vs. R_G

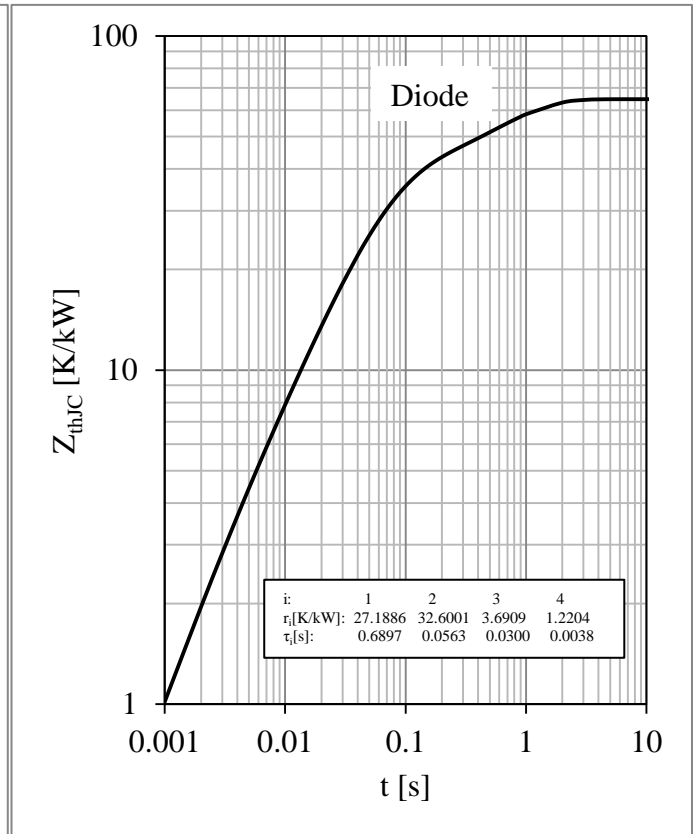
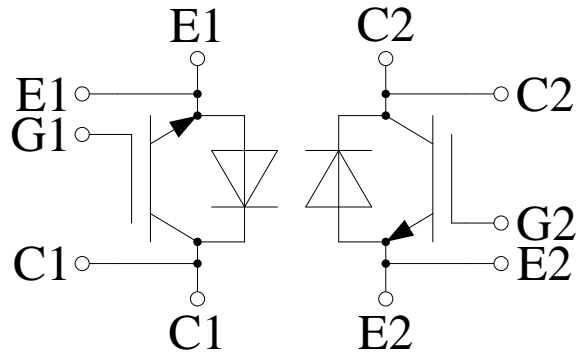


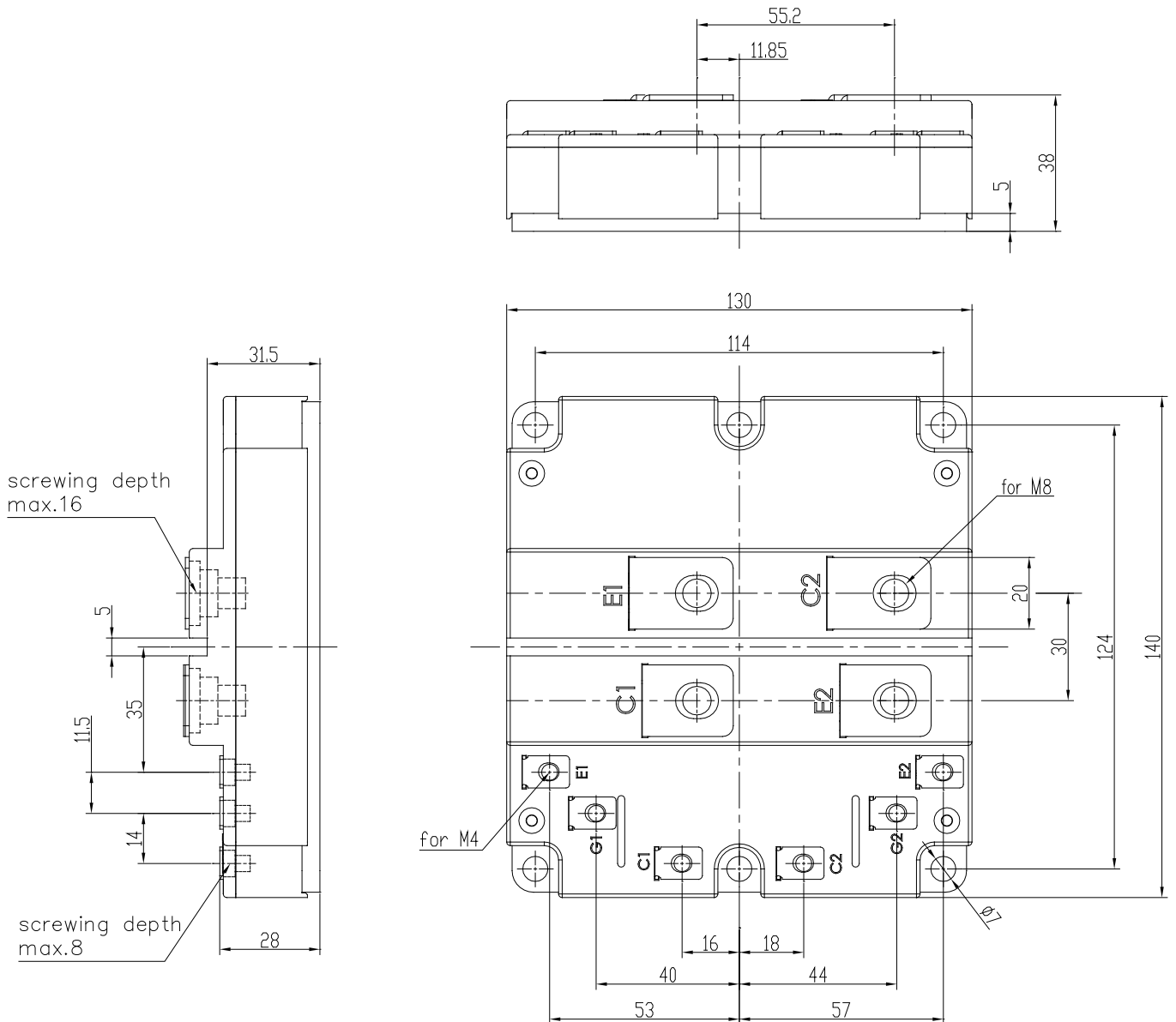
Fig 10. Diode Transient Thermal Impedance

Circuit Schematic



Package Dimensions

Dimensions in Millimeters



Terms and Conditions of Usage

The data contained in this product datasheet is exclusively intended for technically trained staff. you and your technical departments will have to evaluate the suitability of the product for the intended application and the completeness of the product data with respect to such application.

This product data sheet is describing the characteristics of this product for which a warranty is granted. Any such warranty is granted exclusively pursuant the terms and conditions of the supply agreement. There will be no guarantee of any kind for the product and its characteristics.

Should you require product information in excess of the data given in this product data sheet or which concerns the specific application of our product, please contact the sales office, which is responsible for you (see www.powersemi.cc), For those that are specifically interested we may provide application notes.

Due to technical requirements our product may contain dangerous substances. For information on the types in question please contact the sales office, which is responsible for you.

Should you intend to use the Product in aviation applications, in health or live endangering or life support applications, please notify.

If and to the extent necessary, please forward equivalent notices to your customers.
Changes of this product data sheet are reserved.