

Double pendulum jaw

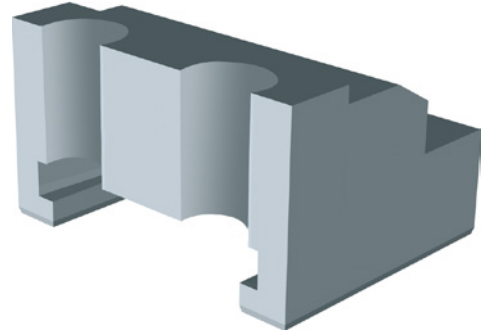
ATORN®

Application

For clamping non-parallel workpieces, cast parts and moulded workpieces, does not include thrust pads

Version

- including replaceable pressure pieces of your choice (ref. no. 305-307)
- Accessories for ref. no. 28790
- Adjustment angle $\pm 2^\circ$
- and 1 piece grooved jaw ref. no. 314



Art. No.	28790 304
Type	Double pendulum jaw
Length	100 mm
Jaws thickness	80 mm
Height	50 mm

EAN-Code

4050293192834