

SIEMENS CONTACTOR SUPPRESSOR

Diode, 0...240VDC

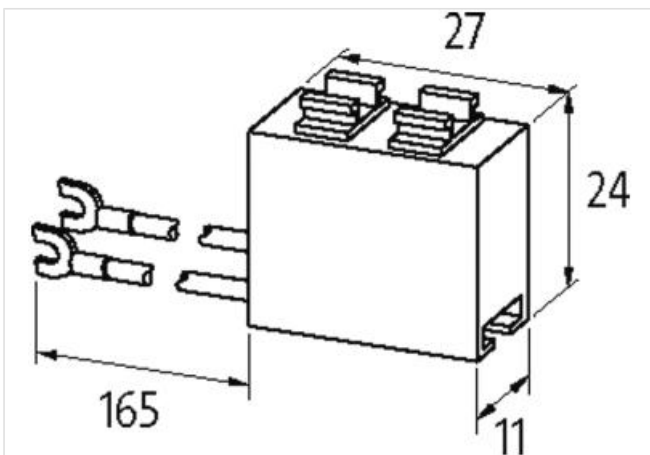
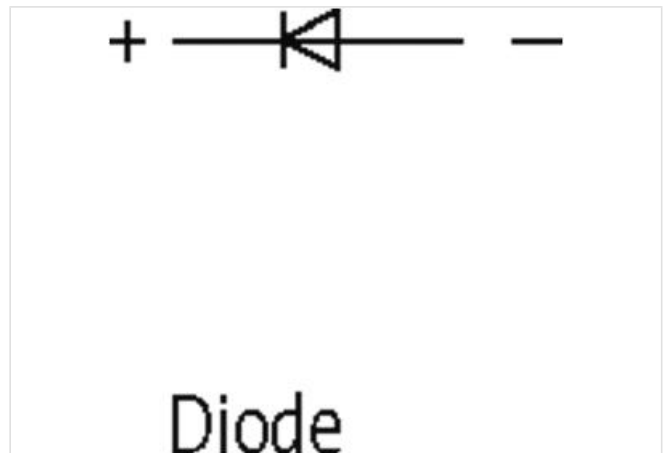
48 V AC/DC

Diode

For other configurations and voltages, please inquire.

[Link to Product](#)

Illustration



Product may differ from Image



Commercial data

ECLASS-6.0	27371013
ECLASS-6.1	27371013
ECLASS-7.0	27371013
ECLASS-8.0	27371013
ECLASS-9.0	27371013
ECLASS-10.1	27371013

ECLASS-11.1	27371013
ECLASS-12.0	27371013
ETIM-5.0	EC002498
customs tariff number	85363010
GTIN	4048879018494
Packaging unit	1

Compatibility | Compatible with

Appropriate contactors	3 TH 3/4/8; 3 TF 30...45; 3 TB 40...3 TB 44
------------------------	---

Electrical data

Damping factor	1.5× UN
Holding power max.	15 W

Electrical data | Input

Input voltage DC min.	12 V
Input voltage DC max.	250 V

Installation | Connection

Connection information	self-securing cable forks
------------------------	---------------------------

Device protection | Media

Flame resistance	flame retardant
------------------	-----------------

Mechanical data | Material data

Combustibility class housing (UL94)	V-0
Material housing	Plastic

Mechanical data | Mounting data

Height	11 mm
Width	27 mm
Depth	24 mm

Environmental characteristics | Climatic

Operating temperature min.	-20 °C
Operating temperature max.	70 °C