

INTERFACE TERMINAL RELAY

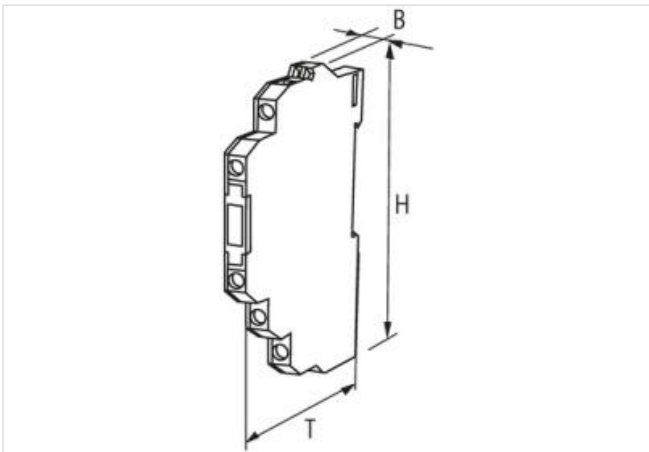
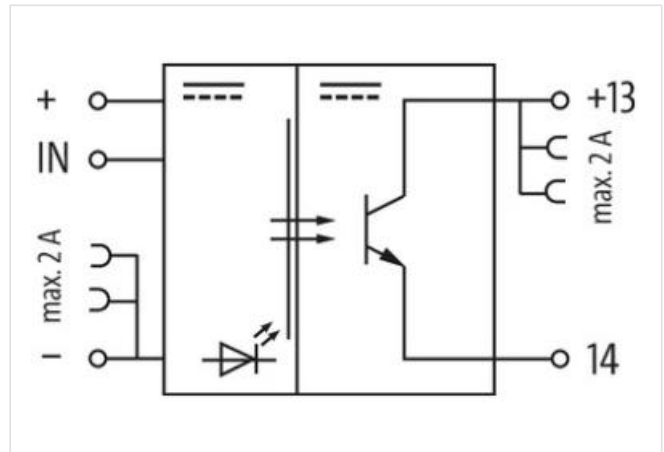
IN: 24 VDC - OUT: 24 VDC / 0.2 A

Transistor 0.2 A

24 V DC

Control current 0.1 mA (5 V DC)

Screw terminals

[Link to Product](#)**Illustration**

Product may differ from Image

**Commercial data**

ECLASS-6.0	27371604
ECLASS-6.1	27371604
ECLASS-7.0	27371604
ECLASS-8.0	27371604
ECLASS-9.0	27371604
ECLASS-10.1	27371604

ECLASS-11.1	27371604
ECLASS-12.0	27371604
ETIM-5.0	EC001504
customs tariff number	85414900
GTIN	4048879024518
Packaging unit	1

Electrical data | Input

Input voltage OFF DC min.	0 V
Input voltage OFF DC max.	1,5 V
Input voltage DC	24 V
Input voltage DC min.	1,9 V
Input voltage DC max.	30 V
Input current DC max.	16 mA

Electrical data | Output

Switch off delay max.	20 µs
Quiescent current OFF max.	0,1 mA
Switching frequency max.	20000 Hz
Voltage switching DC min.	5 V
Switching voltage DC max.	48 V
Switching current min.	0,1 mA
Switching current max.	0,2 A
Voltage drop DC max.	1,2 V

Diagnostics

Status indication LED	yellow
-----------------------	--------

Device protection | Electrical

Rated insulation voltage	3750 V
--------------------------	--------

Device protection | Media

Flame resistance	flame retardant
------------------	-----------------

Mechanical data | Material data

Color housing	black
Material housing	Plastic

Mechanical data | Mounting data

Mounting method	geschnappt
Suitable for mounting type	mounting rail, (EN 60715)
Height	91 mm
Width	6,2 mm
Depth	71 mm

Environmental characteristics | Climatic

Operating temperature min.	-20 °C
Operating temperature max.	60 °C
Storage temperature min.	-40 °C
Storage temperature max.	80 °C

Connection type 5

Connection	Screw terminals SK
Family construction form	terminal
Gender	female
Color contact carrier	black
No. of poles	1
PIN 1	-
Connection	Screw terminals SK
Family construction form	terminal

Gender	female
Color contact carrier	black
No. of poles	1
PIN 1	+
Connection	Screw terminals SK
Family construction form	terminal
Gender	female
Color contact carrier	black
No. of poles	1
PIN 1	In
Connection	Screw terminals SK
Family construction form	terminal
Gender	female
Color contact carrier	black
No. of poles	1
PIN 1	14
Connection	Screw terminals SK
Family construction form	terminal
Gender	female
Color contact carrier	black
No. of poles	1
PIN 1	13 +