

SIEMENS CONTACTOR SUPPRESSOR

Varistor and LED, 24VAC/DC

24 V AC/DC

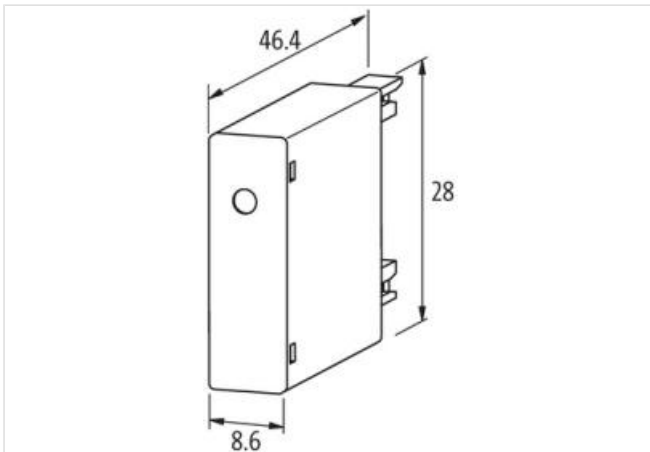
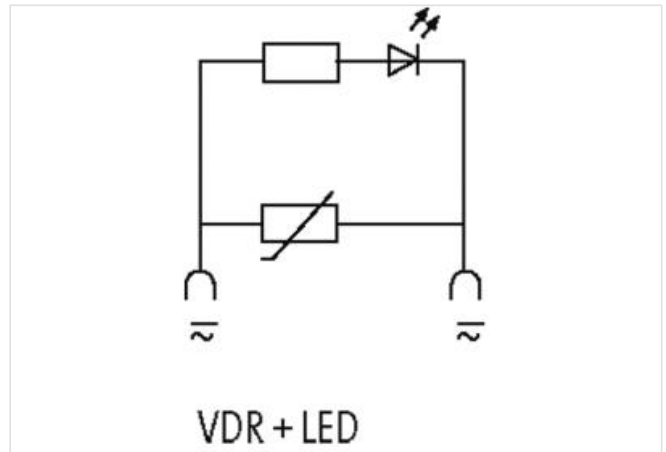
48 V AC/DC

VDR + LED

For other configurations and voltages, please inquire.

[Link to Product](#)

Illustration



Product may differ from Image



Commercial data

ECLASS-6.0	27371013
ECLASS-6.1	27371013
ECLASS-7.0	27371013
ECLASS-8.0	27371013
ECLASS-9.0	27371013
ECLASS-10.1	27371013

ECLASS-11.1	27371013
ECLASS-12.0	27371013
ETIM-5.0	EC002498
customs tariff number	85363010
GTIN	4048879010610
Packaging unit	1

Compatibility | Compatible with

Appropriate contactors	3 RT 20.15/16/17/18
------------------------	---------------------

Electrical data

Damping factor	1.5x UN
----------------	---------

Electrical data | Input

Input voltage AC min.	12 V
Input voltage AC max.	48 V
Input voltage DC min.	12 V
Input voltage DC max.	48 V

Installation | Connection

Connection information	Plug contact
------------------------	--------------

Device protection | Media

Flame resistance	flame retardant
------------------	-----------------

Mechanical data | Material data

Combustibility class housing (UL94)	V-0
Material housing	Plastic

Mechanical data | Mounting data

Height	46,4 mm
Width	28 mm
Depth	8,6 mm

Environmental characteristics | Climatic

Operating temperature min.	-20 °C
Operating temperature max.	70 °C