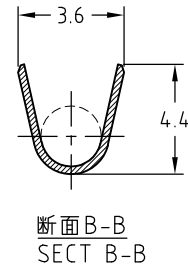
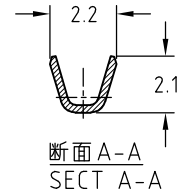
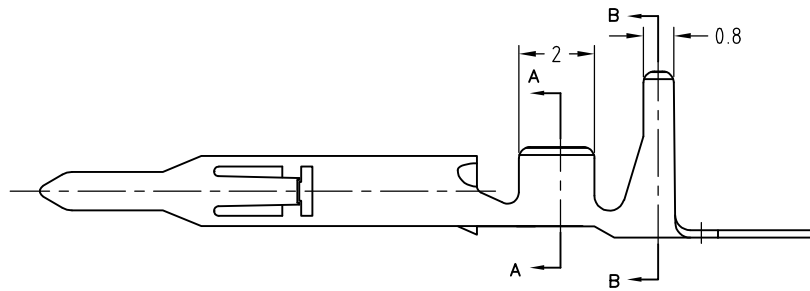
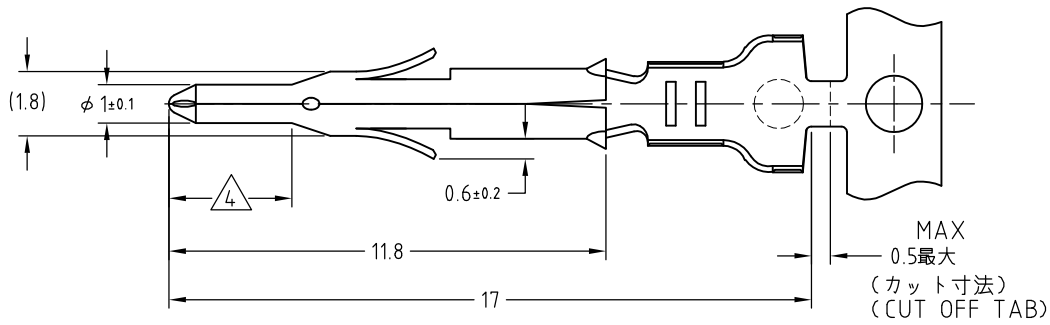


LOC J	DIST —	REVISIONS 変更			DATE	DWN	APVD
		P	LTR	DESCRIPTION			
			K1	REVISED PER ECO-11-005030	11MAR11	RK	HMR



注記

1. 使用ハウジングはキャップ及びプラグ
- △ 2本圧着の被覆外径は3.4mm最大
3. 取扱説明書：IS-105J
- △ 全面ニッケルメッキの上に0.76μm最小の金メッキを施す。

NOTES

1. APPLICABLE HOUSING : CAP AND PLUG.
- △ APPLICABLE INSULATION DIA METER FOR TWO-WIRE CRIMP IS 3.4mm MAX.
3. INSTRUCTION SHEET : IS-105J
- △ SELECTIVE GOLD PLATED AREA 0.76μm MIN THK OVER Ni PLATED.

170361,170362 170365,170366	170364-4	PRE TIN PHOS BRO 0.2t 錫めっき済磷青銅 0.2t	170360-4
	170364-3	BRASS 0.2t 黄銅 0.2t	170360-3
	170364-1	PRE TIN BRASS 0.2t 錫めっき済黄銅 0.2t	170360-1
かん合相手型番 MATING CON'T	ばら状端型番 LP.NO	材料 MATERIAL	型番 P/N

WIRE RANGE 絶合電線断面積 AWG#22~#18 0.30~0.59mm<sup>2</sup> INSULATION DIA 被覆外径 △ 1.5~2.4mm

THIS DRAWING IS UNPUBLISHED.

RELEASED FOR PUBLICATION

ALL RIGHTS RESERVED.

COPYRIGHT - By -

DIMENSIONS: 単位：耗 mm	DWN J.SATO 18JAN2008	MATERIAL 材料 SEE TABLE	FINISH 仕上
	CHK S.MANABE 18JAN2008	TE Connectivity	
TOLERANCES UNLESS OTHERWISE SPECIFIED: 一般公差	APVD S.MANABE 18JAN2008		
0 PLC ± ±0.3	PRODUCT SPEC 製品規格 108-5138	SIZE A4	CAGE CODE 00779
1 PLC ±	APPLICATION SPEC 取付適用規格 114-5050	DRAWING NO 番号 170360	RESTRICTED TO —
2 PLC ±	WEIGHT	SCALE 尺度 4:1	
3 PLC ±		SHEET 1 OF 1	
4 PLC ±		REV K1	
ANGLES ±	CUSTOMER DRAWING		