

## FEATURES

- Hardened stainless steel frame and measuring jaws
- Thumbroll adjustment
- Knurled locking screw
- Depth rod
- Clear LCD Display
- Large 11mm digits


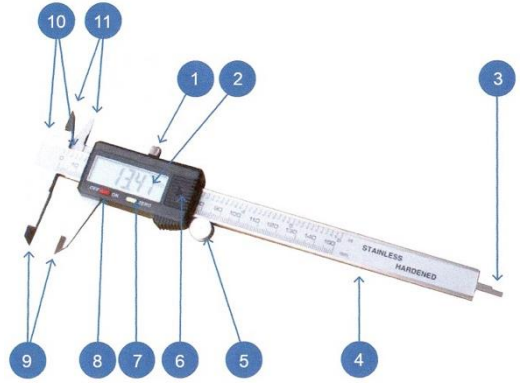
# RS PRO Electronic Digital Caliper DIN862

RS Stock No.: 2436616, 2436808,  
2436809, 2436810, 2436812, 2436813,  
2436814



RS Professionally Approved Products bring to you professional quality parts across all product categories. Our product range has been tested by engineers and provides a comparable quality to the leading brands without paying a premium price.

### Product Description

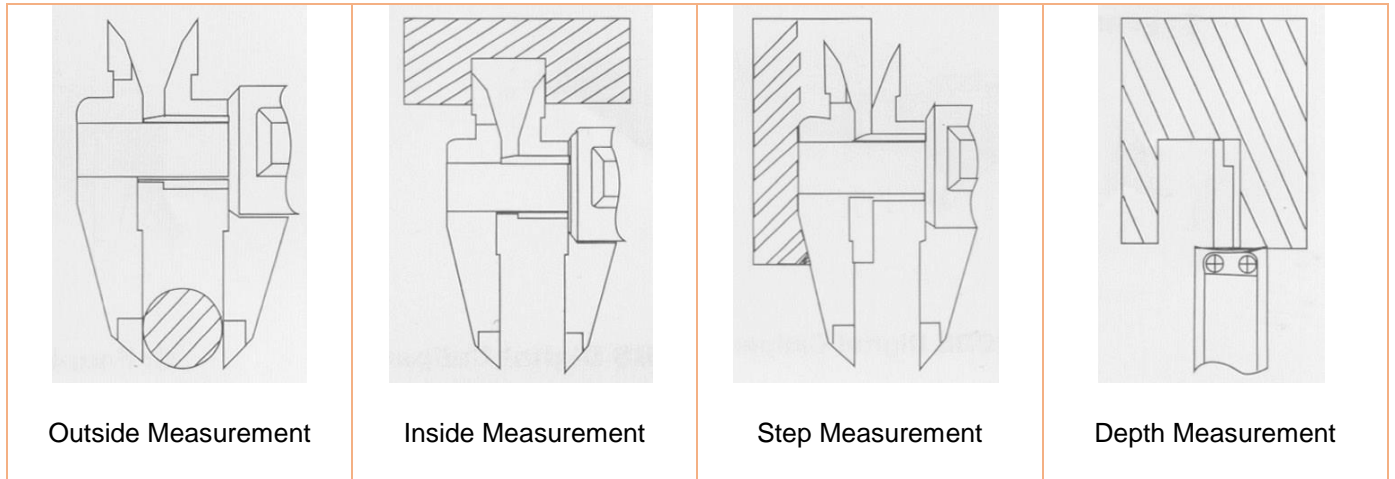
<p>Metric only model</p> 	<p>Hardened stainless steel frame and measuring jaws          Thumbroll adjustment          Knurled locking screw          Depth rod          Clear LCD Display          Large 11mm digits          Origin setting          Resolution: 0.01mm          Repeatability: 0.01mm          4 Way measurement:          Individual serial numbers          Power: 1 x Silver oxide battery SR44 - 1.55v          Operating temperature: 5 - 40°C          Relative humidity: Maximum 80%          Warranty: 1 year</p>
	<p>1 Knurled Locking Screw          2 LCD Display          3 Depth Measuring Blade          4 Caliper Beam          5 Thumbroll Fine Adjustment          6 Battery Cover          7 Zero Set Button          8 Power Button ON/OFF          9 External Measuring Jaws          10 Step Measuring Faces          11 Internal Measuring Jaws</p>
<p><b>Manufacturers code</b></p>	<p>2436616</p>
<p><b>Description</b></p>	<p>Electronic Caliper 0-150mm</p>

### General Specifications

<b>Range</b>	150mm
<b>Resolution</b>	0.01mm
<b>Repeatability</b>	0.01mm
<b>Accuracy</b>	±0.02mm (≤ 100mm) ±0.03mm (≥ 100mm – 150mm)
<b>External Jaw Length</b>	40mm
<b>Internal Jaw Length</b>	18mm

## Electronic Caliper

### 4 Way Measurement Feature



### OPERATING INSTRUCTIONS

When using the Caliper for the first time or after a period of non-use, wipe the beam scale with a dry clean cloth to remove any condensation or oil deposits.

Prior to setting the caliper for measuring, first clean the measuring faces with a soft clean cloth or paper.

Switch Caliper ON

Move Caliper jaws together.

Select required measuring mode Inch / Metric.

Zero display, caliper is now ready for direct measurement.

Caliper can be zeroed at any position within its range, to provide relative measurements.

Caliper provides 4 way measurements, External, Internal, Step and Depth.

### OPERATING CARE

Clean measuring faces with dry soft cloth

Keep away from strong magnetic fields

Prevent ingress of oil / liquids into electronics

Remove battery if instrument is not used for a long period of time

Do not disassemble or drop the instrument

**Do not mark instrument by engraving, etching or any other permanent marking method, as this will invalidate the warranty**

### FAULT FINDING

Fault	Cause	Action
Display flashes	Battery voltage below 1.45volts	Replace battery
Display frozen	Circuit overload	Remove battery and replace after 4 minutes
Accuracy below specification but within +/- 0.1mm	Dirt in sensor	Remove slider cover assembly, clean face of sensor with dry clean compressed air (5kg/cm <sup>2</sup> )
No display	Poor battery contact Dead battery	Remove battery and carefully adjust battery contacts, replace battery. Replace battery.