

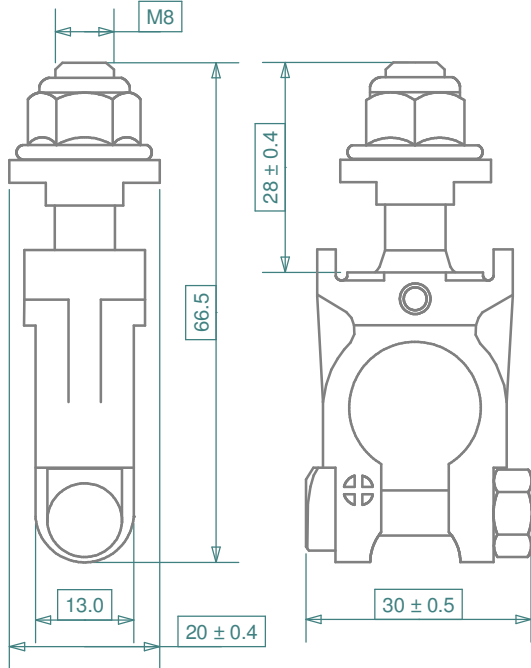
1

2

3

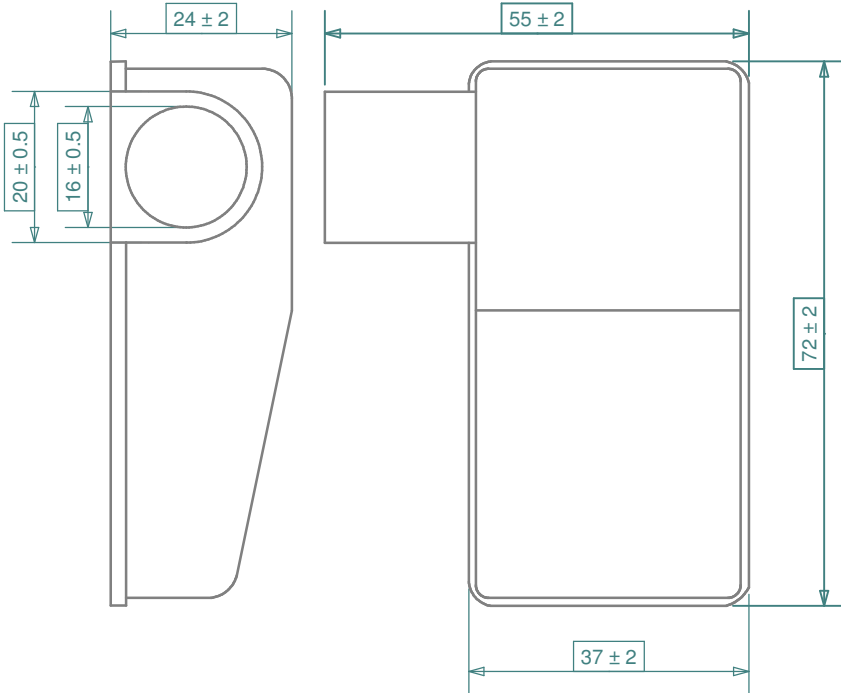
4

holder: HCF101

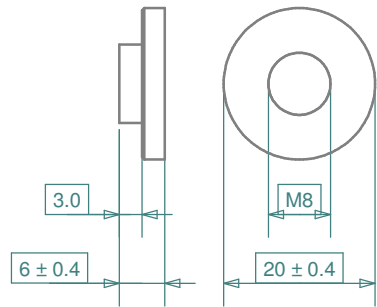


iMaXX ref.	Description
HCF101	Fuse holder for CF series cubeOTO fuse
	horizontal battery+ terminal connect M8
	insulating washer & self locking nut included, not mounted
HCF102	Insulating shoulder washer M8
HCF105L	Cover for HCF101, cable entry left
HCF105R	Cover for HCF101, cable entry right

cover: HCF105_



washer: HCF102



iMaXX ref.	Material
HCF101	Base: brass, Sn plated
	Bolts & nuts: steel, Zn plated
HCF102	Nylon, red
HCF105L	PVC, red
HCF105R	PVC, red

Revisions		Date	Appr.
Date	Type	Drawn	10/17 GRH
		Checked	10/17 AdH
		Standards	
		Approved	10/17 BE
		Scale	1 : 1
		Projection	Tolerance ± 0.2 mm unless otherwise noted
		Title	HCF101 series, cubeOTO fuse holder
		Drawing type	schematic
		Drawing number	HCF101 drawing 1
		Sheet	1 of 1
		Layers / Sheet	0 1 2 6



Sheet 01

1

2

3

4