

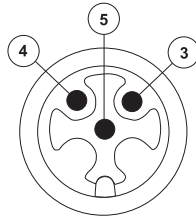


MICRO (M12), RST to VAD 1A - LED

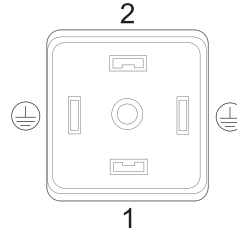
DIN 43650, Form A/ISO 4400, Varistor Voltage Protection, Connected to Protective Earth, Dual Ground, and IP 67 Rated - **EURO AC Color Code**

Poles: 2 + 2 Ground

FACE VIEWS



MICRO (M12)



CABLE TYPE

226

17

COLOR CODE

1 = BRN
2 = BUL
⊕ = GRN/YEL

1 = BRN
2 = BLU
⊕ = GRN/YEL

VOLTAGE

24V AC/DC

24V AC/DC

CURRENT RATING

4A

4A

OUTER JACKET

PUR/Halogen Free

PVC Irradiated

TYPE

PART NUMBER

MICRO (M12) to
DIN Form A

RST5-3-VAD 1A-1-3-226/xx

RST5-3-VAD 1A-1-3-17/xx

Standard Cable Lengths: 0.3m, 0.6m, 1m, 1.5m, and 2m



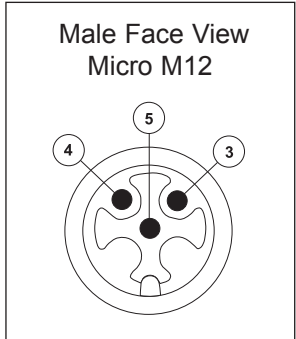
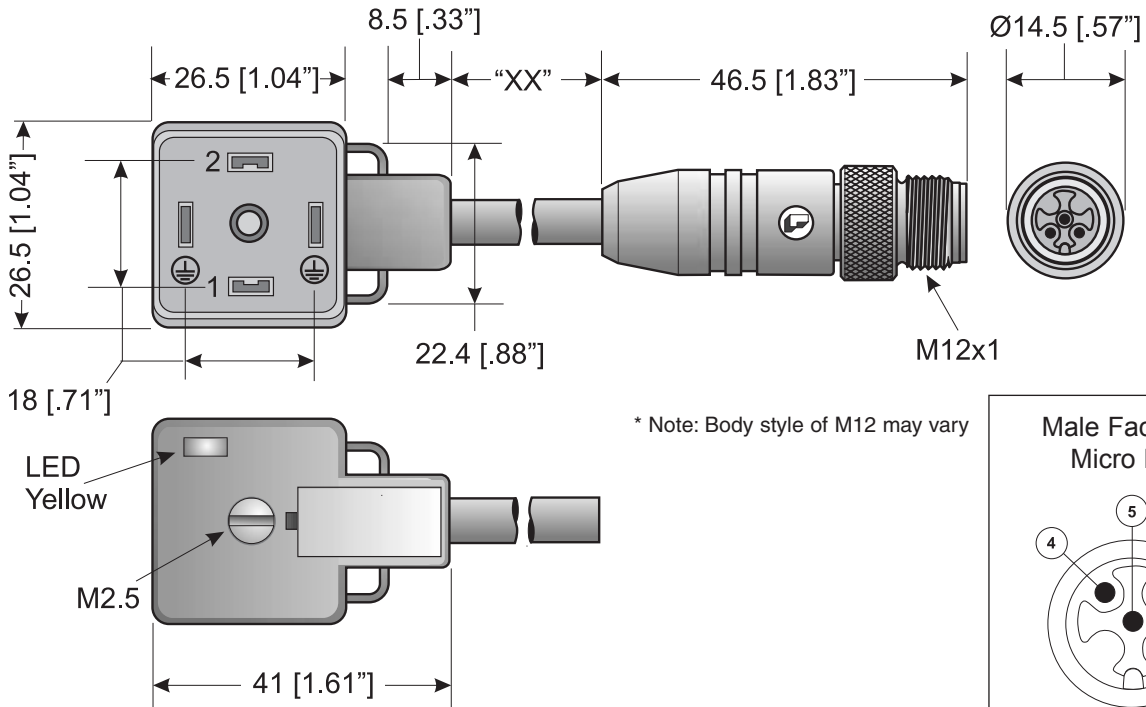
For Other Options, Contact Lumberg, Inc.

MICRO (M12), RST to VAD 1A - LED

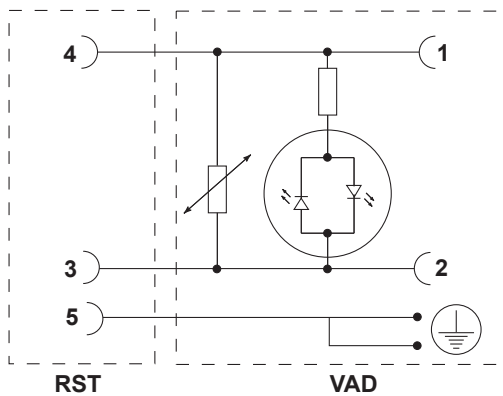
DIN 43650, Form A/ISO 4400, Varistor Voltage Protection,
 Connected to Protective Earth, Dual Ground, and IP 67 Rated -
EURO AC Color Code



Connector Dimensions



Wiring Diagram



Mechanical

Housing: PUR Transparent
 Cable: Outside Diameter for Type 226: PUR/HF 4.6mm
 Outside Diameter for Type 17: PVC Irradiated 5.0mm
 Conductors 3 x 0.50mm² (16 strands)

Micro Housing: Color: Black
 PUR

Electrical

Voltage Rating: 24V AC/DC
 Amperage: 4A

Environmental

Protection: IP67 Rated
 Operating Temp: -25°C to +90°C

DIN VALVE
Connectors