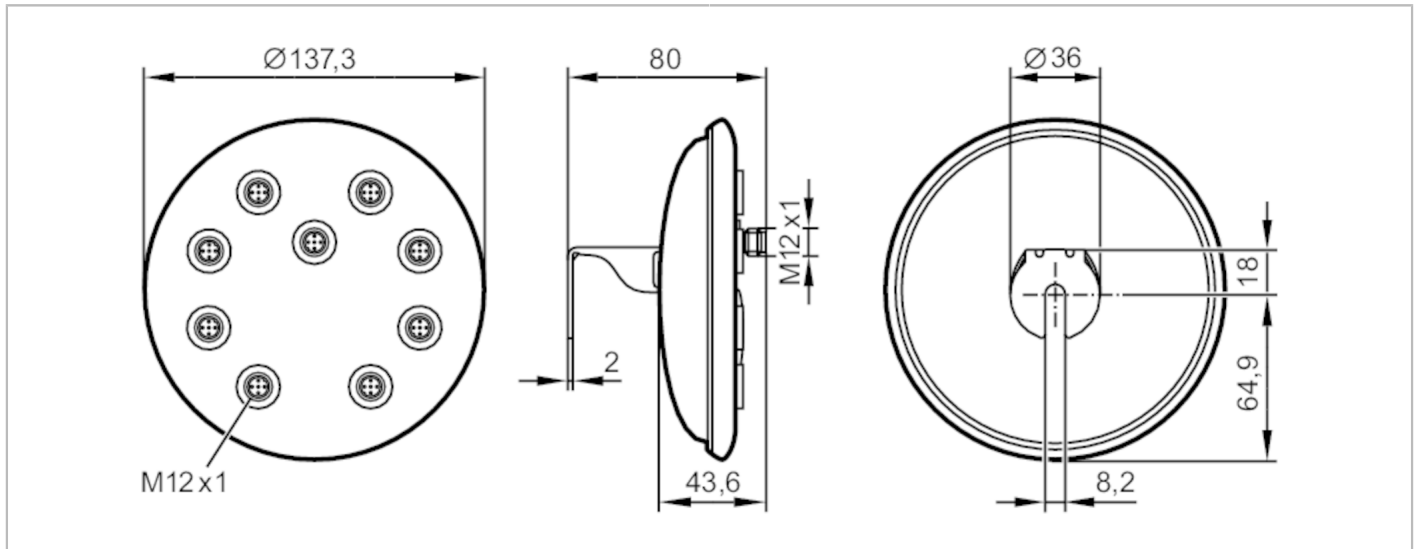


AC2900



AS-Interface ProcessLine module

ProcessLine 8 SB IP69K



Electrical data	
Operating voltage [V]	26.5...31.6 DC
Max. current load per module/slot [A]	4; (AS-i: 4 A; AUX: 4 A)
Additional voltage supply [V]	20...30 DC; (AUX)
Operating conditions	
Ambient temperature [°C]	-5...70
Protection	IP 68; IP 69K
Tests / approvals	
EMC	EN 50295
AS-i classification	
AS-i certificate pending	yes
Mechanical data	
Weight [g]	600.5
Dimensions [mm]	137.3 x 80 x 137.3
Materials	stainless steel; PC
Accessories	
Accessories (supplied)	Protective cap: M12, E70297
Accessories (optional)	Torque wrench, E70390
Remarks	
Pack quantity	1 pcs.



AS-Interface ProcessLine module

ProcessLine 8 SB IP69K

Electrical connection - plug

1	AS-i+
2	0 V
3	AS-i -
4	+24 V
5	functional earth

Connector: M12

